



Chipsmall Limited consists of a professional team with an average of over 10 year of expertise in the distribution of electronic components. Based in Hongkong, we have already established firm and mutual-benefit business relationships with customers from,Europe,America and south Asia,supplying obsolete and hard-to-find components to meet their specific needs.

With the principle of “Quality Parts,Customers Priority,Honest Operation,and Considerate Service”,our business mainly focus on the distribution of electronic components. Line cards we deal with include Microchip,ALPS,ROHM,Xilinx,Pulse,ON,Everlight and Freescale. Main products comprise IC,Modules,Potentiometer,IC Socket,Relay,Connector.Our parts cover such applications as commercial,industrial, and automotives areas.

We are looking forward to setting up business relationship with you and hope to provide you with the best service and solution. Let us make a better world for our industry!



Contact us

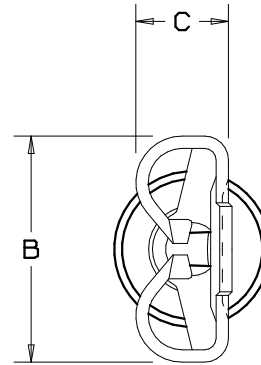
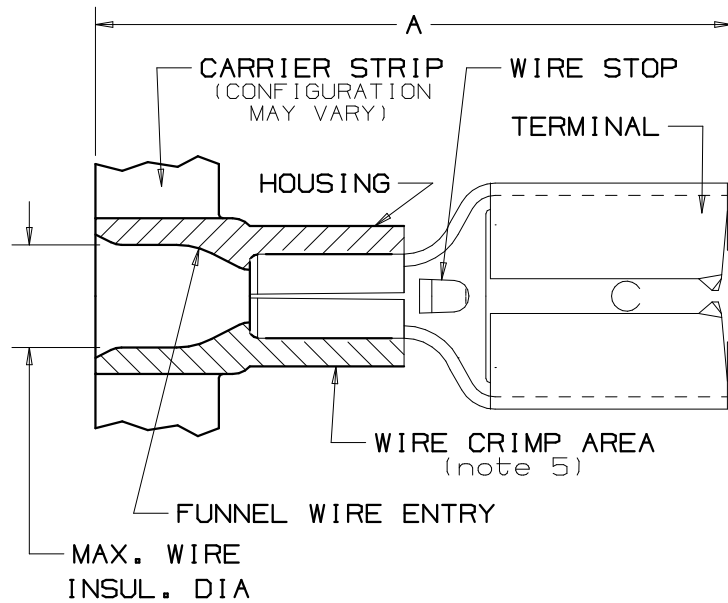
Tel: +86-755-8981 8866 Fax: +86-755-8427 6832

Email & Skype: info@chipsmall.com Web: www.chipsmall.com

Address: A1208, Overseas Decoration Building, #122 Zhenhua RD., Futian, Shenzhen, China



THIS COPY IS PROVIDED ON A RESTRICTED BASIS AND IS NOT TO BE USED IN ANY WAY DETRIMENTAL TO THE INTERESTS OF PANDUIT CORP.



UL
LISTED*
20H3
E78522

CSA
CERTIFIED*
LR31212

		PANDUIT PRESS					
		CP-851 <i>DISCONTINUED</i>	CP-860 <i>DISCONTINUED</i>	CP-861	CP-862	CP-871 60HZ	CP-871/E 50HZ
APPLICATORS	CA-800		X	X			
	CA-800EZ	X				X	X
	CA9				X	X	X


PART NUMBER	TAB SIZE	WIRE RANGE mm (AWG)	COLOR	MAX. INSUL.	DIMENSIONS mm.		
					A ^{±.08} (.03)	B ^{±.03} (.01)	C ^{±.03} (.01)
DMV1-63B-3K	6,3 X 0,8 (.250 X .032)	5-1,0 (22-18)	RED	4,06 (.160)	21,1 (.83)	7,4 (.29)	3,0 (.12)
DMV1-488B-3K	4,8 X 0,8 (.187 X .032)	5-1,0 (22-18)	RED	4,06 (.160)	18,8 (.74)	5,8 (.23)	2,5 (.10)
DMV1-485B-3K	4,8 X 0,5 (.187 X .020)	5-1,0 (22-18)	RED	4,06 (.160)	19,3 (.76)	5,8 (.23)	2,5 (.10)
DMV2-63B-3K	6,3 X 0,8 (.250 X .032)	1,5-2,5 (16-14)	BLUE	4,52 (.178)	21,1 (.83)	7,4 (.29)	3,0 (.12)
DMV2-488B-3K	4,8 X 0,8 (.187 X .032)	1,5-2,5 (16-14)	BLUE	4,52 (.178)	19,6 (.77)	5,3 (.23)	2,5 (.10)
DMV2-485B-3K	4,8 X 0,5 (.187 X .020)	1,5-2,5 (16-14)	BLUE	4,52 (.178)	19,6 (.77)	5,3 (.23)	2,5 (.10)
DMV6-63-2K*	6,3 X 0,8 (.250 X .032)	4,0-6,0 (12-10)	YELLOW	5,84 (.230)	24,1 (.95)	7,4 (.29)	3,0 (.12)

NOTES:

- UL LISTED AND CSA CERTIFIED FOR:
 - A. 600V MAX VOLTAGE RATING
 - B. 105°C (221°F) MAX TEMP RATING
 - C. AWG STRANDED COPPER WIRE ONLY
 - D. 26.4-53.7N INITIAL INSERTION/WITHDRAWAL FORCE
- PACKAGE QTY:
 - 2K=2000 PIECES, 3K=3000 PIECES
 - CONTINUOUS MOLDED STRIP CARRIER
- MATERIAL:
 - A. STAMPING-CDA 260 BRASS, TIN PLATED
 - B. HOUSING-PVC
- DIMENSIONS IN BRACKETS ARE IN INCHES
- PART NUMBER DMV6-63 IS CONSTRUCTED WITH BRASS SLEEVE IN WIRE CRIMP AREA
- WIRE STRIP LENGTH 7,1 ^{+.08}/₋₀ (9/32 ^{+1/32}/₋₀) (8,7 ^{+.08}/₋₀ (11/32 ^{+1/32}/₋₀) FOR DV6-63-2K)

* DMV6-63-2K NOT UL LISTED OR CSA CERTIFIED

A41623_03

03	3/06	DAW	DAW	ADDED PANDUIT PRESS & APPLICATOR CHART	TRO0083			 CORP. TINLEY PARK, ILLINOIS METRIC DISCO-FEMALE DISCONNECTS, VINYL INSULATED 6,3 X 0,8 4,8 X 0,8/0,5
02	2/05	KLFU	SKB	ADDED CP-862, CD9 & CA9 TO CHART				
01	7/98	TM	RLS	UPDATED WIRE RANGES AND PART NUMBERS	07035	DH	LA	
00	9/97	TM	WB	RELEASED	6192	DH	LA	
REV	DATE	BY	CHK	DESCRIPTION	ECN	PM	APP	DRAWN BY: TSMA CHK'D: WB SCALE: NONE DRAWING NO./CAD FILENAME: A41623