



Chipsmall Limited consists of a professional team with an average of over 10 year of expertise in the distribution of electronic components. Based in Hongkong, we have already established firm and mutual-benefit business relationships with customers from,Europe,America and south Asia,supplying obsolete and hard-to-find components to meet their specific needs.

With the principle of "Quality Parts,Customers Priority,Honest Operation,and Considerate Service",our business mainly focus on the distribution of electronic components. Line cards we deal with include Microchip,ALPS,ROHM,Xilinx,Pulse,ON,Everlight and Freescale. Main products comprise IC,Modules,Potentiometer,IC Socket,Relay,Connector.Our parts cover such applications as commercial,industrial, and automotives areas.

We are looking forward to setting up business relationship with you and hope to provide you with the best service and solution. Let us make a better world for our industry!



## Contact us

Tel: +86-755-8981 8866 Fax: +86-755-8427 6832

Email & Skype: info@chipsmall.com Web: www.chipsmall.com

Address: A1208, Overseas Decoration Building, #122 Zhenhua RD., Futian, Shenzhen, China



- 900 MHz RS-232C and RS-232C/RS-485 Serial Modems
- Optional 128-Bit AES Encryption
- Point-to-point, Point-to-multipoint, Peer-to-peer and Store & Forward Capabilities
- Frequency Hopping Spread Spectrum Transceiver
- 100 kbps RF Data Rate
- Transmitter Power up to 158 mW EIRP with 2 dBi Antenna
- FCC and Canadian IC Certified for Unlicensed Operation

The DN-90 series 900 MHz serial modems provide a low cost, ready-to-use solution for robust wireless data communications in the 900 MHz ISM band. There are currently two products in the DN-90 series, the DN-90G and the DN-90GI. The DN-90G provides an RS-232C serial interface. The DN-90GI offers a selectable RS-232C or two-wire, multi-drop RS-485 interface. DN-90 series modems are based on RFM's DNT90 frequency hopping spread spectrum (FHSS) transceiver, and can communicate with other DNT90-based modems and sensor nodes, as well as customer developed products. DN-90 series modems are supplied with a dipole antenna and a wall-plug power supply. DN-90 modems transmit data at 100 kbps. Each modem's output power can be set up to 158 mW EIRP using the supplied 2 dBi dipole antenna. DN-90 series modems are well-suited for sensor and data networks carrying moderate traffic that need robust communications in locations with non-ideal RF propagation and/or where RF interference or noise are present.

#### DN-90 Absolute Maximum Ratings

Rating	Value	Units
Power Supply Input Voltage Range	-0.5 to +24	V
Non-Operating Ambient Temperature Range	-40 to +85	°C

#### DN-90 Specifications

Characteristic	Sym	Notes	Minimum	Typical	Maximum	Units
Operating Frequency Range			902.76		927.24	MHz
Hop Dwell Time			8		100	ms
Number of RF Channels			25, 26 or 52			
Modulation			FSK			
RF Data Transmission Rate			100			kbps
Receiver Sensitivity @ 10 <sup>-5</sup> BER				-100		dBm
EIRP RF Output Power Level, 2 dBi Antenna					158	mW
Optimum Antenna Impedance				50		Ω
RF Connection			RSMA Coaxial Connector			
Network Topologies			Point-to-Point, Point-to-Multipoint, Peer-to-Peer and Store & Forward			
Access Schemes			Ad Hoc TDMA			
DN-90G RS-232C Configuration			9-pin connector, hardware flow control optional			
DN-90GI RS-232C Configuration			3-wire, no hardware flow control			
DN-90GI RS-485 Configuration			2-wire, multi-drop capable			

## DN-90 Series

## 900 MHz Wireless Serial Modems



**DN-90 Specifications**

Characteristic	Sym	Notes	Minimum	Typical	Maximum	Units
Serial Port Baud Rates			1.2, 2.4, 4.8, 9.6, 14.4, 19.2, 28.8, 38.4, 57.6, 115.2, 230.4			kbps
DC Power Supply Voltage Range	V <sub>CC</sub>		+9		+24	Vdc
Peak Transmit Mode Current, 158 mW EIRP					190	mA
Average Receive Mode Current:						
Base, Continuous Data Stream				139		mA
Remote, Linked, No Data				34		mA
Remote, Continuous Data Stream				44		mA
Nominal Dimensions			3.3 x 3.2 x 1 inches (84.6 x 82.0 x 25.4 mm)			
Mounting			Left and Right Flanges, Two Pre-drilled Holes in Each Flange			
Operating Temperature Range			-40		85	°C
Operating Relative Humidity Range, Non-condensing			10		90	%

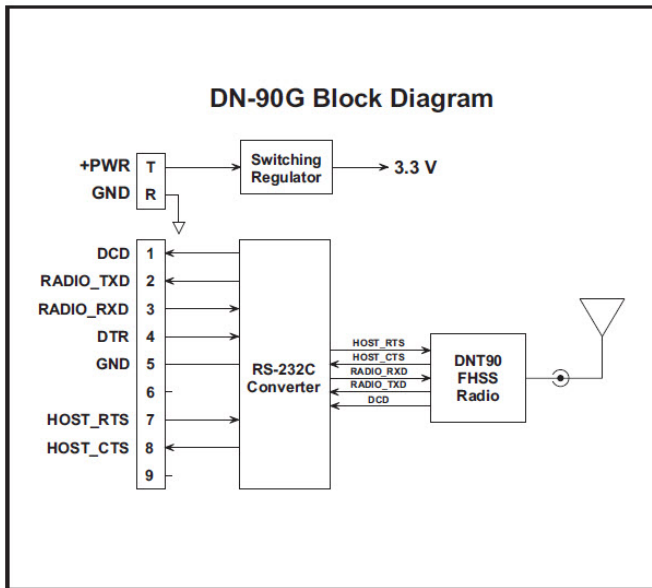


Figure 1

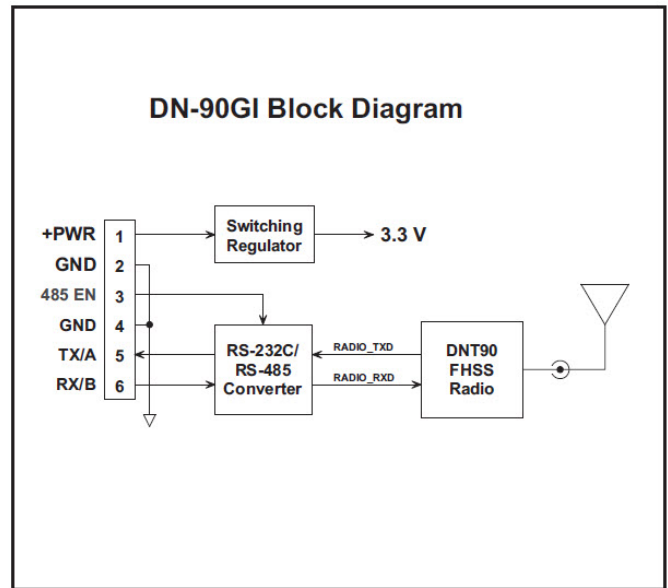


Figure 2

## DN-90 Series Modem Operation

The DN-90 series 900 MHz modems provide a low cost, ready-to-use solution for robust wireless data communications in the 900 MHz ISM band. There are currently two products in the DN-90 series, the DN-90G and the DN-90GI. The DN-90G provides an RS-232C serial interface with optional hardware flow control. The DN-90GI offers a selectable RS-232C three-wire interface or a two-wire, multi-drop RS-485 interface. DN-90 series modems are based on RFM's DNT90 frequency hopping spread spectrum (FHSS) transceiver, and can communicate with other DNT90-based modems and sensor nodes, as well as customer developed products.

DN-90 series modems are supplied with a reverse SMA dipole antenna and a universal wall-plug power supply. DN-90 modems transmit data at 100 kbps. The transmitter output power can be set up to 100 mW EIRP using the supplied 2 dBi dipole antenna.

Optional high gain directional and omni-directional antennas are available from Murata to extend operating range where allowed by local regulations.

DN-90 series modems are well-suited for sensor and data networks carrying moderate traffic that need robust communications in locations with non-ideal RF propagation and/or where RF interference or noise are present.

As shown in the block diagrams above, data to and from a DN-90G are routed through an RS232C signal converter, and in the case of a DN-90GI are routed through an RS-232C/RS-485 signal converter. When terminal 3 is left unconnected on the DN-90GI, serial communication is 3-wire RS-232C. When terminal 3 is connected to terminal 2 or 4, serial communication is 2-wire, multi-drop capable RS-485.

The switching regulator used in all DN-90 modems supports a wide voltage range on the DC power input, from 9 to 24 Vdc.

DN-90 serial modems can operate in point-to-point, point-to-multipoint, peer-to-peer and store & forward DNT90-based wireless networks.

## DN-90G Power Connector Description

Ref	Name	I/O	Description
T	+PWR	I	The center coaxial conductor (tip) is the positive DC power input.
R	GND	-	The outer coaxial conductor (ring) is the DC power ground.

## DN-90G Serial Port Connector Description

Pin	Name	I/O	Description
1	DCD	O	This pin is an output indicating the modem is linked to the radio network.
2	RADIO_TXD	O	This pin is the DN-90G serial data output.
3	RADIO_RXD	I	This pin is the DN-90G serial data input.
4	DTR	I	This pin is the data terminal ready input from the DN-90G host.
5	GND	-	This pin is signal ground.
6	-	-	No connection.
7	HOST_RTS	I	This pin is the request to send input from the DN-90G host.
8	HOST_CTS	O	This pin is the clear to send output from the DN-90G.
9	-	-	No connection.

## DN-90GI DC Power/Serial Port Terminal Block Description

Pin	Name	I/O	Description
1	+PWR	I	This terminal is the positive power supply input, +9 to +24 V.
2	GND	-	This terminal is a power supply and signal ground.
3	485 EN	I	When this terminal is unconnected, serial operation is RS-232C. When this terminal is grounded to terminal 2 or 4, serial operation is RS-485.
4	GND	-	This terminal is a power supply and signal ground.
5	TX/A	O	This terminal transmits data to the host (RS-232C TxD or RS-485 A signal).
6	RX/B	I	This terminal receives data from the host (RS-232C RxD or RS-485 B signal).

## DN-90G/GI LED Indicator Description

Ref	Name	I/O	Description
1	ACTIVITY	O	Left-most LED on the front of the unit, amber, indicates RF communications activity.
2	LINK	O	Middle LED on the front of the unit, red. On a base, this LED indicates one or more remotes are linked to it. On a remote, this LED indicates it is linked to the base.
3	POWER	O	Right-most LED on the front of the unit, green, indicates the unit is powered up.

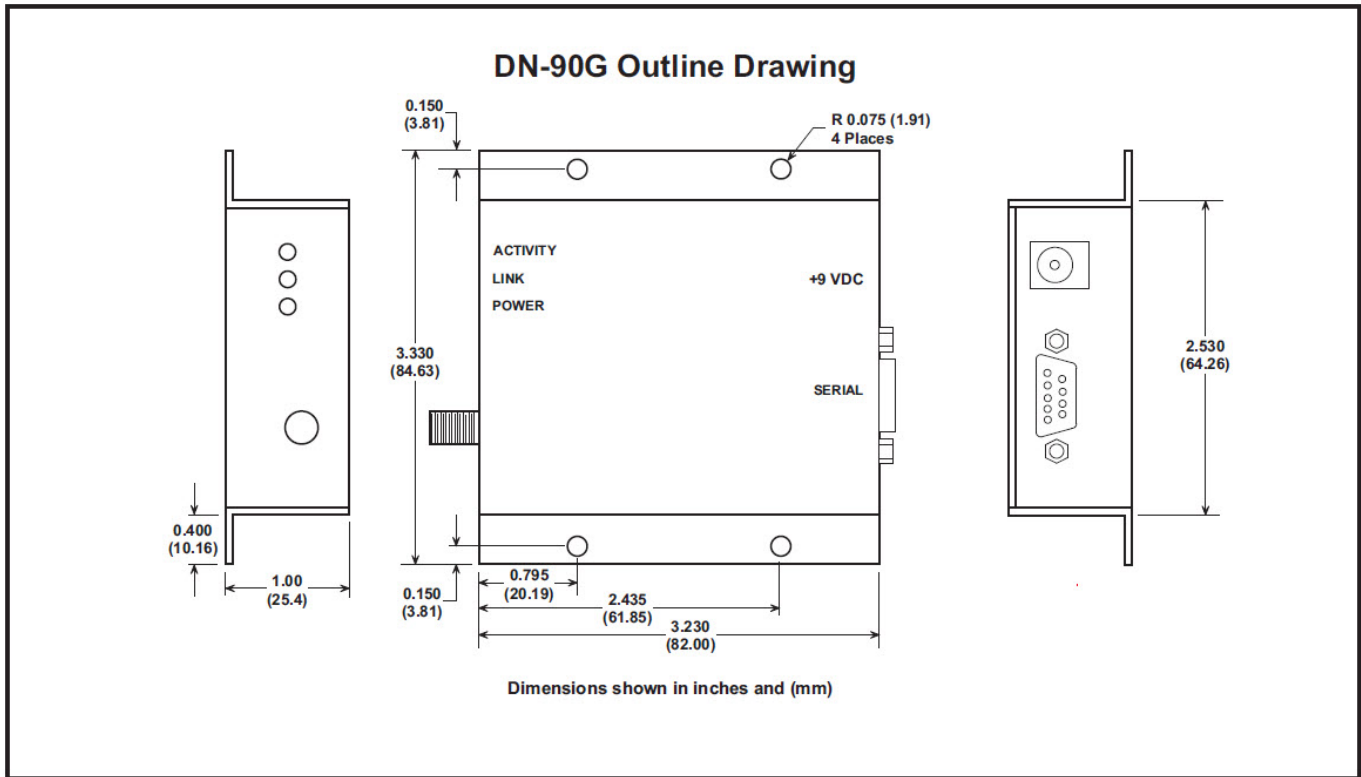


Figure 3

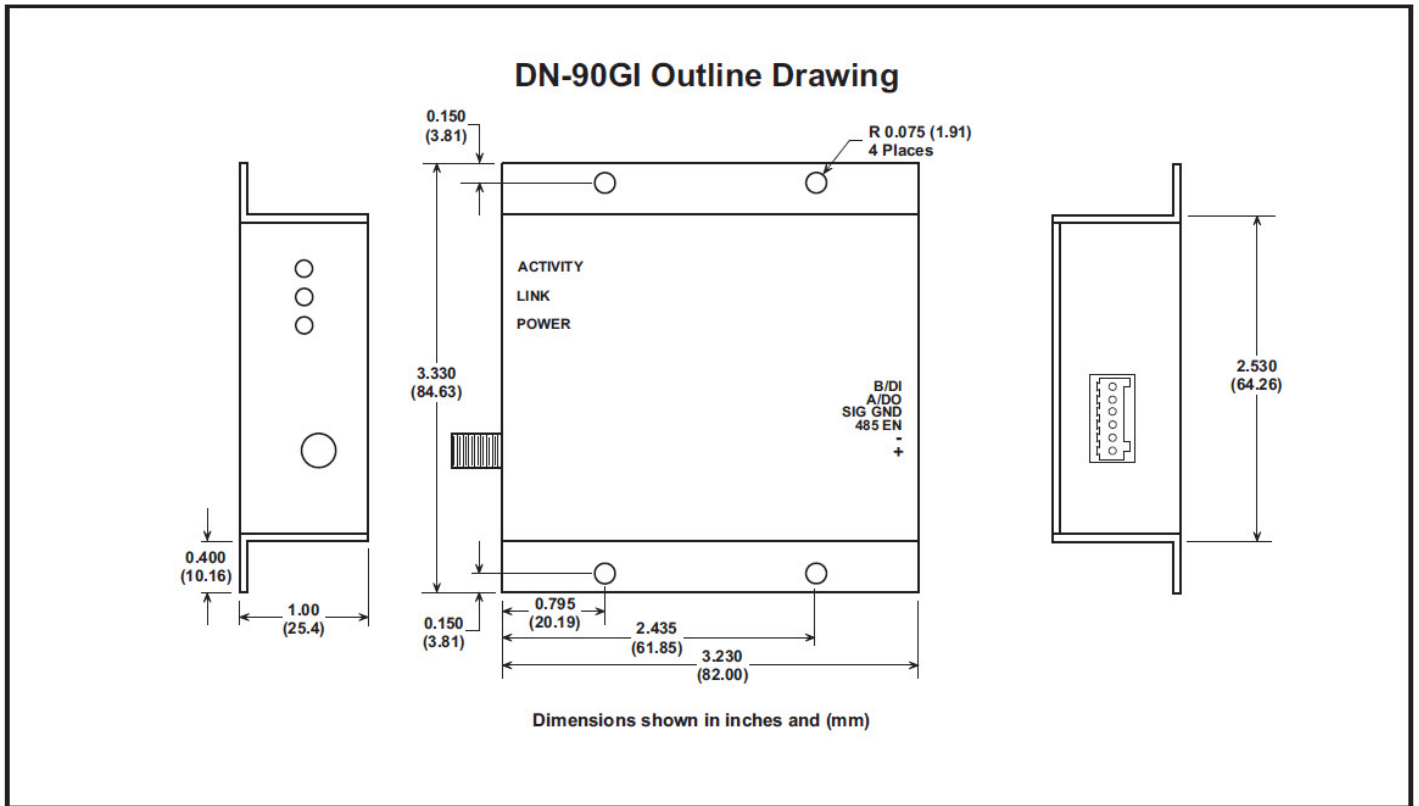


Figure 4

Note: Specifications subject to change without notice.