



Chipsmall Limited consists of a professional team with an average of over 10 year of expertise in the distribution of electronic components. Based in Hongkong, we have already established firm and mutual-benefit business relationships with customers from,Europe,America and south Asia,supplying obsolete and hard-to-find components to meet their specific needs.

With the principle of “Quality Parts,Customers Priority,Honest Operation,and Considerate Service”,our business mainly focus on the distribution of electronic components. Line cards we deal with include Microchip,ALPS,ROHM,Xilinx,Pulse,ON,Everlight and Freescale. Main products comprise IC,Modules,Potentiometer,IC Socket,Relay,Connector.Our parts cover such applications as commercial,industrial, and automotives areas.

We are looking forward to setting up business relationship with you and hope to provide you with the best service and solution. Let us make a better world for our industry!



Contact us

Tel: +86-755-8981 8866 Fax: +86-755-8427 6832

Email & Skype: info@chipsmall.com Web: www.chipsmall.com

Address: A1208, Overseas Decoration Building, #122 Zhenhua RD., Futian, Shenzhen, China



Signature	Revision History	Date	Rev.
G.Chen	Release DIGITUS format drawing	May/04,2011	01

1

2

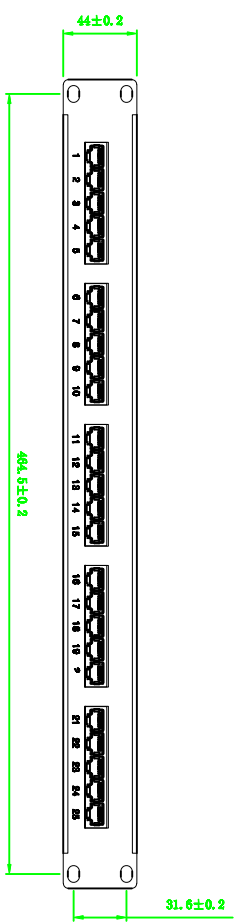
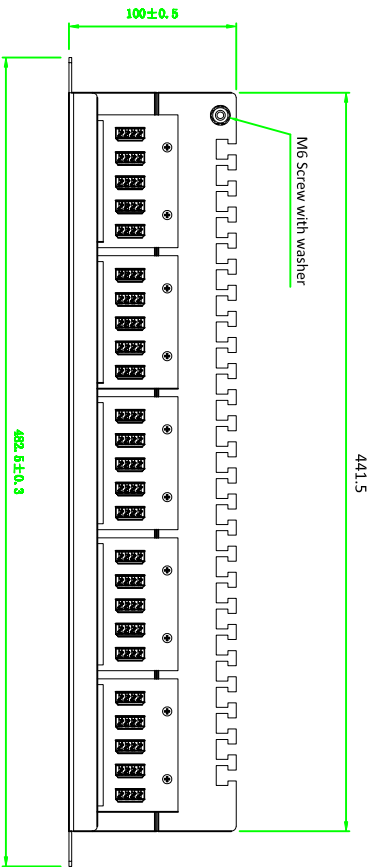
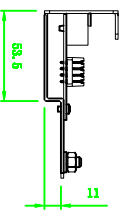
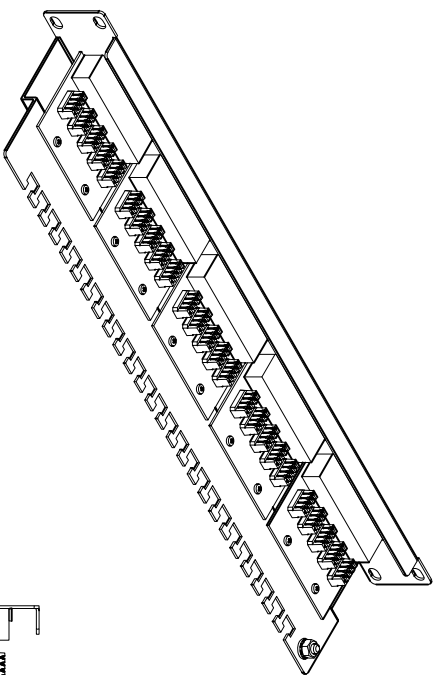
3

4

5

6

7



Specification:

Material:

1. Panel: SPCC, 1.5mm Thickness with Black or Grey color painted.
2. RJ45 Jack:

 - 2-1. Housing: PBT, UL 94V-0.
 - 2-2. Contact Bracket: PBT, UL 94V-0.

3. RJ45 Jack Contact:

 - 3-1. Material: Phosphor Bronze with Nickel plated.
 - 3-2. Finish: 6 micro-inch Gold plated on plug contact area.

4. IDC: KRONE Type

 - 4-1. Housing PC, UL 94V-0.f
 - 4-2. Terminal: Phosphor Bronze with Tin plated.

5. PCB: FR4, 1.6mm thickness, UL 94V-0.

Performance:

- A. Contact Resistance: Normal Barometric no more than 2.5MΩ
 B. Insulation Resistance: Normal Barometric no more than 1000MΩ
 C. Dielectric Strength: DC 1000V (AC 700V), No Arc-over & Puncture in one minute
 D. Life(mating cycles):
 * Jack: 750 cycles min. (ISO/IEC 11801, IEC 60603-7-5)
 * IDC: 200 cycles min. Suitable for wire diameter 0.4-0.6mm, compatible with Krone punch down tool
 E. Accessories:
 Drain wire: Length 280mm, Dia:3.5mm, M6 screw with washer
 Mount screws: 8# * 4, 10# * 4
 F. Panel printed with DIGITUS professional logo, each pcs packed in DIGITUS gift-box

1

2

3

4

5

6

7

Part No.		DN-91325-1	
Drawn By	May 4, 2011	Name	G.Chen
Checked By	May 4, 2011	Approved By	Andreas.N
Title:		DIGITUS CAT.3 ISDN PATCH PANEL 25 PORTS RJ45 SOCKET USA 1U	



Scale	N/A	Sheet	1/1
Unit	MM		

57802380

H

G

F

E

D

C

B

A