



Chipsmall Limited consists of a professional team with an average of over 10 year of expertise in the distribution of electronic components. Based in Hongkong, we have already established firm and mutual-benefit business relationships with customers from,Europe,America and south Asia,supplying obsolete and hard-to-find components to meet their specific needs.

With the principle of “Quality Parts,Customers Priority,Honest Operation,and Considerate Service”,our business mainly focus on the distribution of electronic components. Line cards we deal with include Microchip,ALPS,ROHM,Xilinx,Pulse,ON,Everlight and Freescale. Main products comprise IC,Modules,Potentiometer,IC Socket,Relay,Connector.Our parts cover such applications as commercial,industrial, and automotives areas.

We are looking forward to setting up business relationship with you and hope to provide you with the best service and solution. Let us make a better world for our industry!



Contact us

Tel: +86-755-8981 8866 Fax: +86-755-8427 6832

Email & Skype: info@chipsmall.com Web: www.chipsmall.com

Address: A1208, Overseas Decoration Building, #122 Zhenhua RD., Futian, Shenzhen, China

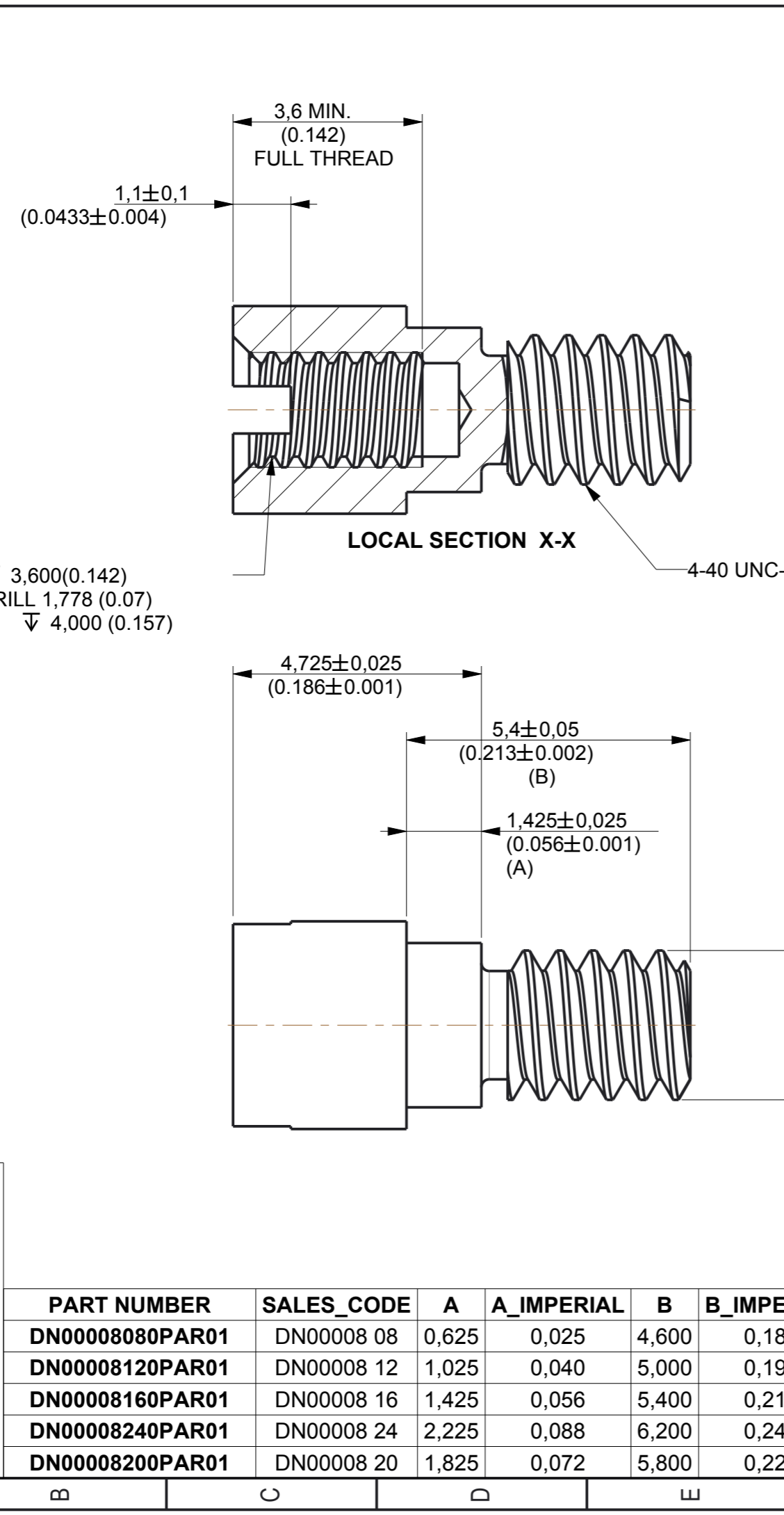


7
6
5
4
3
2
1

DN000080000R01_CUST

RELEVANT SPEC.	SHT	1	OF	1
NA	EX No.	10688-01		
PROJ MODEL FILE	DN000080000R01			

IF IN DOUBT - ASK
ALL DIMENSIONS ARE IN mm



NOTES:

- DIMENSIONS ARE FOR REFERENCE ONLY. IMPERIAL DIMENSIONS SHOWN IN PERENTHESIS.
- CUSTOMER DRAWING ONLY. NOT USED FOR CINCH MANUFACTURE.

MATERIAL SPECIFICATIONS:

- JACKPOST: >303SS< PASSIVATE DIP PER SAE-AMS-QQ-P-35.

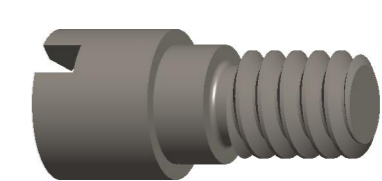
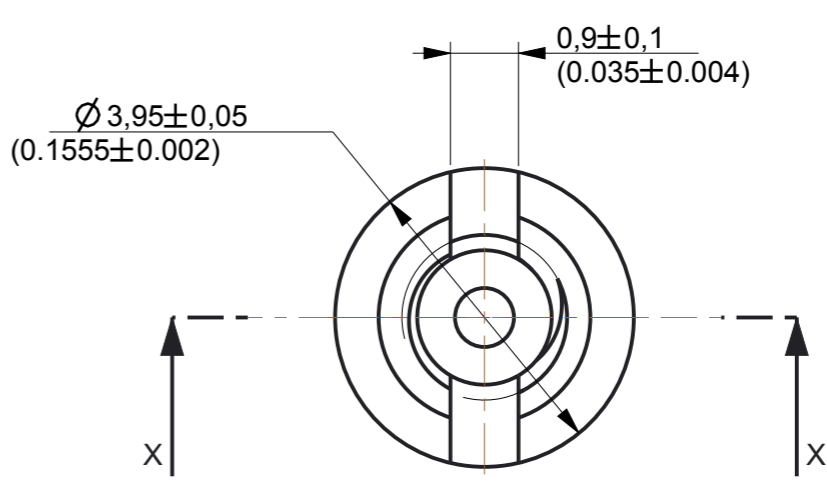
GENERAL SPECIFICATIONS:

- FOR ALL OTHER DETAILS AND DIMENSIONS SEE CINCH DURA-CON HERMETIC CATALOGUE.

ISSUE GROUPS
B



PART NUMBER	SALES_CODE	A	A_IMPERIAL	B	B_IMPERIAL	DESCRIPTION2
DN00008080PAR01	DN00008 08	0,625	0,025	4,600	0,181	2-56UNC REAR PNL J/POST (0.8)
DN00008120PAR01	DN00008 12	1,025	0,040	5,000	0,197	2-56UNC REAR PNL J/POST (1.2)
DN00008160PAR01	DN00008 16	1,425	0,056	5,400	0,213	2-56UNC REAR PNL J/POST (1.6)
DN00008240PAR01	DN00008 24	2,225	0,088	6,200	0,244	2-56UNC REAR PNL J/POST (2.4)
DN00008200PAR01	DN00008 20	1,825	0,072	5,800	0,228	2-56UNC REAR PNL J/POST (2.0)



SCALE 5,000

THIS DRAWING IS COPYRIGHT AND IS ISSUED ON CONDITION IT IS NOT COPIED, REPRODUCED OR DISCLOSED TO A THIRD PARTY WITHOUT THE CONSENT IN WRITING OF Cinch CONNECTIVITY SOLUTIONS LTD. ATTENTION IS DRAWN TO THE FACT THE ARTICLE DISCLOSED MAY BE COVERED BY BRITISH OR FOREIGN PATENTS, GRANTED OR PENDING OR REGISTERED DESIGN.

APPD		DATE		NPNR ECN		ISSUE	
GEN. TOLERANCES		2 DEC. PL.		1 DEC. PL.		0 DEC. PL.	
		± 0.1	± 0.2	± 0.5			
TITLE		ANGULAR		TOOL R. MAX.			
REAR PANEL MOUNTING JACKPOST		± 1		0.18			
HARDWARE		MATERIAL SPECIFICATION		RAW MATL.			
DRN		M.BARRACLOUGH		DATE		SCALE	
				30-Jan-09		10,000	
CHD		APPD		NOT		NOT	
FINISHED HARDNESS		FINISH TREATMENT		COLOUR			

CODE	DESCRIPTION	ITEM	FINISH/MATL	QTY
	2-56UNC REAR PANEL JACKPOST	2		1
	2-56UNC REAR PANEL JACKPOST	1		1