



Chipsmall Limited consists of a professional team with an average of over 10 year of expertise in the distribution of electronic components. Based in Hongkong, we have already established firm and mutual-benefit business relationships with customers from,Europe,America and south Asia,supplying obsolete and hard-to-find components to meet their specific needs.

With the principle of “Quality Parts,Customers Priority,Honest Operation,and Considerate Service”,our business mainly focus on the distribution of electronic components. Line cards we deal with include Microchip,ALPS,ROHM,Xilinx,Pulse,ON,Everlight and Freescale. Main products comprise IC,Modules,Potentiometer,IC Socket,Relay,Connector.Our parts cover such applications as commercial,industrial, and automotives areas.

We are looking forward to setting up business relationship with you and hope to provide you with the best service and solution. Let us make a better world for our industry!



Contact us

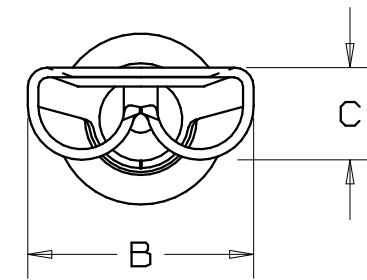
Tel: +86-755-8981 8866 Fax: +86-755-8427 6832

Email & Skype: info@chipsmall.com Web: www.chipsmall.com

Address: A1208, Overseas Decoration Building, #122 Zhenhua RD., Futian, Shenzhen, China

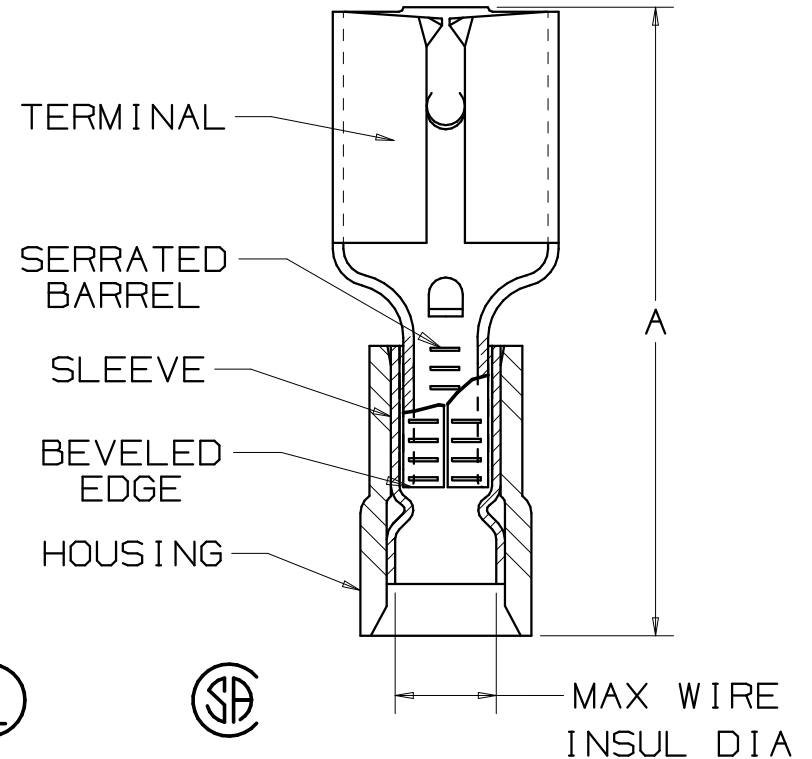


PART NUMBER		TAB SIZE	WIRE RANGE AWG (mm ²)	HOUSING COLOR	MAX INSUL DIA	DIMENSIONS in		
PREFIX	PKG					A ±.03 (0.8)	B ±.01 (0.3)	C ±.01 (0.3)
DNF18-205	-C -M	.187/.205 X .032 (4.8/5.2 X 0.8)	22-18 (.5-1.0)	RED	.137 (3.48)	.76 (19.3)	.25 (6.4)	.12 (3.0)
DNF14-205	-C -M	.187/.205 X .032 (4.8/5.2 X 0.8)	16-14 (1.5-2.5)	BLUE	.162 (4.11)	.76 (19.3)	.25 (6.4)	.12 (3.0)



NOTES:

- UL LISTED AND CSA CERTIFIED FOR:
 - A. 300V. MAX. VOLTAGE RATING
 - B. STRANDED COPPER WIRE ONLY
 - C. 194° F (90° C) MAX. TEMP. RATING
- PACKAGE QTY: STD. PKG. -C= 100
BULK PKG. -M= 1000
- MATERIAL:
 - A. STAMPING: .016 (0.41) THK BRASS, TIN PLATED
 - B. SLEEVE: BRASS, TIN PLATED
 - C. HOUSING: NYLON
- WIRE STRIP LENGTH $9/32 \begin{matrix} +1/32 \\ -0 \end{matrix}$ ($7.1 \begin{matrix} +0.8 \\ -0 \end{matrix}$)
- INITIAL INSERTION FORCE - 12 LB. (53 N) MAX
INITIAL WITHDRAWAL FORCE - 12 LB. (53 N) MAX
6 LB. (27 N) MIN
- INSTALLATION TOOLS:
 - A. UL LISTED AND CSA CERTIFIED: CT-500
 - B. PANDUIT APPROVED: CT-100, CT-160, CT-260, CT-400, CT-460 (DNF14-187 ONLY), CT-550, CT-1550, CT-1551.



LISTED
20H3
E78522



CERTIFIED
LR31212

A41585_03

03	2/07	DAW	DAW	ADDED DUALTAB SIZE INFORMATION	TRO0210	LCA	TRO	<p>TINLEY PARK, ILLINOIS</p> <p>NYLON INSULATED FEMALE DISCONNECT, FUNNELED WIRE ENTRY (.205 SERIES)</p>
02	7/03	KLFU	SKB	ADDED INTERNAL SERRATIONS REMOVED SLOTS	12453	SKB	TRO	
01	1/01	RM	SKB	FILESPEC WAS N41585AA_PCD_00	8933	JAC	CCH	
00	1/96	ED		RELEASED	03870			
REV	DATE	BY	CHK	DESCRIPTION	ECN #	CUST	PM	DRAWN BY EJD CHK'D SCALE NONE DRAWING NO. A41585