



Chipsmall Limited consists of a professional team with an average of over 10 year of expertise in the distribution of electronic components. Based in Hongkong, we have already established firm and mutual-benefit business relationships with customers from,Europe,America and south Asia,supplying obsolete and hard-to-find components to meet their specific needs.

With the principle of “Quality Parts,Customers Priority,Honest Operation,and Considerate Service”,our business mainly focus on the distribution of electronic components. Line cards we deal with include Microchip,ALPS,ROHM,Xilinx,Pulse,ON,Everlight and Freescale. Main products comprise IC,Modules,Potentiometer,IC Socket,Relay,Connector.Our parts cover such applications as commercial,industrial, and automotives areas.

We are looking forward to setting up business relationship with you and hope to provide you with the best service and solution. Let us make a better world for our industry!



Contact us

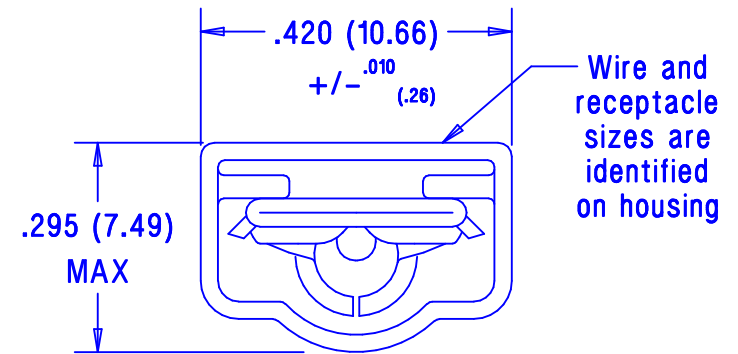
Tel: +86-755-8981 8866 Fax: +86-755-8427 6832

Email & Skype: info@chipsmall.com Web: www.chipsmall.com

Address: A1208, Overseas Decoration Building, #122 Zhenhua RD., Futian, Shenzhen, China

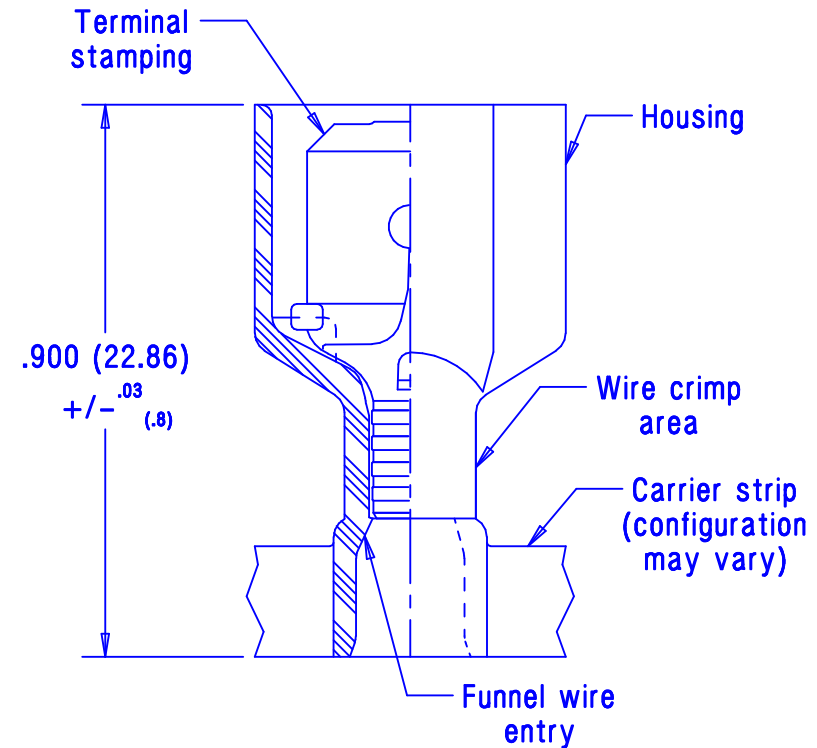


Part number	Wire range AWG	Color	Maximum insulation diameter	PRESSES & APPLICATORS:
				CP-861, CP-860, CP-851, CP-862 CA-800 & CA9
				CRIMP DIES:
DNF18-250FIM-2K	22-18 (0,5-1,0)	Red	.133 (3.38)	CD-800-4, CA9-4B
DNF14-250FIM-2K	16-14 (1,5-2,5)	Blue	.158 (4.01)	CD800-5, CA9-5B



Notes:

- Used for:
 - 600 V maximum rating
 - 221°F (105°C) maximum temperature rating (CSA)
 - 257°F (125°C) maximum temperature rating (UL)
 - Stranded copper wire only
- Wire strip length: $9/32^{+1/32}_{-0}$ (7.1⁺⁸₋₀)
- Material:
 - Stamping - .016 thick nickel plated brass
 - Housing - Nylon
- Package quantity:
 - 2K = 2000 pieces on continuously molded carrier strip
- Dimensions in brackets are in millimeters or mm²



A41104_08

08	12/03	KLFU		UPDATED WIRE RANGE ON DNF18 FROM 1.5 TO 1.0 CLARIFIED TOOLING CHART	11363		
07	1/01	SAB	--	FILESPEC WAS N41104AA_PCD_06	--	--	--
06	7/99	ED	SKB	ADDED CP-862 & CA9	07848	TRO	JCJ
05	1/99	JD	JW	Material was tin plated.	07402	LD	LCA
REV	DATE	BY	CHK	DESCRIPTION	ECN	PM	CUST



TINLEY PARK, ILLINOIS

Disco™ Termo™ fully insulated male disconnects
.250 X .032 Tab size

DRAWN BY	CHK'D	SCALE	DRAWING NO./CAD FILENAME
DSM	LM	NONE	A41104