



Chipsmall Limited consists of a professional team with an average of over 10 year of expertise in the distribution of electronic components. Based in Hongkong, we have already established firm and mutual-benefit business relationships with customers from,Europe,America and south Asia,supplying obsolete and hard-to-find components to meet their specific needs.

With the principle of “Quality Parts,Customers Priority,Honest Operation,and Considerate Service”,our business mainly focus on the distribution of electronic components. Line cards we deal with include Microchip,ALPS,ROHM,Xilinx,Pulse,ON,Everlight and Freescale. Main products comprise IC,Modules,Potentiometer,IC Socket,Relay,Connector.Our parts cover such applications as commercial,industrial, and automotives areas.

We are looking forward to setting up business relationship with you and hope to provide you with the best service and solution. Let us make a better world for our industry!



## Contact us

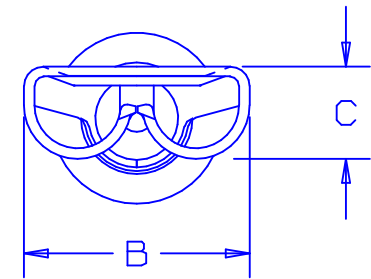
Tel: +86-755-8981 8866 Fax: +86-755-8427 6832

Email & Skype: info@chipsmall.com Web: www.chipsmall.com

Address: A1208, Overseas Decoration Building, #122 Zhenhua RD., Futian, Shenzhen, China

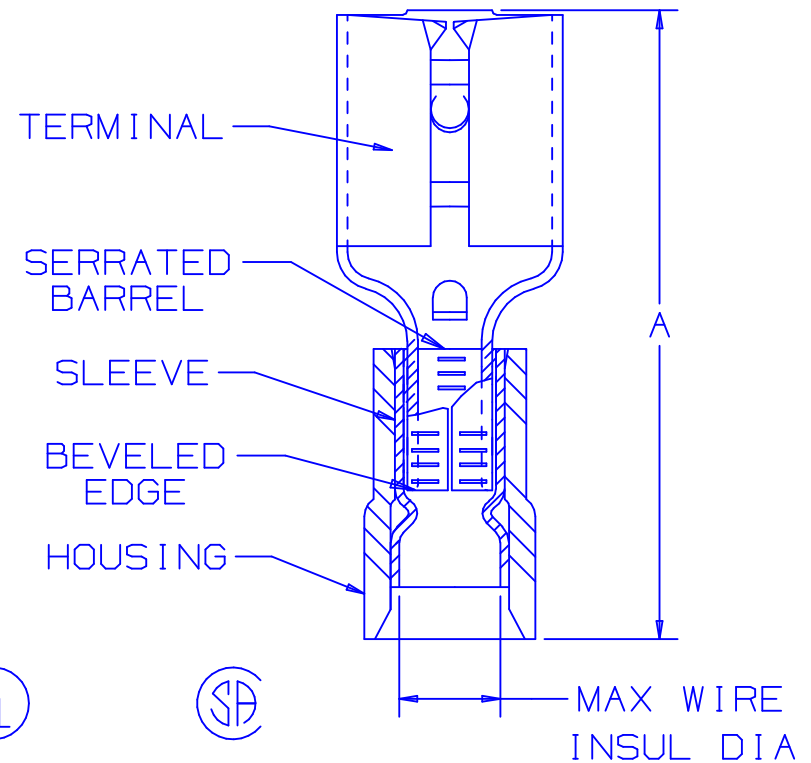


PART NUMBER		TAB SIZE	WIRE RANGE AWG (mm <sup>2</sup> )	HOUSING COLOR	MAX INSUL DIA	DIMENSIONS in		
PREFIX	PKG					A $\pm .03$ (0.8)	B $\pm .01$ (0.3)	C $\pm .01$ (0.3)
DNF18-187	-C -M	.187 x .032 (4.8 x 0.8)	22-18 (.05-1.0)	RED	.137 (3.48)	.76 (19.3)	.23 (5.8)	.10 (2.5)
DNF14-187	-C -M	.187 x .032 (4.8 x 0.8)	16-14 (1.5-2.5)	BLUE	.162 (4.11)	.76 (19.3)	.23 (5.8)	.10 (2.5)



NOTES:

- UL LISTED AND CSA CERTIFIED FOR:
  - A. 300V. MAX. VOLTAGE RATING
  - B. STRANDED COPPER WIRE ONLY
  - C. 194° F (90° C) MAX. TEMP. RATING
- PACKAGE QTY: STD. PKG. -C= 100  
BULK PKG. -M= 1000
- MATERIAL:
  - A. STAMPING: .016 (0.41) THK BRASS, TIN PLATED
  - B. SLEEVE: BRASS, TIN PLATED
  - C. HOUSING: NYLON
- WIRE STRIP LENGTH  $9/32 \begin{matrix} +1/32 \\ -0 \end{matrix}$  (7.1  $\begin{matrix} +0.8 \\ -0 \end{matrix}$ )
- INITIAL INSERTION FORCE - 12 LB. (53 N) MAX  
INITIAL WITHDRAWAL FORCE - 12 LB. (53 N) MAX  
6 LB. (27 N) MIN
- INSTALLATION TOOLS:
  - A. UL LISTED AND CSA CERTIFIED: CT-500
  - B. PANDUIT APPROVED: CT-100, CT-160, CT-260, CT-400, CT-460 (FOR DNF14-187 ONLY)  
CT-1550, CT-1551
- DIMENSIONS IN BRACKETS ARE IN MILLIMETERS OR mm<sup>2</sup>



LISTED  
20H3  
E78522



CERTIFIED  
LR31212

A41312\_06

06	7/03	KLFU		ADD INTERNAL SERRATION, RMVD SLOTS, WIRE RANGE FROM .38-.5					
05	1/01	RM	SKB	FILESPEC WAS N41312AA_PCD_04	08925		JAC	CCH	
04	3/99	JKD		ADDED CT-1551 & CT-1550 TOOLS	07632				
03	8/95	BK	RLS	CORRECTED TAB SIZE	03549		LCA	DBH	
REV	DATE	BY	CHK	DESCRIPTION	ECN #	QA	CUST	PM	APP

**PANDUIT**

CORP.

TINLEY PARK, ILLINOIS

NYLON INSULATED FEMALE DISCONNECT,  
FUNNELED WIRE ENTRY (.187 SERIES)

DRAWN BY	CHK'D	SCALE	DRAWING NO.
DAW	CH	NONE	A41312