



Chipsmall Limited consists of a professional team with an average of over 10 year of expertise in the distribution of electronic components. Based in Hongkong, we have already established firm and mutual-benefit business relationships with customers from,Europe,America and south Asia,supplying obsolete and hard-to-find components to meet their specific needs.

With the principle of "Quality Parts,Customers Priority,Honest Operation,and Considerate Service",our business mainly focus on the distribution of electronic components. Line cards we deal with include Microchip,ALPS,ROHM,Xilinx,Pulse,ON,Everlight and Freescale. Main products comprise IC,Modules,Potentiometer,IC Socket,Relay,Connector.Our parts cover such applications as commercial,industrial, and automotives areas.

We are looking forward to setting up business relationship with you and hope to provide you with the best service and solution. Let us make a better world for our industry!



## Contact us

Tel: +86-755-8981 8866 Fax: +86-755-8427 6832

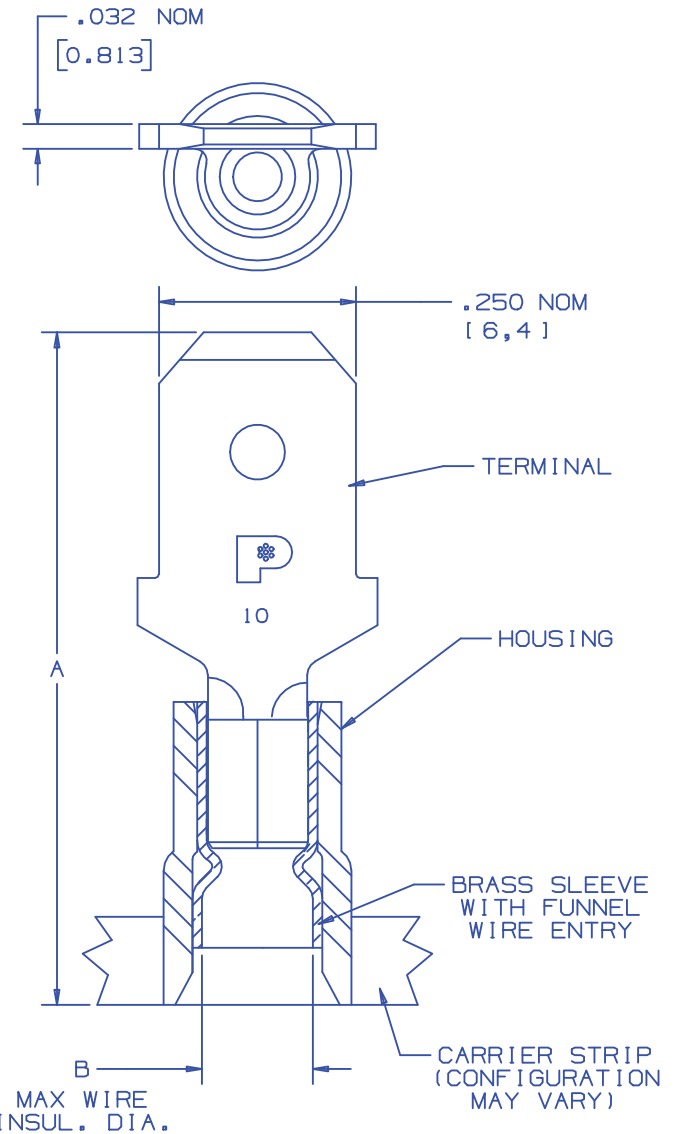
Email & Skype: info@chipsmall.com Web: www.chipsmall.com

Address: A1208, Overseas Decoration Building, #122 Zhenhua RD., Futian, Shenzhen, China



THIS COPY IS PROVIDED ON A RESTRICTED BASIS AND IS NOT TO BE USED IN ANY WAY DETRIMENTAL TO THE INTERESTS OF PANDUIT CORP.

PART NUMBER		TAB SIZE	WIRE RANGE AWG (mm <sup>2</sup> )	DIMENSIONS		HOUSING COLOR	TOOL CHART RECOMMENDED PRESSES CP-861, CP-860 CP-851, CP-862 CA-800/CA9 DIE INSERTS
PREFIX	PK			A <sup>±.030</sup>	B <sup>MAX</sup>		
DNF18-250M	-3K	.250 X .032 (6.3 X 0.8)	22-18 (0,5-1,0)	.90 (22,9)	.145 (3,68)	RED	CD-800-1 CA9-1A
DNF14-250M	-3K	.250 X .032 (6.3 X 0.8)	16-14 (1,5-2,5)	.90 (22,9)	.162 (4,11)	BLUE	CD-800-2 CA9-2A
DNF10-250M	-2K	.250 X .032 (6.3 X 0.8)	12-10 (4,0-6,0)	.95 (24,1)	.225 (5,72)	YELLOW	CD-800-3 CA9-3B



NOTES:

- USED FOR:
  - A. 600V MAX. VOLTAGE RATING.
  - B. 105° C (221°F) MAX. TEMP. RATING
  - C. STRANDED COPPER WIRE ONLY.
- PACKAGE QTY:
  - 3K = 3000 PC. REEL
  - 2K = 2000 PC. REEL
- MATERIAL:
  - A. STAMPING: COPPER, NICKEL PLATED
  - B. HOUSING: TYPE 6/6 NYLON
- WIRE STRIP LENGTH:  $9/32 \begin{matrix} +1/32 \\ -0 \end{matrix} (7.1 \begin{matrix} +.8 \\ -0 \end{matrix})$  (DNF18-250M & DNF14-250M)  
 :  $11/32 \begin{matrix} +1/32 \\ -0 \end{matrix} (8.7 \begin{matrix} +.8 \\ -0 \end{matrix})$  (DNF10-250M)
- DIMENSIONS IN BRACKETS ARE IN mm OR mm<sup>2</sup>.



CERTIFIED  
LR31212  
( EXCEPT  
DNF10-250M )

A41533\_05

05	11/04	KLFU		ADDED LOGO AND MARKING 10 WIRE RANGE 4,0 WAS 2,5							TINLEY PARK, ILLINOIS		
04	1/01	RM	SKB	FILESPEC WAS N41533AA_PCD_03	08933			CCH	JAC				
03	10/98	JKD		MATERIAL WAS TIN PLATED ADDED CP-862, CA9	07836					REELSMART™, DISCO™, NYLON BARREL INSULATED MALE DISCONNECTS (.250 X .032 TAB SIZE)			
02	2/96	ED	RS	REVISED NOTES AND TABLE SPEC.S FILESPEC WAS: NPC_A41533_01	04089			DH	LA				
REV	DATE	BY	CHK	DESCRIPTION	ECN #	QA	CUST	PM	APP	DRAWN BY	CHK'D	SCALE	DRAWING NO./CAD FILENAME
										BDK	RLS	NONE	A41533