



Chipsmall Limited consists of a professional team with an average of over 10 year of expertise in the distribution of electronic components. Based in Hongkong, we have already established firm and mutual-benefit business relationships with customers from,Europe,America and south Asia,supplying obsolete and hard-to-find components to meet their specific needs.

With the principle of "Quality Parts,Customers Priority,Honest Operation,and Considerate Service",our business mainly focus on the distribution of electronic components. Line cards we deal with include Microchip,ALPS,ROHM,Xilinx,Pulse,ON,Everlight and Freescale. Main products comprise IC,Modules,Potentiometer,IC Socket,Relay,Connector.Our parts cover such applications as commercial,industrial, and automotives areas.

We are looking forward to setting up business relationship with you and hope to provide you with the best service and solution. Let us make a better world for our industry!



## Contact us

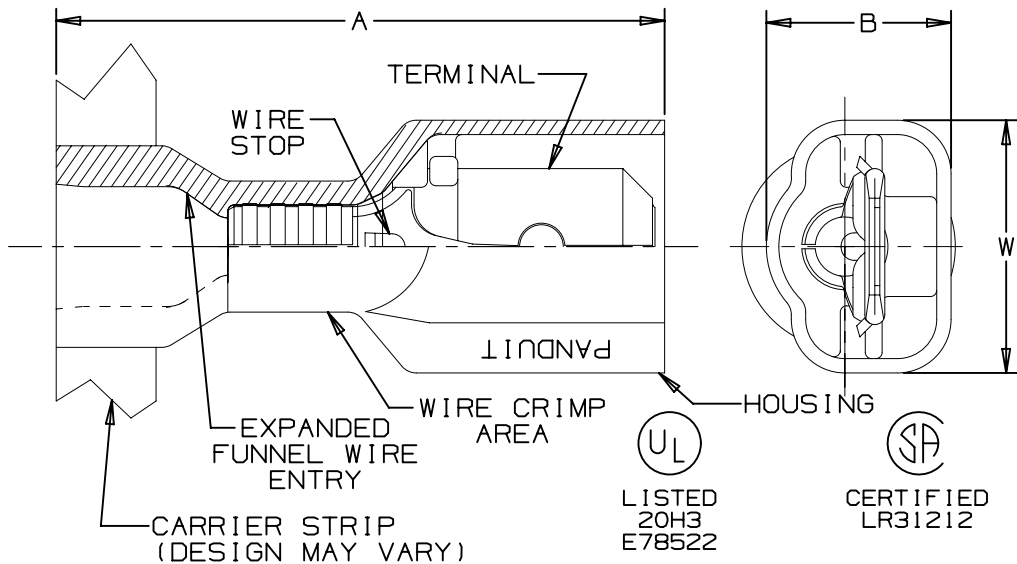
Tel: +86-755-8981 8866 Fax: +86-755-8427 6832

Email & Skype: info@chipsmall.com Web: www.chipsmall.com

Address: A1208, Overseas Decoration Building, #122 Zhenhua RD., Futian, Shenzhen, China



THIS COPY IS PROVIDED ON A RESTRICTED BASIS AND IS NOT TO BE USED IN ANY WAY DETRIMENTAL TO THE INTERESTS OF PANDUIT CORP.



NOTES:

- USED FOR:
  - A. 600V MAX VOLTAGE RATING
  - B. 257°F (125°C) MAX TEMP RATING (UL)
  - 221°F (105°C) MAX TEMP RATING (CSA)
  - C. STRANDED COPPER WIRE ONLY
- WIRE STRIP LENGTH:  $9/32 + 1/32 [ 7.1 + .8 ]$   
 $- 0 \quad - 0$
- MAX WIRE INSULATION DIA .244 [ 6.20 ]  
 MIN WIRE INSULATION DIA .097 [ 2.46 ]
- MATERIAL:
  - A. STAMPING: NICKEL PLATED BRASS
  - B. HOUSING: TYPE 6/6 NYLON
- PACKAGING (CONTINUOUS MOLDED ON REEL):
  - A. BULK ONLY: -2K = 2000
- DIMENSIONS IN BRACKETS ARE IN mm OR mm2
- COLORS ARE TRANSLUCENT

PART NUMBER		TAB SIZE	WIRE RANGE AWG	HOUSING COLOR (NOTE7)	DIMENSIONS			CA9 SERIES CRIMP DIE	CA-800(EZ) SERIES CRIMP DIE
PREFIX	PK				A ±.02 [ .5 ]	W ±.01 [ .3 ]	B ±.01 [ .3 ]		
DNF14250F1MX	-2K	.250 X .032 [ 6.3 X 0.8 ]	16-14* [ 1.5-2.5 ]	BLUE	.97 [ 24.6 ]	.41 [ 10.4 ]	.29 [ 7.4 ]	CD9-8B	CD-800-8
DNF18250F1MX	-2K	.250 X .032 [ 6.3 X 0.8 ]	22-18** [ .5-1.0 ]	RED	.97 [ 24.6 ]	.41 [ 10.4 ]	.29 [ 7.4 ]		

PRESS/APPLICATOR COMPATIBILITY CHART

PRESS	CP-871	CP-861
APPLICATOR	CA9 CA-800EZ	CA-800

\* ALSO CSA CERTIFIED FOR USE WITH 2 #16 AWG OR 2 #18 AWG WIRES  
 \* ALSO CSA CERTIFIED FOR USE WITH 2 #18 AWG, 2 #20 AWG, OR 2 #22 AWG WIRES

REV	DATE	BY	CHK	APR	DESCRIPTION	ECN
05	2/15	JHNU	TMR	RGB	ADDED PRESS/APPLICATOR COMPATIBILITY CHART REVISED TITLE BLOCK	N41545BA-DC

TITLE <b>REELSMART DISCO MALE DISCONNECT FULLY INSULATED, EXPANDED NYLON .250 X .032, TAB SIZE CUSTOMER DRAWING</b>	
ITEM REVISION NAME N41545BA/05	<b>PANDUIT</b>
DATASET FILE NAME N41545BA/05	
UNLESS OTHERWISE SPECIFIED, DIMENSIONAL TOLERANCES ARE: IN [ mm ] .X ± .XXX ± .XX ± ANGLES ±	MATERIAL: SEE NOTES
DRAWING NUMBER: <b>A41545</b>	
THIRD ANGLE PROJECTION	

D10100DA/16