



Chipsmall Limited consists of a professional team with an average of over 10 year of expertise in the distribution of electronic components. Based in Hongkong, we have already established firm and mutual-benefit business relationships with customers from,Europe,America and south Asia,supplying obsolete and hard-to-find components to meet their specific needs.

With the principle of “Quality Parts,Customers Priority,Honest Operation,and Considerate Service”,our business mainly focus on the distribution of electronic components. Line cards we deal with include Microchip,ALPS,ROHM,Xilinx,Pulse,ON,Everlight and Freescale. Main products comprise IC,Modules,Potentiometer,IC Socket,Relay,Connector.Our parts cover such applications as commercial,industrial, and automotives areas.

We are looking forward to setting up business relationship with you and hope to provide you with the best service and solution. Let us make a better world for our industry!



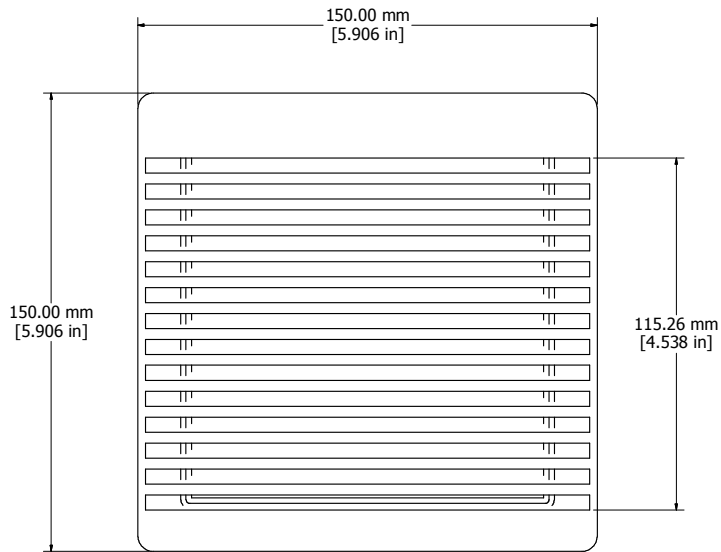
## Contact us

Tel: +86-755-8981 8866 Fax: +86-755-8427 6832

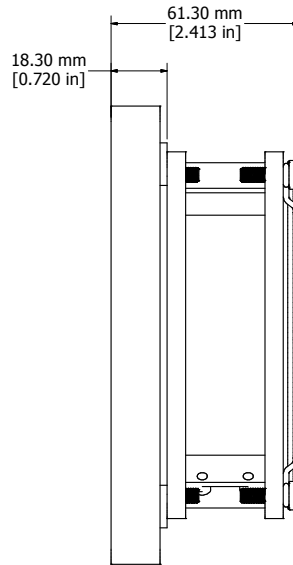
Email & Skype: info@chipsmall.com Web: www.chipsmall.com

Address: A1208, Overseas Decoration Building, #122 Zhenhua RD., Futian, Shenzhen, China

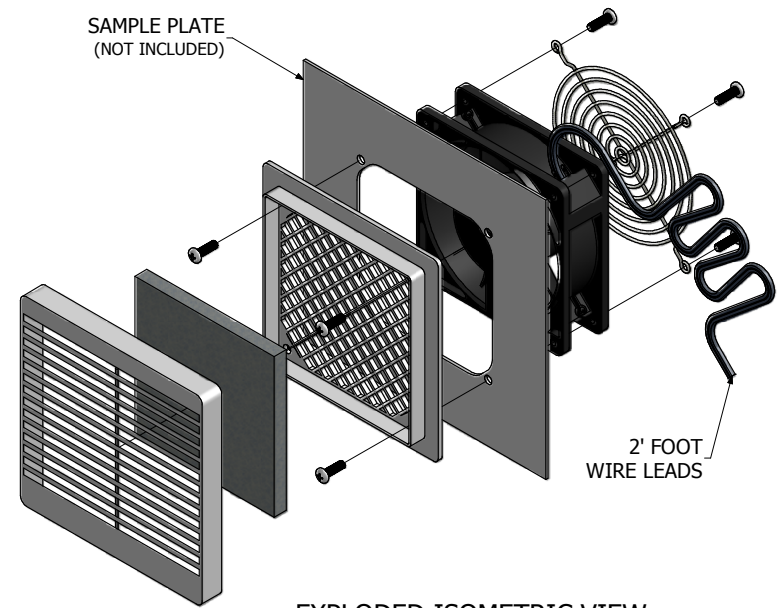




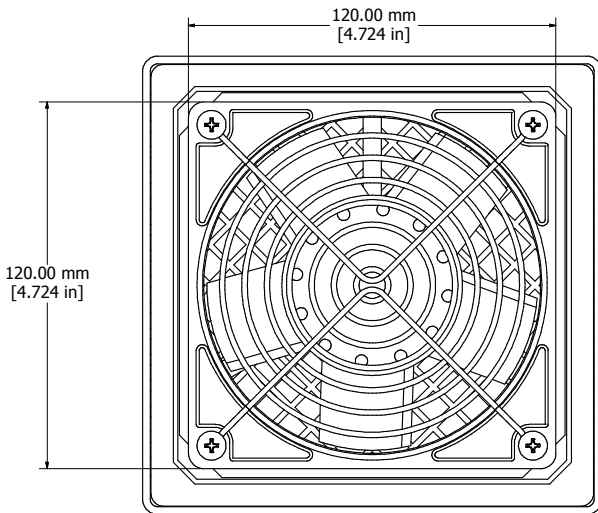
ASSEMBLY - VIEW FROM FRONT



ASSEMBLY - VIEW FROM SIDE



EXPLODED ISOMETRIC VIEW



ASSEMBLY - VIEW FROM BACK

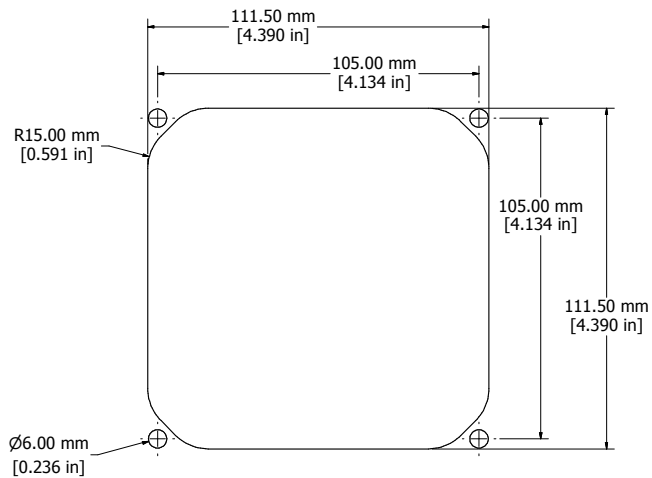


PLATE CUTOUT

<b>DNFF 120**115</b>
Finish - Front Screen - ABS Plastic
- Back Panel - ABS Plastic
Rated - 115 VAC, 50/60 Hz, 0.19 Amps
Free Flow Air Delivery - 105 CFM
<b>Colours</b>
DNFF120BK115 - Black
DNFF120CG115 - Gray/Beige
DNFF120GY115 - Gray
DNFF120LG115 - Light Gray
<b>Hardware</b>
8 Screws - Panhead Self-tapping 10-32 x 1/2"
4 Speed Nuts

