



Chipsmall Limited consists of a professional team with an average of over 10 year of expertise in the distribution of electronic components. Based in Hongkong, we have already established firm and mutual-benefit business relationships with customers from,Europe,America and south Asia,supplying obsolete and hard-to-find components to meet their specific needs.

With the principle of “Quality Parts,Customers Priority,Honest Operation,and Considerate Service”,our business mainly focus on the distribution of electronic components. Line cards we deal with include Microchip,ALPS,ROHM,Xilinx,Pulse,ON,Everlight and Freescale. Main products comprise IC,Modules,Potentiometer,IC Socket,Relay,Connector.Our parts cover such applications as commercial,industrial, and automotives areas.

We are looking forward to setting up business relationship with you and hope to provide you with the best service and solution. Let us make a better world for our industry!



## Contact us

Tel: +86-755-8981 8866 Fax: +86-755-8427 6832

Email & Skype: info@chipsmall.com Web: www.chipsmall.com

Address: A1208, Overseas Decoration Building, #122 Zhenhua RD., Futian, Shenzhen, China

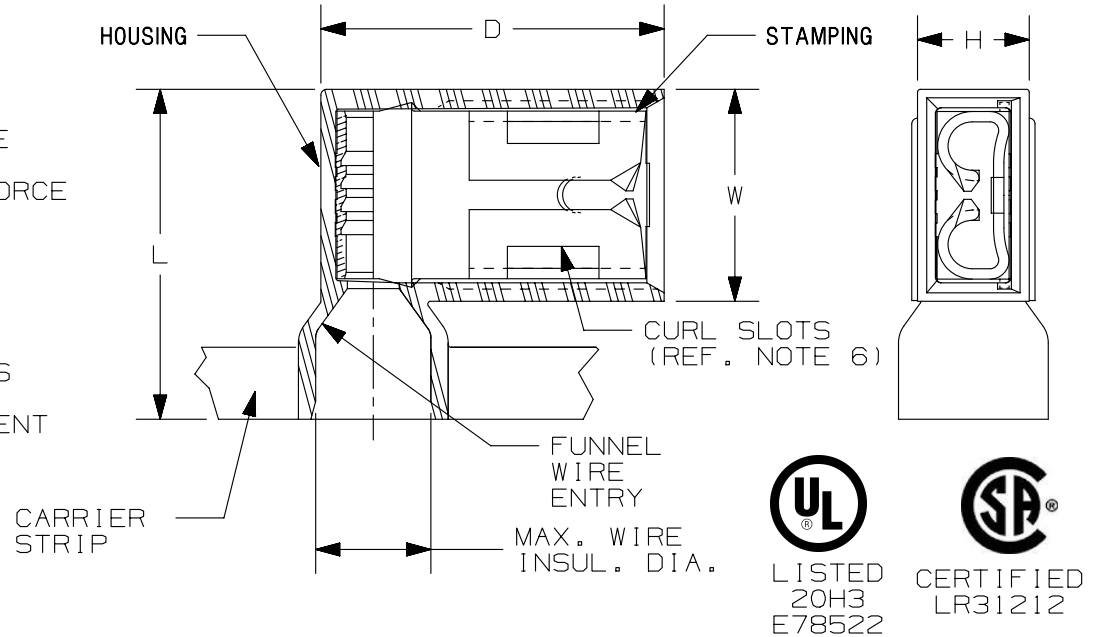


THIS COPY IS PROVIDED ON A RESTRICTED BASIS AND IS NOT TO BE USED IN ANY WAY DETRIMENTAL TO THE INTERESTS OF PANDUIT CORP.

PANDUIT PART #	TAB SIZE		WIRE RANGE		COLOR	DIMENSIONS in. [mm]					TOOL CHART	
	ENGLISH in.	METRIC mm	ENGLISH AWG	METRIC mm <sup>2</sup>		MAX. WIRE INSUL. DIA.	L ± .03 [0,8]	W ± .01 [0,3]	H ± .01 [0,3]	D ± .01 [0,3]	PRESSES: CP-861, CP-862, CP-871	APPLICATOR DIES: CA9, CA-800EZ
DNFR18250FIB	.250 X .032	6,3 X 0,8	22-18	0,5-1,0	RED	.18 [4,6]	.57 [14,5]	.37 [9,4]	.21 [5,3]	.60 [15,2]	CD-800-9 CD9-9C	
DNFR18205FIB	.205/.187 X .032	5,2/4,8 X 0,8										
DNFR18206FIB	.205/.187 X .020	5,2/4,8 X 0,5										
DNFR14250FIB	.250 X .032	6,3 X 0,8	16-14	1,5-2,5	BLUE	.18 [4,6]	.57 [14,5]	.37 [9,4]	.21 [5,3]	.60 [15,2]	CD-800-9 CD9-9C	
DNFR14205FIB	.205/.187 X .032	5,2/4,8 X 0,8										
DNFR14206FIB	.205/.187 X .020	5,2/4,8 X 0,5										

NOTES:

- USED FOR:
  - A. STRANDED COPPER WIRE ONLY
  - B. 221°F [105°C] MAX. OPERATING TEMPERATURE
  - C. 600V. MAX. BLDG WIRE
  - D. 6-12 LBS INTIAL INSERTION/WITHDRAWAL FORCE
- WIRE STRIP LENGTH:
  - 11/32 <sup>+1/32</sup> [8,7 <sup>+0,8</sup>]
- MATERIAL:
  - A. STAMPING: CDA 260 BRASS, TIN PLATED
  - B. HOUSING: TYPE 6/6 NYLON
- SEE [www.panduit.com](http://www.panduit.com) FOR PACKAGE QUANTITIES INDICATED BY PART NUMBER SUFFIX
- DIMENSIONS IN BRACKETS ARE METRIC EQUIVALENT
- CURL SLOTS: DNFR18205FIB, DNFR18206FIB, DNFR14205FIB, DNFR14206FIB ONLY.



10	10.10.12	JBN	LCA	VMB	ADDED METRIC EQUIVALENT. CHANGE PACKAGING NOTE. ADDED TOOLS CHART. UPDATED DRAWING TO CURRENT STANDARDS.			A41124	

TITLE		FEMALE DISCONNECTS, NYLON FULLY INSULATED - RIGHT ANGLE		
		CUSTOMER DRAWING		
ITEM REVISION NAME		N41124BA/10		
DATASET FILE NAME		N41124BA_DC/10A		
UNLESS OTHERWISE SPECIFIED, DIMENSIONAL TOLERANCES ARE: IN [mm]		MATERIAL: SEE NOTES		
.x ± .1 [2.54] .xxx ± .005 [.127]		DRAWING NUMBER: A41124		
.xx ± .01 [.25] ANGLES ± 5°				
THIRD ANGLE PROJECTION				
DRAWN BY	DATE	CHK	SCALE	SHT 1 OF 1
MG	-	-	N.T.S.	A

REV	DATE	BY	CHK	APR	DESCRIPTION	ECN
-----	------	----	-----	-----	-------------	-----

D10100DA/15