



Chipsmall Limited consists of a professional team with an average of over 10 year of expertise in the distribution of electronic components. Based in Hongkong, we have already established firm and mutual-benefit business relationships with customers from,Europe,America and south Asia,supplying obsolete and hard-to-find components to meet their specific needs.

With the principle of “Quality Parts,Customers Priority,Honest Operation,and Considerate Service”,our business mainly focus on the distribution of electronic components. Line cards we deal with include Microchip,ALPS,ROHM,Xilinx,Pulse,ON,Everlight and Freescale. Main products comprise IC,Modules,Potentiometer,IC Socket,Relay,Connector.Our parts cover such applications as commercial,industrial, and automotives areas.

We are looking forward to setting up business relationship with you and hope to provide you with the best service and solution. Let us make a better world for our industry!



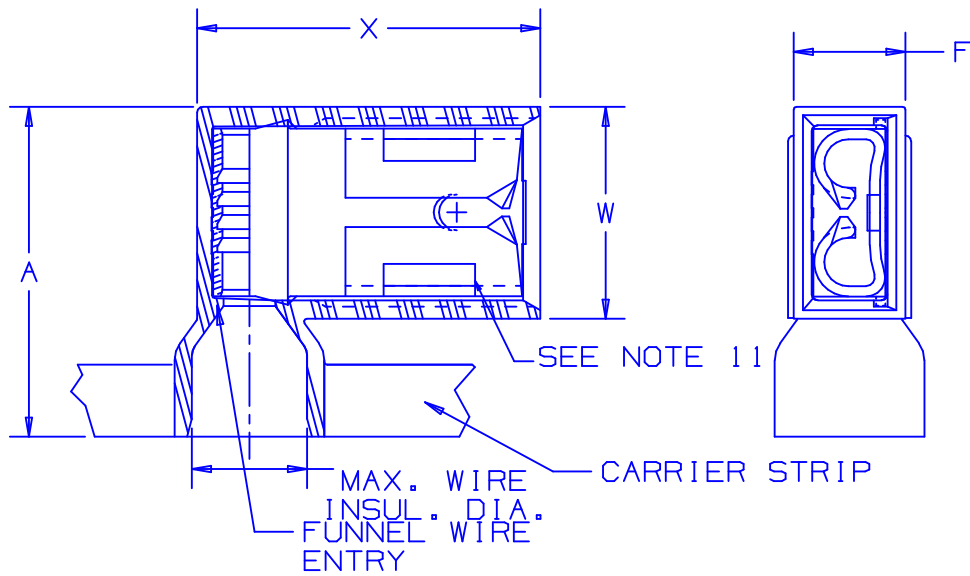
Contact us

Tel: +86-755-8981 8866 Fax: +86-755-8427 6832

Email & Skype: info@chipsmall.com Web: www.chipsmall.com

Address: A1208, Overseas Decoration Building, #122 Zhenhua RD., Futian, Shenzhen, China





NOTES:

1. RECOMMENDED TOOLS: CP-860, CP-861, CP-851, CP-862
2. APPLICATOR: CA-800, CA9, CA-800EZ
3. CRIMP DIE: CD800-9, CD9-9C
4. VOLTAGE RATING: 600 V MAX.
5. TEMPERATURE RATING: 105° C
6. PACKAGE QUANTITY 1500 PCS/REEL
7. DIMENSIONS ARE IN INCHES (MILLIMETERS)
8. BRASS THICKNESS .018 (.457) TIN PLATED
9. FOR STRANDED COPPER WIRE ONLY
10. HOUSING: TYPE 6/6 NYLON
11. CURL SLOTS: DNFR18205FIB-KD, DNFR18206FIB-KD, DNFR14205FIB-KD, DNFR14206FIB-KD ONLY.
12. WIRE STRIP LENGTH: $11/32^{+1/32}_{-0}$ (8.7 $^{+0.8}_{-0}$)

PART NUMBER	TAB SIZE	WIRE RANGE	COLOR	MAX. INSUL.	DIMENSIONS			
					A ±.03 (.8)	W ±.01 (.3)	X ±.03 (.8)	F ±.02 (.5)
DNFR18250FIB-KD	.250 X .032	22-18	RED	.178 (4.6)	.57 (14.48)	.37 (9.40)	.60 (15.24)	.21 (5.33)
DNFR18205FIB-KD	.205/.187 X .032	22-18	RED	.178 (4.6)	.57 (14.48)	.37 (9.40)	.60 (15.24)	.21 (5.33)
DNFR18206FIB-KD	.205/.187 X .020	22-18	RED	.178 (4.6)	.57 (14.48)	.37 (9.40)	.60 (15.24)	.21 (5.33)
DNFR14250FIB-KD	.250 X .032	16-14	BLUE	.178 (4.6)	.57 (14.48)	.37 (9.40)	.60 (15.24)	.21 (5.33)
DNFR14205FIB-KD	.205/.187 X .032	16-14	BLUE	.178 (4.6)	.57 (14.48)	.37 (9.40)	.60 (15.24)	.21 (5.33)
DNFR14206FIB-KD	.205/.187 X .020	16-14	BLUE	.178 (4.6)	.57 (14.48)	.37 (9.40)	.60 (15.24)	.21 (5.33)



LISTED
20H3
E78522

CERTIFIED
LR31212

DIMENSIONS ARE IN INCHES (MILLIMETERS)

A41124_09

09	04/14/05	FS		Tolerance of "F" was ±.01 (±.3)				
----	----------	----	--	---------------------------------	--	--	--	--



CORP.

TINLEY PARK, ILLINOIS

DISCO-RIGHT ANGLE
FULLY INSULATED FEMALE DISCONNECTS
.250 X .032, .205/.187 X .032/.020

REV	DATE	BY	CHK	DESCRIPTION	ECN #	PM	APP	DRAWN BY	CHK'D	SCALE	DRAWING NO./CAD FILENAME
								MG		NONE	A41124