



Chipsmall Limited consists of a professional team with an average of over 10 year of expertise in the distribution of electronic components. Based in Hongkong, we have already established firm and mutual-benefit business relationships with customers from,Europe,America and south Asia,supplying obsolete and hard-to-find components to meet their specific needs.

With the principle of “Quality Parts,Customers Priority,Honest Operation,and Considerate Service”,our business mainly focus on the distribution of electronic components. Line cards we deal with include Microchip,ALPS,ROHM,Xilinx,Pulse,ON,Everlight and Freescale. Main products comprise IC,Modules,Potentiometer,IC Socket,Relay,Connector.Our parts cover such applications as commercial,industrial, and automotives areas.

We are looking forward to setting up business relationship with you and hope to provide you with the best service and solution. Let us make a better world for our industry!



## Contact us

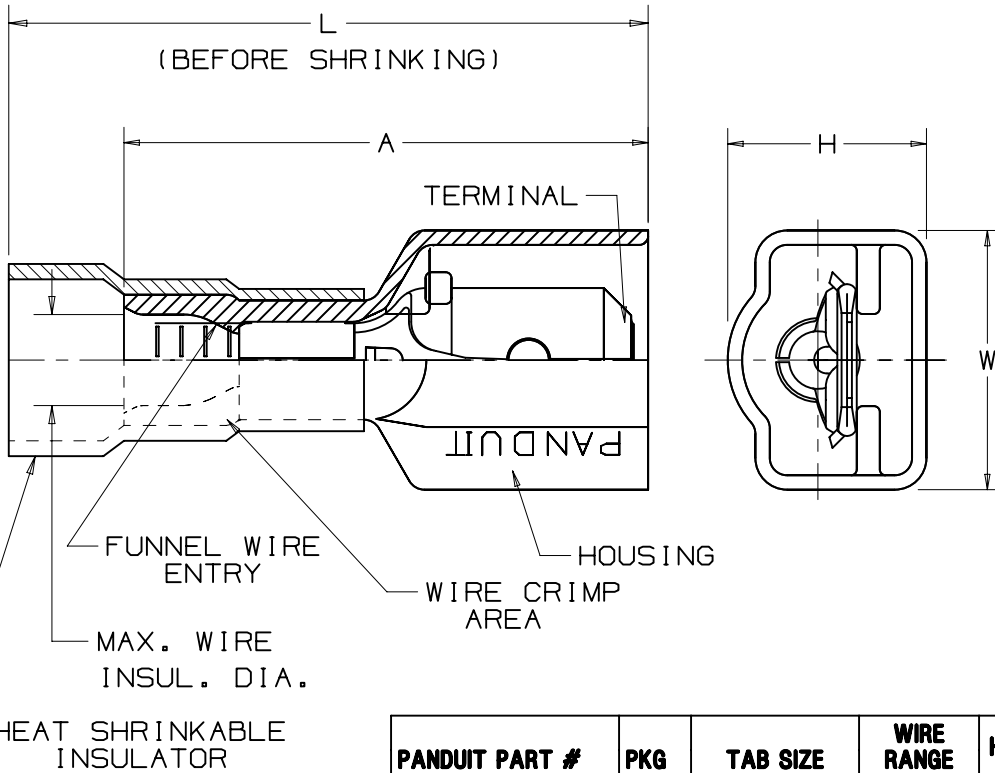
Tel: +86-755-8981 8866 Fax: +86-755-8427 6832

Email & Skype: info@chipsmall.com Web: www.chipsmall.com

Address: A1208, Overseas Decoration Building, #122 Zhenhua RD., Futian, Shenzhen, China



THIS COPY IS PROVIDED ON A RESTRICTED BASIS AND IS NOT TO BE USED IN ANY WAY DETRIMENTAL TO THE INTERESTS OF PANDUIT CORP.



NOTES:

1. FOR USE WITH STRANDED COPPER WIRE ONLY (SEE TABLE FOR WIRE RANGE)
2. MATERIAL:
  - A. TERMINAL - CDA 260 BRASS, NICKEL PLATED
  - B. HOUSING - TYPE 66 NYLON
  - C. INSULATOR - HEAT SHRINKABLE POLYOLEFIN WITH HOT MELT SEALANT
3. MINIMUM SHRINK TEMPERATURE: 300°F (150°C)
4. ALL DIMENSIONS SHOWN ARE NOMINAL. DIMENSIONS IN BRACKETS ARE IN MILLIMETERS.
5. INSTALLATION TOOL: CT-310
6. PACKAGING QTY:
  - A. STD PKG -Q = 25
  - B. BULK PKG. -D = 500
7. WIRE STRIP LENGTH:  $9/32'' + 1/32'' [7.1 + 0.8]$   
 $- 0 \quad - 0$

PANDUIT PART #	PKG	TAB SIZE	WIRE RANGE AWG	HOUSING COLOR	MAX. INSUL. DIA.	DIMENSIONS			
						A	W	H	L
DNH18-250FIM	-Q	.250 X .032 [6,35 X 0,81]	#22-18	RED	.133 [3,38]	.90 [22,9]	.41 [10,4]	.31 [7,9]	1.50 [38,1]
DNH14-250FIM	-Q -D	.250 X .032 [6,35 X 0,81]	#16-14	BLUE	.158 [4,01]	.90 [22,9]	.41 [10,4]	.31 [7,9]	1.50 [38,1]

REV	DATE	BY	CHK	APR	DESCRIPTION	ECN
05	2-23-15	JHNU	JHNU	RGB	ADDED NOTE 7	N41457BA-DC
04	04-25-13	JBN	RTFI	RTFI	UPDATED DRAWING BORDER & TITLE BLOCK	A41457

TITLE		<b>HEAT SHRINK FULLY INSULATED MALE DISCONNECTS</b>	
ITEM REVISION NAME		CUSTOMER DRAWING	
DATASET FILE NAME		<b>PANDUIT</b>	
UNLESS OTHERWISE SPECIFIED, DIMENSIONAL TOLERANCES ARE: IN [mm]		MATERIAL:	
.x ± .1 [ 2.54 ]      .xxx ± .005 [ .127 ]		SEE NOTES	
.xx ± .01 [ .25 ]      ANGLES ± 5 °		DRAWING NUMBER:	
		<b>A41457</b>	
DRAWN BY	DATE	CHK	SCALE
DRL	-	LCA	NONE
SHT 1 OF 1			SIZE
			<b>A</b>

D10100DA/15