



Chipsmall Limited consists of a professional team with an average of over 10 year of expertise in the distribution of electronic components. Based in Hongkong, we have already established firm and mutual-benefit business relationships with customers from,Europe,America and south Asia,supplying obsolete and hard-to-find components to meet their specific needs.

With the principle of “Quality Parts,Customers Priority,Honest Operation,and Considerate Service”,our business mainly focus on the distribution of electronic components. Line cards we deal with include Microchip,ALPS,ROHM,Xilinx,Pulse,ON,Everlight and Freescale. Main products comprise IC,Modules,Potentiometer,IC Socket,Relay,Connector.Our parts cover such applications as commercial,industrial, and automotives areas.

We are looking forward to setting up business relationship with you and hope to provide you with the best service and solution. Let us make a better world for our industry!



Contact us

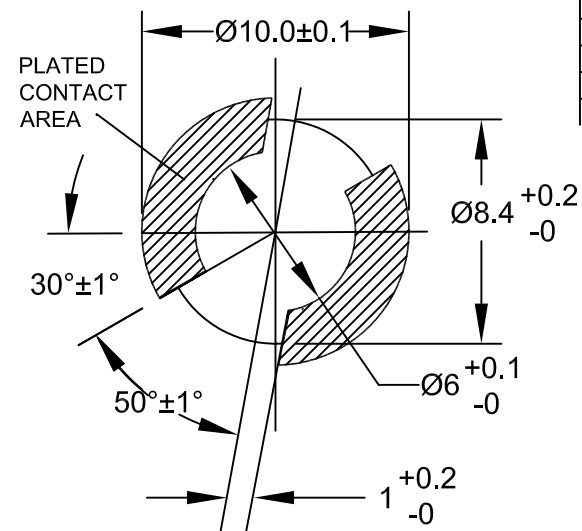
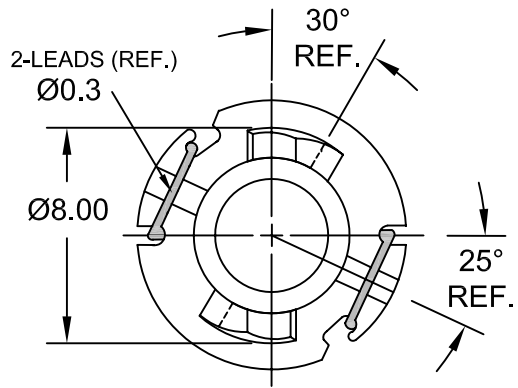
Tel: +86-755-8981 8866 Fax: +86-755-8427 6832

Email & Skype: info@chipsmall.com Web: www.chipsmall.com

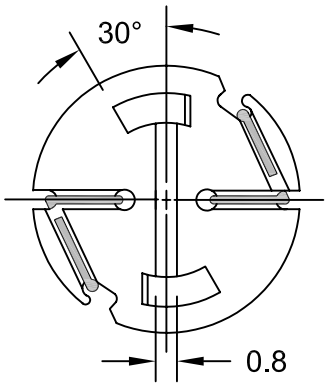
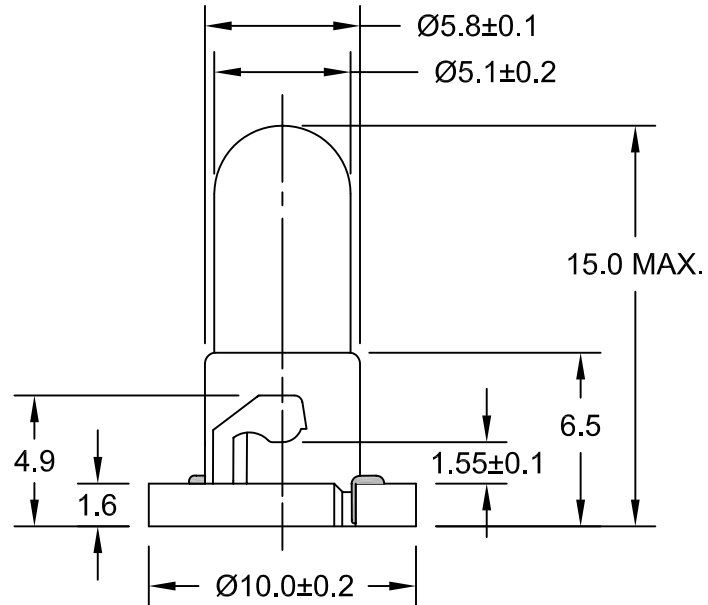
Address: A1208, Overseas Decoration Building, #122 Zhenhua RD., Futian, Shenzhen, China



REV.	DESCRIPTION/ECO NO.	DATE
	RELEASED	11/19/02
A	CHANGE TO LEAD (Pb) FREE ASSEMBLY	1/18/05



PC BOARD PUNCH PATTERN
 (NO TREATMENT, SUCH AS APPLICATION OF FLUX, SHALL BE DONE.)



JKL PART NO.: DNW1-EW87/GRA***

JKL LAMP NUMBER	VOLTS RATED	AMPS ±10%	*MSCP ±25%	*LUMENS ±25%	AVERAGE LIFE HRS.	FILAMENT TYPE
EW87**	14.0	.140	.95*	12.0*	7,000 D.C.	C-2V

*LAMP RATED ONLY WITHOUT BASE
 **LAMP GLASS LEAD (Pb) FREE
 ***LAMP AND BASE ASSEMBLY LEAD (Pb) FREE

CONTACT JKL FOR LEAD (Pb) FREE LOT IDENTIFICATION
BASE COLOR: GRAY

METRIC THIRD ANGLE PROJECTION	DIMENSIONS ARE IN MILLIMETERS TOLERANCE UNLESS OTHERWISE SPECIFIED 1 PL +/- 0.2 2 PL +/- 0.20 ANGLE +/- 0	JKL COMPONENTS CORPORATION			
	TITLE T-1 1/4 NEO-WEDGE GRAY BASE WITH T-1 1/2 EW87 LAMP				
DRAWN BY L. WENGSTROM	APPV'D BY J.K.	DATE 1/18/05	SIZE A	FSCM NO. 55335	DRAWING NO. DNW1-EW87/GRA
- CAD DRAWING - MANUAL REVISIONS NOT PERMITTED			SCALE NONE	RELEASED DATE 11/19/02	REVISION DATE 1/18/05
				REV. NO. A	SHEET 1 OF 1