



Chipsmall Limited consists of a professional team with an average of over 10 year of expertise in the distribution of electronic components. Based in Hongkong, we have already established firm and mutual-benefit business relationships with customers from,Europe,America and south Asia,supplying obsolete and hard-to-find components to meet their specific needs.

With the principle of “Quality Parts,Customers Priority,Honest Operation,and Considerate Service”,our business mainly focus on the distribution of electronic components. Line cards we deal with include Microchip,ALPS,ROHM,Xilinx,Pulse,ON,Everlight and Freescale. Main products comprise IC,Modules,Potentiometer,IC Socket,Relay,Connector.Our parts cover such applications as commercial,industrial, and automotives areas.

We are looking forward to setting up business relationship with you and hope to provide you with the best service and solution. Let us make a better world for our industry!



## Contact us

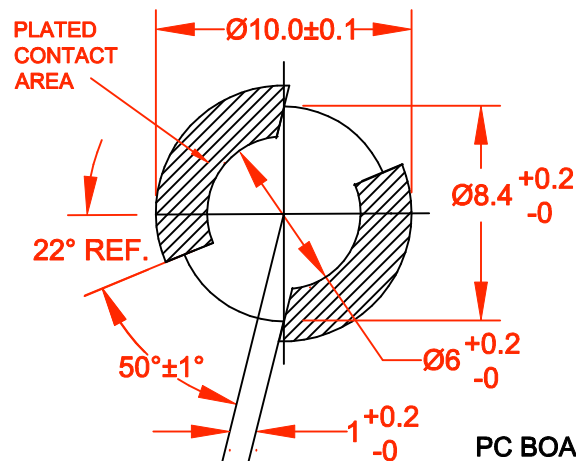
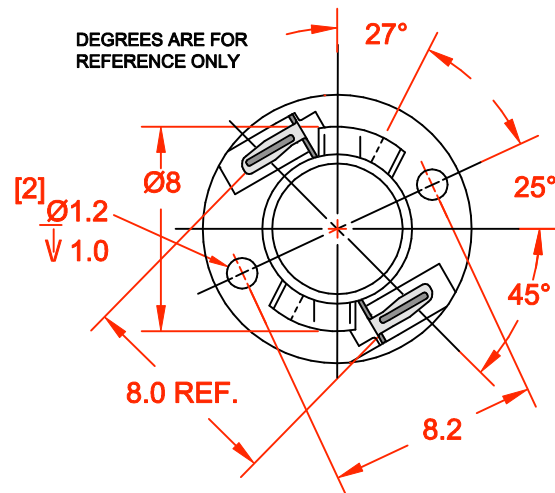
Tel: +86-755-8981 8866 Fax: +86-755-8427 6832

Email & Skype: info@chipsmall.com Web: www.chipsmall.com

Address: A1208, Overseas Decoration Building, #122 Zhenhua RD., Futian, Shenzhen, China

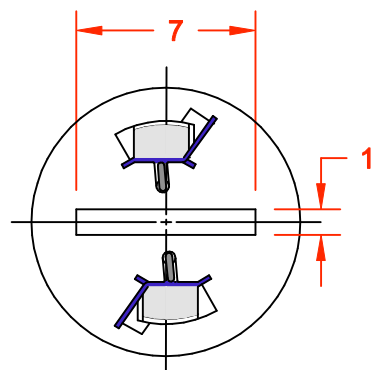
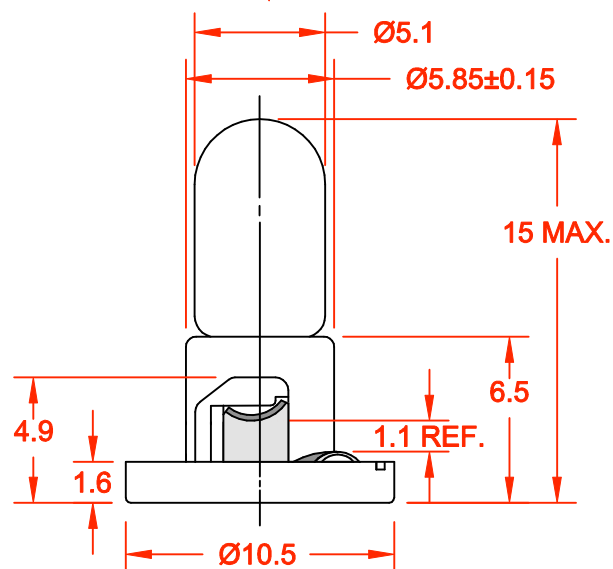


REV.	DESCRIPTION/ECO NO.	DATE
	RELEASED CONVERTED TO CAD	11/9/00



**PC BOARD PUNCH PATTERN**

(NO TREATMENT, SUCH AS APPLICATION OF FLUX, SHALL BE DONE.)



**JKL PART NO.: DNW21-EW33/GRA**

JKL LAMP NUMBER	VOLTS RATED	AMPS ±10%	*MSCP ±25%	*LUMENS ±25%	AVERAGE LIFE HRS.	FILAMENT TYPE
EW33 SHIBORI	14.0	.125	.700	9.00	10,000	C-2F

<b>BASE COLOR</b>
GRAY

\*LAMP RATING ONLY WITHOUT BASE

<p>THIRD ANGLE PROJECTION</p>	<p><b>METRIC</b></p> <p>DIMENSIONS ARE IN MILLIMETERS</p> <p>TOLERANCE UNLESS OTHERWISE SPECIFIED</p> <p>1 PL +/- 0.2</p> <p>2 PL +/- 0.20</p> <p>ANGLE +/- 0</p>	<p><b>JKL COMPONENTS CORPORATION</b></p>				
	<p>DRAWN BY L. WENGSTROM</p> <p>APPV'D BY QC</p> <p>DATE 11/9/00</p> <p>SCALE NONE</p>	<p>SIZE <b>A</b></p> <p>FSCM NO. <b>55335</b></p>	<p>DRAWING NO. <b>DNW21-EW33/GRA</b></p> <p>RELEASED DATE 11/9/00</p>	<p>REVISION DATE</p>	<p>REV. NO.</p>	<p>SHEET 1 OF 1</p>
<p>TITLE T-1 1/4 DOUBLE CONTACT NEO-WEDGE BASE WITH T-1 1/2 SHIBORI WIRE TERMINAL LAMP</p>						