



Chipsmall Limited consists of a professional team with an average of over 10 year of expertise in the distribution of electronic components. Based in Hongkong, we have already established firm and mutual-benefit business relationships with customers from,Europe,America and south Asia,supplying obsolete and hard-to-find components to meet their specific needs.

With the principle of “Quality Parts,Customers Priority,Honest Operation,and Considerate Service”,our business mainly focus on the distribution of electronic components. Line cards we deal with include Microchip,ALPS,ROHM,Xilinx,Pulse,ON,Everlight and Freescale. Main products comprise IC,Modules,Potentiometer,IC Socket,Relay,Connector.Our parts cover such applications as commercial,industrial, and automotives areas.

We are looking forward to setting up business relationship with you and hope to provide you with the best service and solution. Let us make a better world for our industry!



## Contact us

Tel: +86-755-8981 8866 Fax: +86-755-8427 6832

Email & Skype: info@chipsmall.com Web: www.chipsmall.com

Address: A1208, Overseas Decoration Building, #122 Zhenhua RD., Futian, Shenzhen, China



# Two-4-One™ Power Transformers

## Chassis Mount



Split Bobbin Construction Providing Superior Isolation.



Signal's 241 transformers use a split bobbin construction that provides superior isolation and low capacitive coupling.

### General Specifications

- Power - 2.4 VA to 100 VA
- Dielectric Strength - 2500 Vrms Hipot
- Primaries - Single or dual primaries (115V or 115/230 V - 50/60 Hz)
- Secondary - Single center tapped secondary
- Terminals - Solder lug / quick connect type terminals
- Insulation - Class B (130° C) UL 1446 E66312

### Agency Certifications

- UL recognized to UL 506 / UL 5085-1, File # E63829
- CSA certified to C22.2 #66.1, File # 221070



Part Number		Secondary RMS Rating	Part Number		Secondary RMS Rating
Single 115V	Dual 115/230V		Single 115V	Dual 115/230V	
241-3-10	Not Available	10.0 VCT @ 0.25A	241-3-28	Not Available	28 VCT @ 0.085A
241-4-10	DP-241-4-10	10.0 VCT @ 0.60A	241-4-28	DP-241-4-28	28 VCT @ 0.20A
241-5-10	DP-241-5-10	10.0 VCT @ 1.2A	241-5-28	DP-241-5-28	28 VCT @ 0.42A
241-6-10	DP-241-6-10	10.0 VCT @ 3.0A	241-6-28	DP-241-6-28	28 VCT @ 1.1A
241-7-10	DP-241-7-10	10.0 VCT @ 5.0A	241-7-28	DP-241-7-28	28 VCT @ 2.0A
241-8-10	DP-241-8-10	10.0 VCT @ 10A	241-8-28	DP-241-8-28	28 VCT @ 3.6A
241-3-12	Not Available	12.6 VCT @ 0.20A	241-3-36	Not Available	36 VCT @ 0.065A
241-4-12	DP-241-4-12	12.6 VCT @ 0.50A	241-4-36	DP-241-4-36	36 VCT @ 0.17A
241-5-12	DP-241-5-12	12.6 VCT @ 1.0A	241-5-36	DP-241-5-36	36 VCT @ 0.35A
241-6-12	DP-241-6-12	12.6 VCT @ 2.5A	241-6-36	DP-241-6-36	36 VCT @ 0.85A
241-7-12	DP-241-7-12	12.6 VCT @ 4.0A	241-7-36	DP-241-7-36	36 VCT @ 1.5A
241-8-12	DP-241-8-12	12.6 VCT @ 8.0A	241-8-36	DP-241-8-36	36 VCT @ 2.8A
241-3-16	Not Available	16.0 VCT @ 0.15A	241-3-48	Not Available	48 VCT @ 0.05A
241-4-16	DP-241-4-16	16.0 VCT @ 0.40A	241-4-48	DP-241-4-48	48 VCT @ 0.125A
241-5-16	DP-241-5-16	16.0 VCT @ 0.80A	241-5-48	DP-241-5-48	48 VCT @ 0.25A
241-6-16	DP-241-6-16	16.0 VCT @ 2.0A	241-6-48	DP-241-6-48	48 VCT @ 0.63A
241-7-16	DP-241-7-16	16.0 VCT @ 3.5A	241-7-48	DP-241-7-48	48 VCT @ 1.2A
241-8-16	DP-241-8-16	16.0 VCT @ 6.25A	241-8-48	DP-241-8-48	48 VCT @ 2.0A
241-3-20	Not Available	20.0 VCT @ 0.12A	241-3-56	Not Available	56 VCT @ 0.045A
241-4-20	DP-241-4-20	20.0 VCT @ 0.30A	241-4-56	DP-241-4-56	56 VCT @ 0.11A
241-5-20	DP-241-5-20	20.0 VCT @ 0.60A	241-5-56	DP-241-5-56	56 VCT @ 0.22A
241-6-20	DP-241-6-20	20.0 VCT @ 1.5A	241-6-56	DP-241-6-56	56 VCT @ 0.54A
241-7-20	DP-241-7-20	20.0 VCT @ 2.8A	241-7-56	DP-241-7-56	56 VCT @ 1.00A
241-8-20	DP-241-8-20	20.0 VCT @ 5.0A	241-8-56	DP-241-8-56	56 VCT @ 1.8A
241-3-24	Not Available	24.0 VCT @ 0.10A	241-3-120	Not Available	120VCT @ 0.02A
241-4-24	DP-241-4-24	24.0 VCT @ 0.25A	241-4-120	DP-241-4-120	120VCT @ 0.05A
241-5-24	DP-241-5-24	24.0 VCT @ 0.50A	241-5-120	DP-241-5-120	120VCT @ 0.10A
241-6-24	DP-241-6-24	24.0 VCT @ 1.25A	241-6-120	DP-241-6-120	120VCT @ 0.25A
241-7-24	DP-241-7-24	24.0 VCT @ 2.4A	241-7-120	DP-241-7-120	120VCT @ 0.50A
241-8-24	DP-241-8-24	24.0 VCT @ 4.0A	241-8-120	DP-241-8-120	120VCT @ 0.85A

Custom versions available upon request.

©2015 Signal Transformer Inc. Specifications subject to change without notice. 07.15



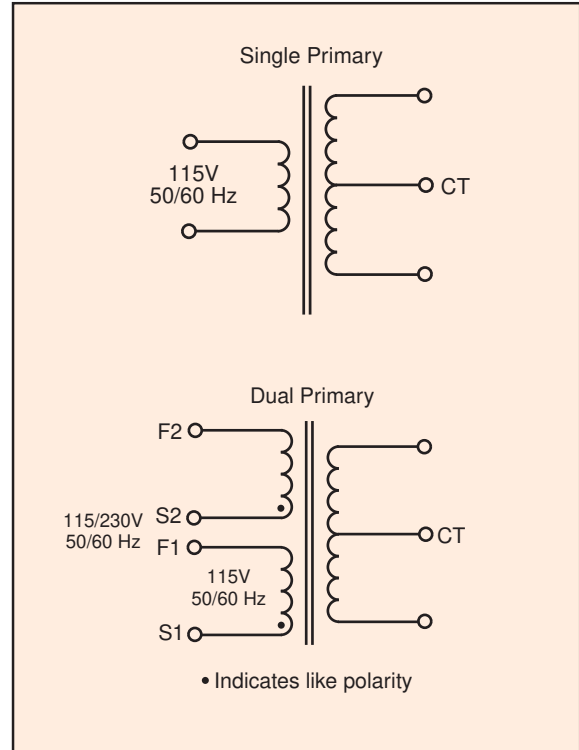
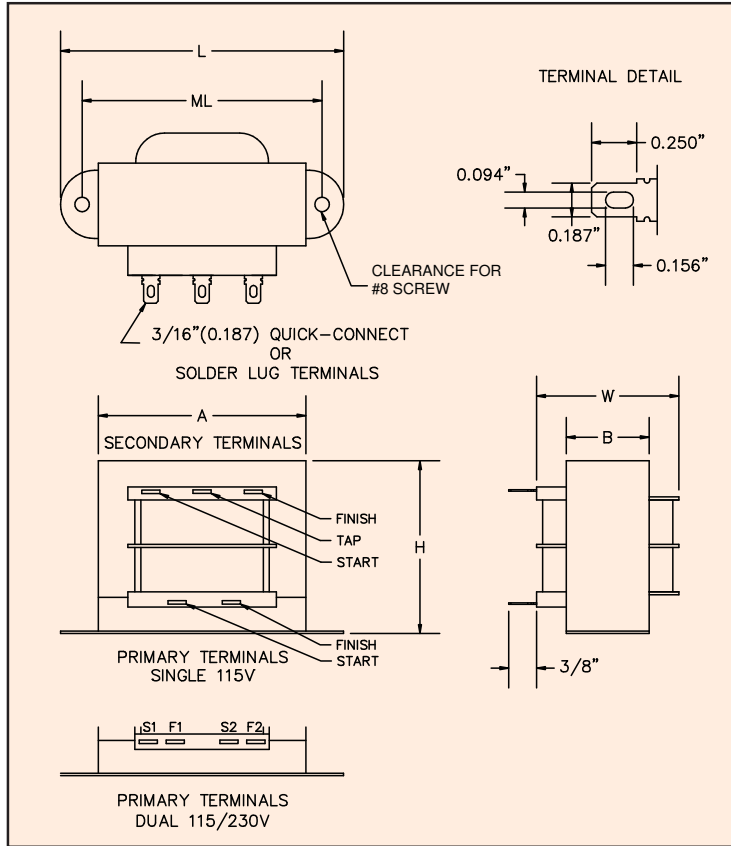
www.signaltransformer.com

500 Bayview Avenue, Inwood, NY 11096  
 Toll Free 866-239-5777 • Tel 516-239-5777 • Fax 516-239-7208  
 sales@signaltransformer.com • techhelp@signaltransformer.com

# Two-4-One™ Power Transformers Chassis Mount



## Split Bobbin with High Isolation



**Note:** Agency certified 241 Series transformers with standard length and color lead wires are readily available. See website for 241-L product series.

Size	VA	Dimensions						Weight
		L	W	H	A	B	ML typ	
		Inches (mm)						lbs (kg)
3	2.4	2.07 (52.6)	1.17 (29.6)	1.23 (31.2)	1.62 (41.3)	0.59 (15.0)	1.75 (44.5)	0.25 (0.11)
4	6	2.37 (60.3)	1.31 (33.3)	1.43 (36.2)	1.71 (43.4)	0.72 (18.3)	2.00 (50.8)	0.44 (0.20)
5	12	2.81 (71.4)	1.43 (36.3)	1.69 (42.8)	1.97 (49.9)	0.89 (22.6)	2.37 (60.3)	0.7 (0.32)
6	30	3.25 (82.6)	1.74 (44.3)	1.96 (49.8)	2.35 (59.7)	1.14 (28.9)	2.81 (71.4)	1.1 (0.50)
7	56	3.68 (93.5)	1.94 (49.2)	2.28 (57.8)	2.70 (68.4)	1.14 (28.9)	3.12 (79.4)	1.7 (0.77)
8	100	4.03 (102.4)	2.30 (58.5)	2.58 (65.5)	3.08 (78.2)	1.43 (36.2)	3.56 (90.4)	2.75 (1.25)

Custom versions available upon request.

©2015 Signal Transformer Inc. Specifications subject to change without notice. 07.15



www.signaltransformer.com

500 Bayview Avenue, Inwood, NY 11096  
Toll Free 866-239-5777 • Tel 516-239-5777 • Fax 516-239-7208  
sales@signaltransformer.com • techhelp@signaltransformer.com