



Chipsmall Limited consists of a professional team with an average of over 10 year of expertise in the distribution of electronic components. Based in Hongkong, we have already established firm and mutual-benefit business relationships with customers from,Europe,America and south Asia,supplying obsolete and hard-to-find components to meet their specific needs.

With the principle of “Quality Parts,Customers Priority,Honest Operation,and Considerate Service”,our business mainly focus on the distribution of electronic components. Line cards we deal with include Microchip,ALPS,ROHM,Xilinx,Pulse,ON,Everlight and Freescale. Main products comprise IC,Modules,Potentiometer,IC Socket,Relay,Connector.Our parts cover such applications as commercial,industrial, and automotives areas.

We are looking forward to setting up business relationship with you and hope to provide you with the best service and solution. Let us make a better world for our industry!



## Contact us

Tel: +86-755-8981 8866 Fax: +86-755-8427 6832

Email & Skype: info@chipsmall.com Web: www.chipsmall.com

Address: A1208, Overseas Decoration Building, #122 Zhenhua RD., Futian, Shenzhen, China





## DP10054P3L

100 Watts

### Data Sheet

**Total Power: 100 Watts**  
**Input Voltage: 90 - 264 Vac**  
**# of Outputs: Single, 54 Volts**

### SPECIAL FEATURES

- Active power factor correction
- EN6100-3-2 compliant
- Universal AC input
- Fully regulated output
- Overcurrent, overvoltage and thermal protection
- Constant voltage
- Level VI efficiency
- High MTBF
- IEC320 AC receptacle, 3 pin (type C6)
- Built in EMI filter (CISPR 22 Class B)
- AC input fuse
- Efficiency complies with European CoC v.5 Tier 2 & US DoE Level VI
- RoHS compliant
- POE isolation on output
- Meets K.21 enhanced surge requirements of 6KV Criteria B

### SAFETY

- UL UL 60950-1  
IEC 62368-1
- CSA CSA-C22.2 No.60950-1
- CB Certificate and report
- PSE Denan PSE approval (Japan)
- CCC
- CE LVD and EMC
- TUV EN60950-1



### Electrical Specifications

Input	
Input range	90 - 264 Vac (wide range)
Frequency	47 - 63 Hz
Inrush current	94 A maximum @ 264 Vac, cold start 25 °C
Input current	1.85 A maximum
Efficiency	87% typical
EMI/RFI	FCC Part 15, Subpart B Class B & EN55022 (CISPR 22) Class-B
Safety ground leakage current	3.5 mA maximum @ 50/60 Hz, 264 Vac input
Output	
Maximum power (Po)	100 W
Hold-up time	20 ms. minimum at full load @ 115 Vac
Overvoltage protection	Latching type, recycle AC to reset
Overcurrent protection	Output short circuit protection auto recover Overload protection @ 110 - 160% above maximum rating
Thermal protection	105 °C to 120 °C Trip point; output will latch off
Cable/connector	DC cable length 2.5 mm center plug DC plug center +v DC plug outer -v

### Environmental Specifications

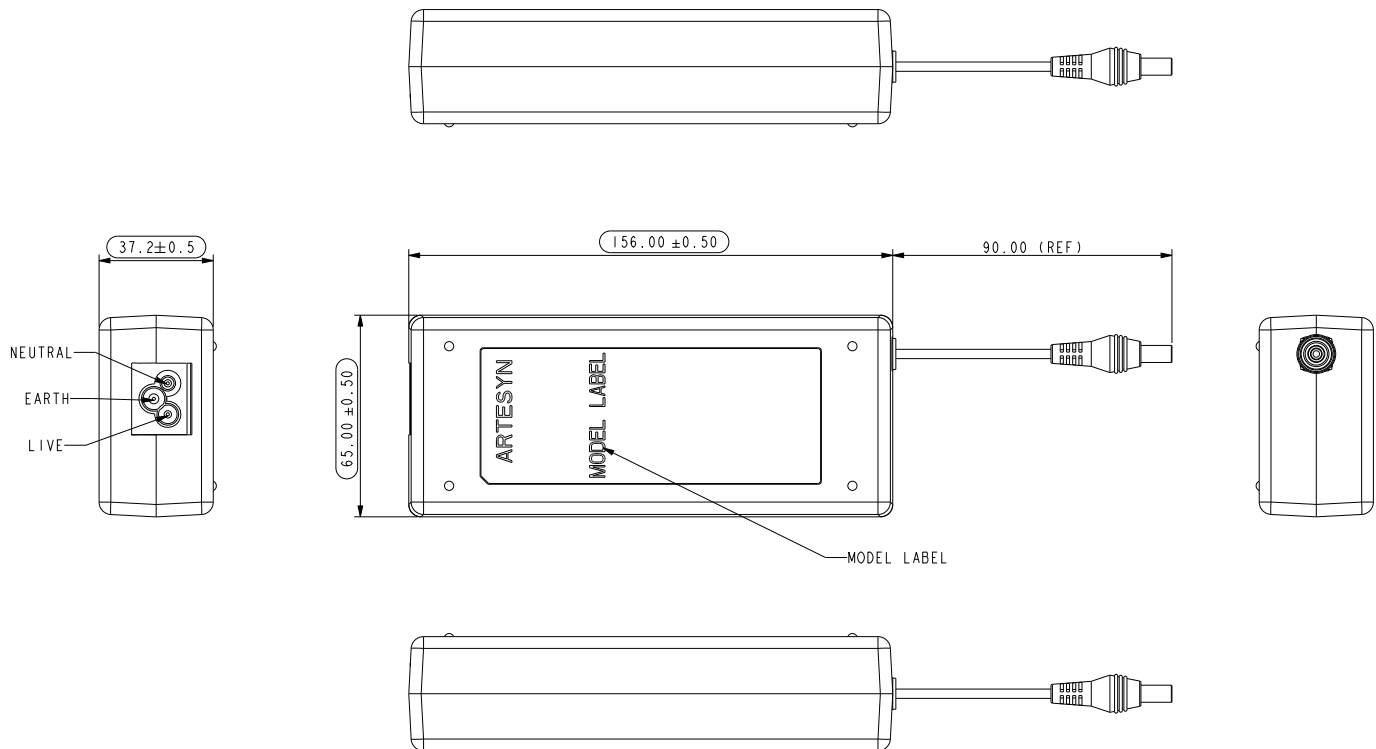
Operating temperature	-5 °C to +45 °C ambient
Storage temperature	-40 °C to +70 °C
Electromagnetic susceptibility	Designed to meet EN61000-4-2, -4, -5, level 3; EN61000-4-3, -6, 3 v/m; EN61000-4-8, -11; EN61000-3-2 Class A
Humidity	Operating; non-condensing 10% to 90% RH
MTBF demonstrated	> 550,000 hours at full load and 25 °C ambient conditions

## Ordering Information

Model Number	Maximum Power	Output Voltage	Maximum Load	Peak Load <sup>1</sup>	Regulation <sup>2</sup>	Ripple P/P (PARD) <sup>3</sup>
DP10054P3L	100 W	54 Vdc	1.85 A	2.035 A	± 5%	< 540 mV

1. Peak current lasting <4 seconds with a maximum 10% duty cycle.
2. At 25 °C including initial tolerance, line voltage, load currents and output voltages adjusted to factory settings.
3. Peak-to-peak with 20 MHz bandwidth and 10 µF (tantalum capacitor) in parallel with a 0.1 µF capacitor at rated line voltage and load ranges.

## Mechanical Drawing



Notes:

1. Specifications subject to change without notice.
2. All dimensions in (mm)
3. Warranty: 2 year
4. Weight: 0/9 lb./0.4 kg
5. AC input conector: IEC320, C6. AC input power cord sold separately.
6. Specifications at factory settings at 115/230 Vac input, 25 °C unless otherwise stated

## WORLDWIDE OFFICES

### Americas

2900 S.Diablo Way  
Tempe, AZ 85282  
USA  
+1 888 412 7832

### Europe (UK)

Waterfront Business Park  
Merry Hill, Dudley  
West Midlands, DY5 1LX  
United Kingdom  
+44 (0) 1384 842 211

### Asia (HK)

14/F, Lu Plaza  
2 Wing Yip Street  
Kwun Tong, Kowloon  
Hong Kong  
+852 2176 3333

**ARTESYN**<sup>™</sup>  
EMBEDDED TECHNOLOGIES

[www.artesyn.com](http://www.artesyn.com)

Artesyn Embedded Technologies, Artesyn and the Artesyn Embedded Technologies logo are trademarks and service marks of Artesyn Embedded Technologies, Inc. All other names and logos referred to are trade names, trademarks, or registered trademarks of their respective owners. Specifications are subject to change without notice. © 2017 Artesyn Embedded Technologies, Inc. All rights reserved. For full legal terms and conditions, please visit [www.artesyn.com/legal](http://www.artesyn.com/legal).

For more information: [www.artesyn.com/power](http://www.artesyn.com/power)  
For support: [productsupport.ep@artesyn.com](mailto:productsupport.ep@artesyn.com)