



Chipsmall Limited consists of a professional team with an average of over 10 year of expertise in the distribution of electronic components. Based in Hongkong, we have already established firm and mutual-benefit business relationships with customers from,Europe,America and south Asia,supplying obsolete and hard-to-find components to meet their specific needs.

With the principle of “Quality Parts,Customers Priority,Honest Operation,and Considerate Service”,our business mainly focus on the distribution of electronic components. Line cards we deal with include Microchip,ALPS,ROHM,Xilinx,Pulse,ON,Everlight and Freescale. Main products comprise IC,Modules,Potentiometer,IC Socket,Relay,Connector.Our parts cover such applications as commercial,industrial, and automotives areas.

We are looking forward to setting up business relationship with you and hope to provide you with the best service and solution. Let us make a better world for our industry!



Contact us

Tel: +86-755-8981 8866 Fax: +86-755-8427 6832

Email & Skype: info@chipsmall.com Web: www.chipsmall.com

Address: A1208, Overseas Decoration Building, #122 Zhenhua RD., Futian, Shenzhen, China



16mm Rotary Encoder

Type DP16 Series

Type DP16 Series



16mm Rotary incremental encoder for use in electronic equipment.

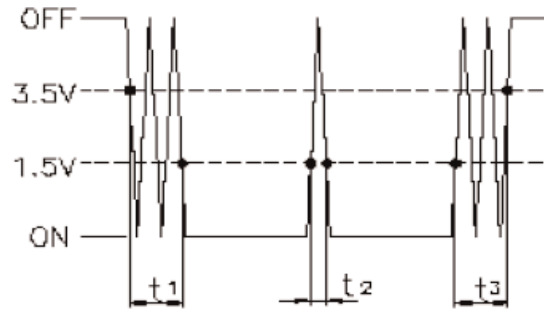
Can be supplied with customisation to standard options

Key Features

- 16mm Rotary Encoder
- Incremental Type
- Various Shaft Lengths
- Pulse Options
- Detent Options

Characteristics - Electrical

Pulses:	12 & 24
Contact Rating:	5VDC @ 5mA
Dielectric Strength:	50VAC / 1mA, 1 minute
Insulation Resistance (min):	10M ohms at 50VDC
Operating Speed (RPM):	60 RPM
Electrical Travel:	Continuous
Rotational Noise:	t ₂ = 2.0 ms max (see below)
Chattering:	t ₁ & t ₃ = 3.0 ms max (see below)



Code Off area V = 3.5V or more. Code on area V=1.5V or less

Characteristics - Mechanical

Total Mechanical Travel:	Continuous
Detents:	0, 12, 24
Shaft Type:	F – Flatted
Shaft Length (from Mounting Surface):	15, 20, 25

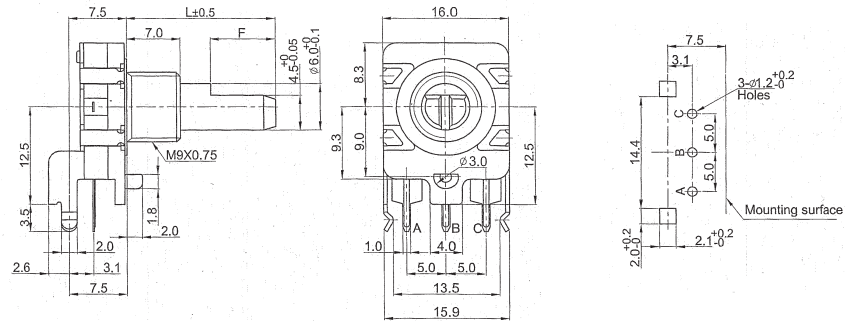
Characteristics - Environmental

Operating Temperature	-10 ~ +70 degrees C
Rotational Life	15,000 Cycles

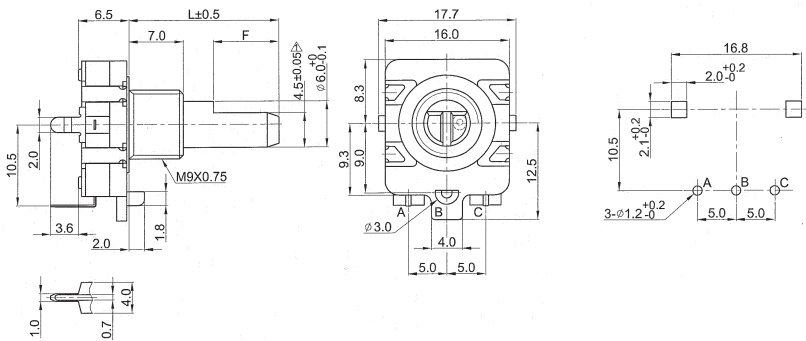
Output Signal Format

Shaft Rotational Direction	Signal	Format
Clockwise	A (Terminal A-C)	OFF ON
	B (Terminal B-C)	OFF ON
Anticlockwise	A (Terminal A-C)	OFF ON
	B (Terminal B-C)	OFF ON

Dimensions DP16H



DP16V



Shaft Length

L	15	20	25
F	7	12	12

How to Order

DP16	H	N	12	A	15	F
Common Part	Orientation	Detent	Pulses	Bush Details	Shaft Length	Shaft Style
DP16 – No Switch	H - Horizontal V - Vertical	N - None 12 – 12 Clicks 24 – 24 Clicks	12 – 12 Pulses 24 – 24 Pulses	A – 5mm B – 7mm	15 – 15mm 20 – 20mm 25 – 25mm	F - Flatted