



Chipsmall Limited consists of a professional team with an average of over 10 year of expertise in the distribution of electronic components. Based in Hongkong, we have already established firm and mutual-benefit business relationships with customers from,Europe,America and south Asia,supplying obsolete and hard-to-find components to meet their specific needs.

With the principle of “Quality Parts,Customers Priority,Honest Operation,and Considerate Service”,our business mainly focus on the distribution of electronic components. Line cards we deal with include Microchip,ALPS,ROHM,Xilinx,Pulse,ON,Everlight and Freescale. Main products comprise IC,Modules,Potentiometer,IC Socket,Relay,Connector.Our parts cover such applications as commercial,industrial, and automotives areas.

We are looking forward to setting up business relationship with you and hope to provide you with the best service and solution. Let us make a better world for our industry!



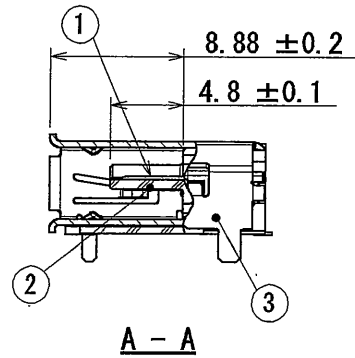
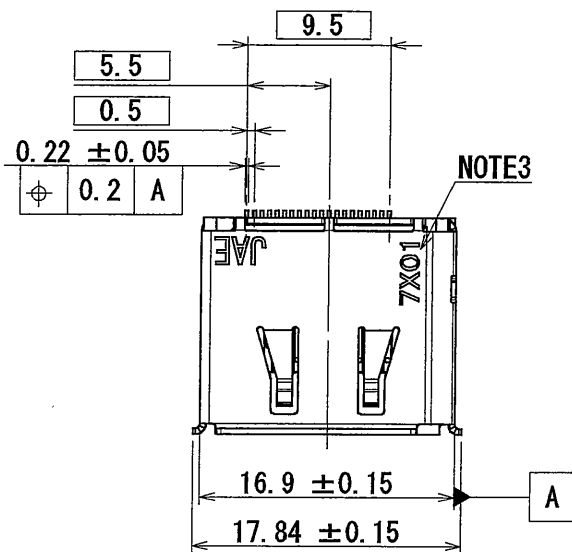
Contact us

Tel: +86-755-8981 8866 Fax: +86-755-8427 6832

Email & Skype: info@chipsmall.com Web: www.chipsmall.com

Address: A1208, Overseas Decoration Building, #122 Zhenhua RD., Futian, Shenzhen, China

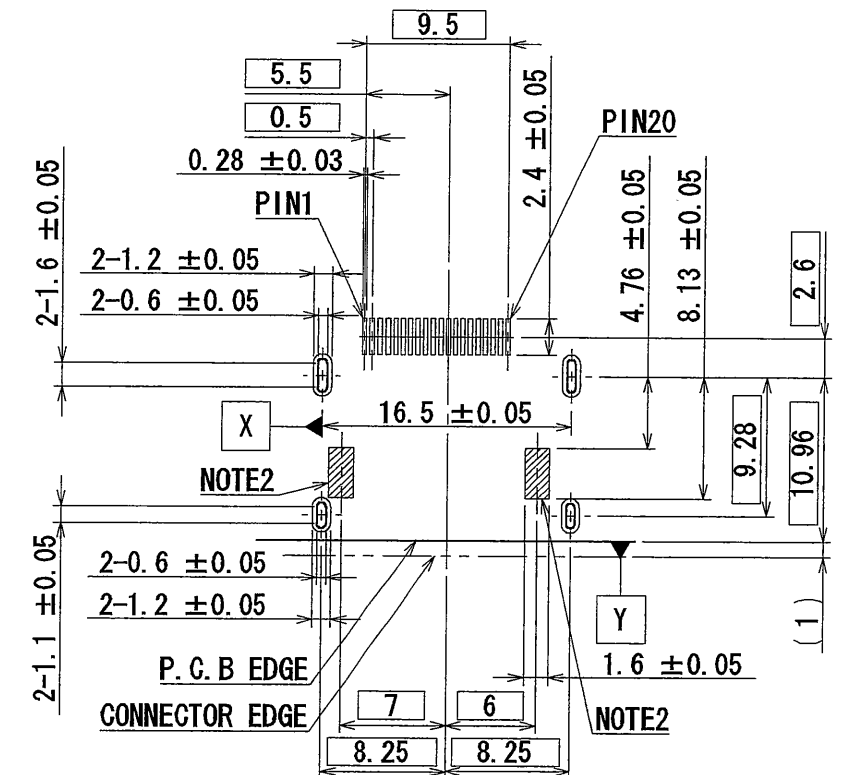
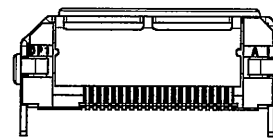
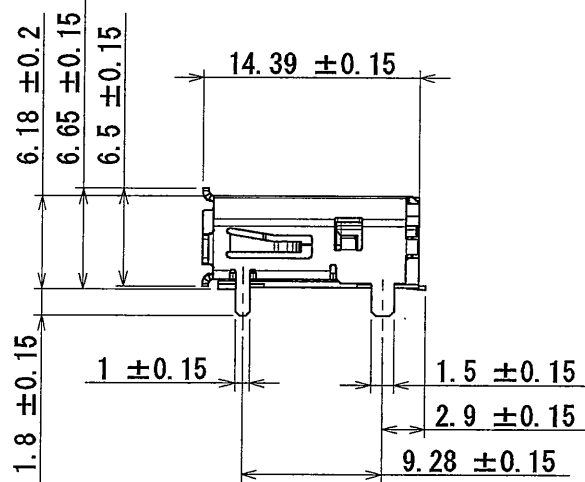
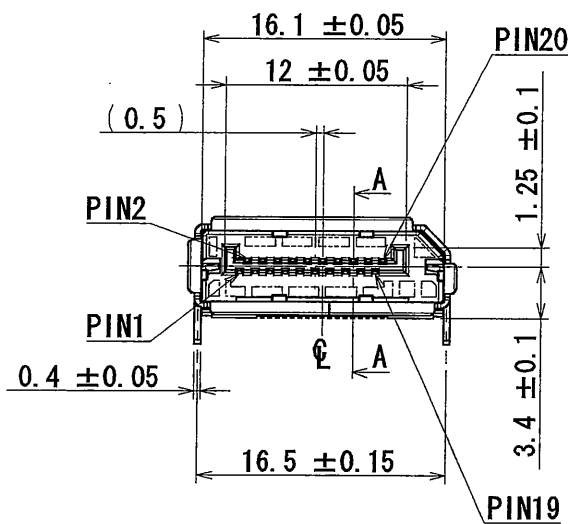




NOTE1. COPLANALITY OF SMT TERMINAL IS 0.1 MAX.
2. THERE MUST NOT BE WIRING IN HATCHING AREA.
3. PRODUCTION LOT NUMBER IS MARKED ON THE TOP OF SHELL.

注1. SMT端子のコプラナリティは0.1以下とする。
2. ハッチング内のパターンは不可とする。
3. 図示の位置にロットNo.を表示する。
(EX.)

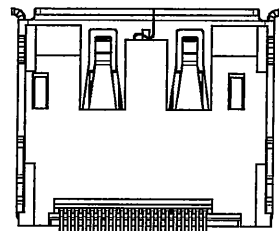
7 X 0.1
生産日 DAY(01~31)
生産月 MONTH(1~9、OCT:0、NOV:X、DEC:Y)
生産年(西暦下一桁) YEAR(LAST DIGIT ONLY)



ALL POSITION TOLERANCE

⊕	0.06	X	Y
---	------	---	---

APPLICABLE P.C.B. DIMENTION(REF.)
適合基板寸法(参考)



3	SHELL シェル	1	COPPER ALLOY 銅合金	NICKEL PLATING Niめっき	-
2	INSULATOR インシュレータ	1	HEAT RESISTING PLASTICS 耐熱性プラスチック	-	UL94V-0 COLOR:BLACK 色相:黒
1	CONTACT コンタクト	20	COPPER ALLOY 銅合金	CONTACT AREA: GOLD PLATING OVER NICKEL TERMINAL AREA: TIN PLATING OVER NICKEL 接触部: Ni上Auめっき 端子部: Snめっき	CONTACT AREA: Au0.3μm MIN. 接触部: Au0.3μm 以上
符号 No.	名称 DESCRIPTION	個数 QTY.	材料 MATERIAL	仕上 FINISH	備考 REMARKS
仕様書(SPECIFICATION) JACS-30115-1		第1版(ORIGINAL DATE) 31/JAN/2008		尺度(SCALE) 2:1	シリーズ(SERIES) DPI
一般公差(GENERAL TOLERANCE)		製図 DR.		名称(TITLE) DP1RD20JQ2	
寸法(DIMENSION)		担当 CHK. T. WASHIO		日本航空電子工業株式会社	
角度(ANGLES)		査閲 APPD. Id. Ohno		JAE JAPAN AVIATION ELECTRONICS INDUSTRY,LTD.	
. ± 0.8		承認 APPD. J. Kubota		図面番号(DRAWING NO.) SJ108341	
. × ± 0.4		質量(MASS)		版数 (REV.) 1	
. × × ± 0.1					
. × × × ±					

