



Chipsmall Limited consists of a professional team with an average of over 10 year of expertise in the distribution of electronic components. Based in Hongkong, we have already established firm and mutual-benefit business relationships with customers from,Europe,America and south Asia,supplying obsolete and hard-to-find components to meet their specific needs.

With the principle of "Quality Parts,Customers Priority,Honest Operation,and Considerate Service",our business mainly focus on the distribution of electronic components. Line cards we deal with include Microchip,ALPS,ROHM,Xilinx,Pulse,ON,Everlight and Freescale. Main products comprise IC,Modules,Potentiometer,IC Socket,Relay,Connector.Our parts cover such applications as commercial,industrial, and automotives areas.

We are looking forward to setting up business relationship with you and hope to provide you with the best service and solution. Let us make a better world for our industry!



Contact us

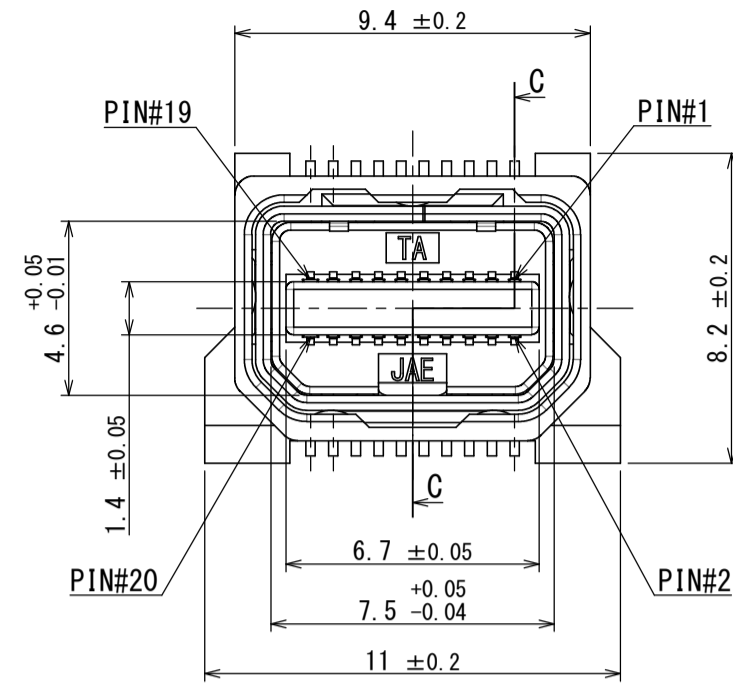
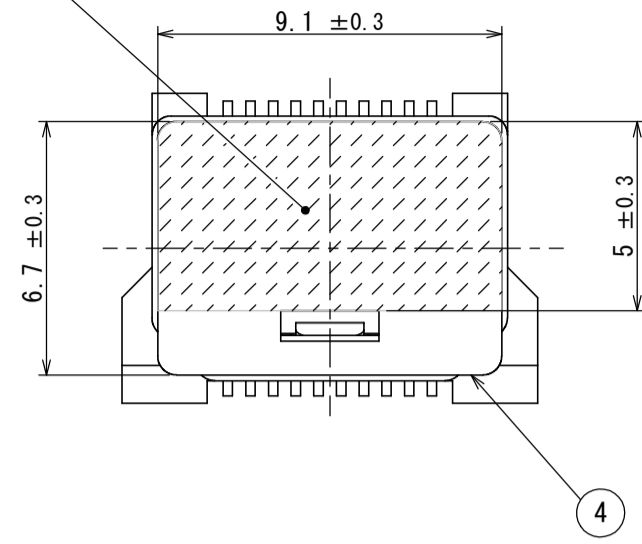
Tel: +86-755-8981 8866 Fax: +86-755-8427 6832

Email & Skype: info@chipsmall.com Web: www.chipsmall.com

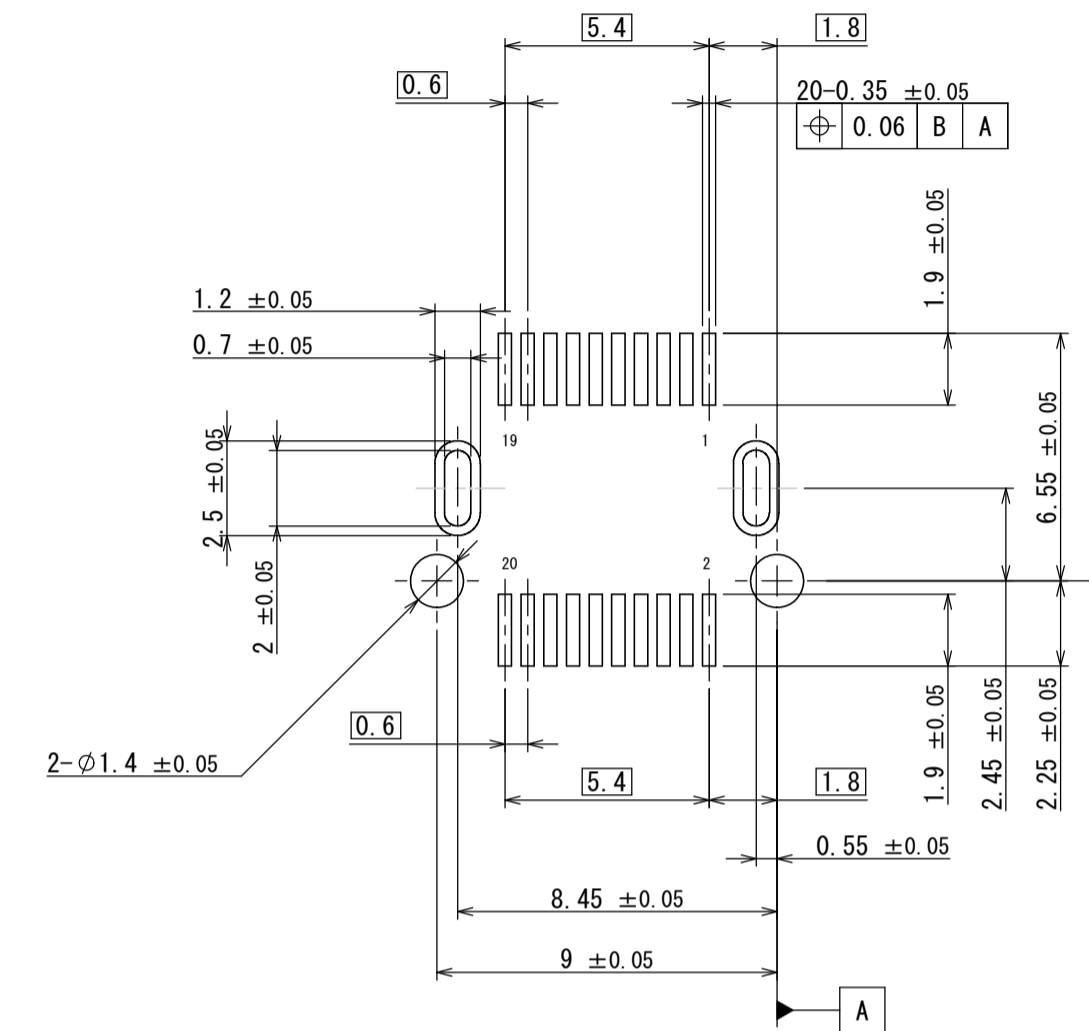
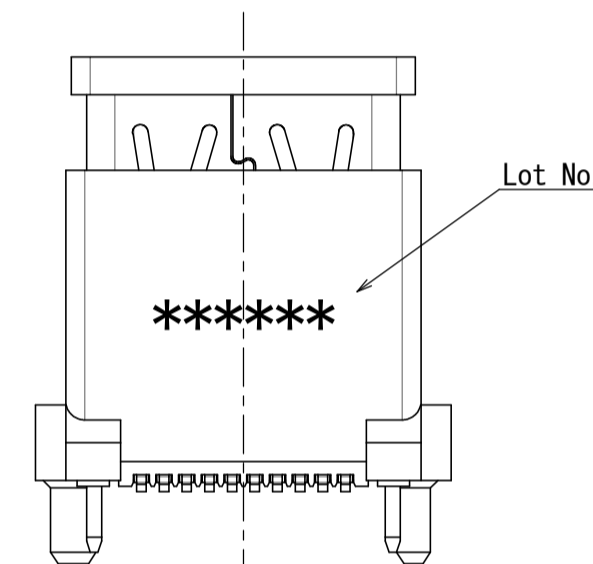
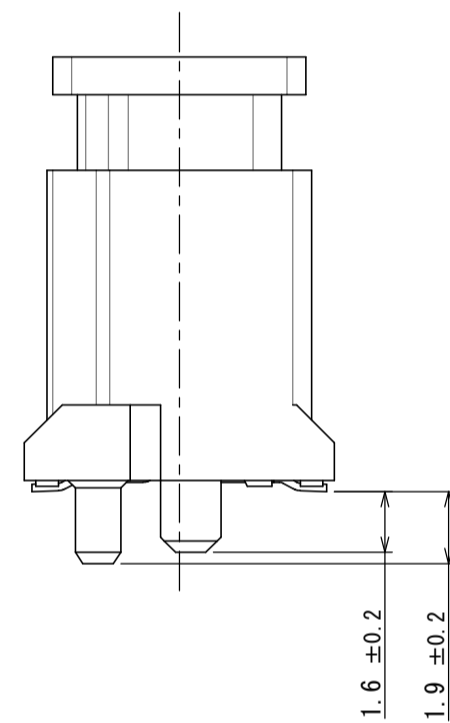
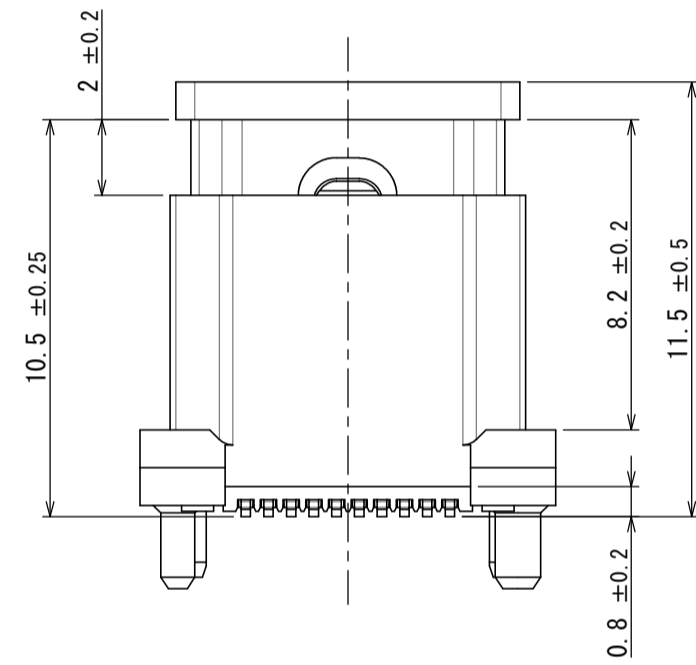
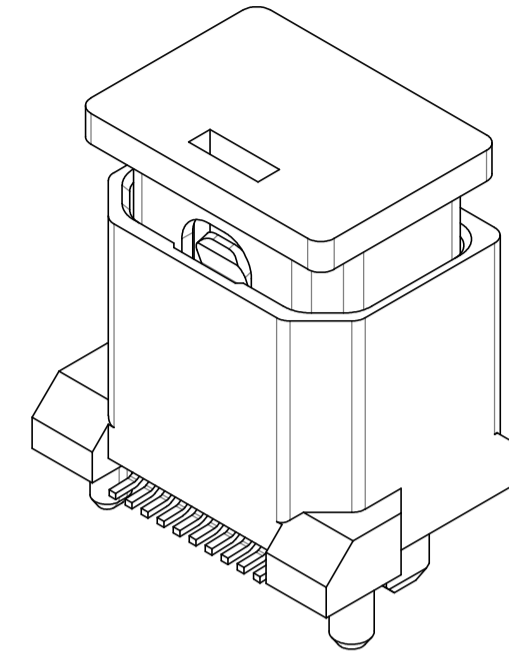
Address: A1208, Overseas Decoration Building, #122 Zhenhua RD., Futian, Shenzhen, China



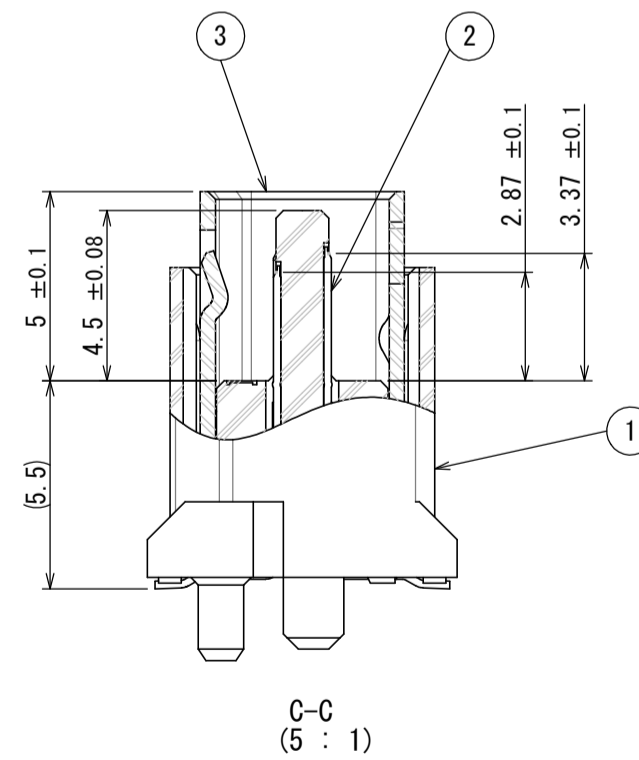
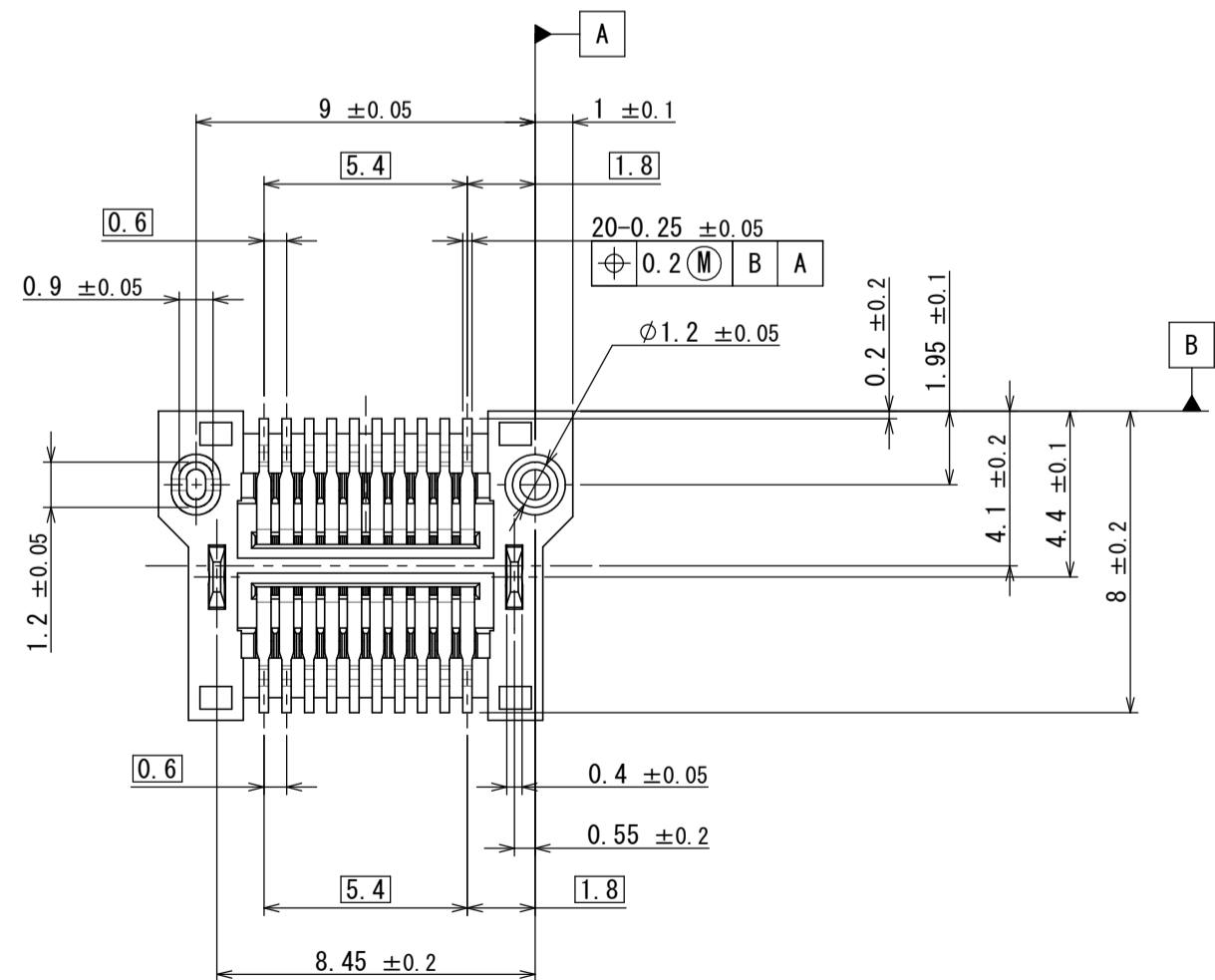
THE ADSORPTION SURFACE
吸着面



WITHOUT CAP
キャップを外した状態



APPLICABLE P.C.B DIMENSION (REF.)
適合基板寸法 (参考)



4	CAP	1	HEAT RESISTING PLASTIC	-	COLOR: BLACK
3	SHELL	1	STAINLESS STEEL	NICKEL PLATING	-
2	CONTACT	20	COPPER ALLOY	CONTACT AREA: GOLD OVER NICKEL TERMINAL AREA: MATTE TIN PLATING OVER NICKEL	CONTACT AREA: Au 0.3 μm MIN. TERMINAL AREA: Sn 1.5 μm MIN.
1	INSULATOR	1	HEAT RESISTING PLASTIC	-	UL94V-0 HALOGEN-FREE COLOR: BLACK

仕様書 (SPECIFICATION) JACS-30248-04	第1版 (ORIGINAL DATE) 18/APR/2013	尺度 (SCALE) 5:1	シリーズ (SERIES) DP3A	製図 DR. M. KATAYANAGI	名称 (TITLE) DP3A20WQ1	製図 DR. T. MASUMOTO	図面番号 (DRAWING NO.) SJ114076
一般公差 (GENERAL TOLERANCE) 寸法 (DIMENSION): ∠ 角度 (ANGLES): × × ± 0.4 × × × ± 0.1 × × × ±	単位 (UNIT): mm	質量 (MASS)	備考 (REMARKS)	承認 APPD.	承認 APPD.	承認 APPD.	承認 APPD.