



Chipsmall Limited consists of a professional team with an average of over 10 year of expertise in the distribution of electronic components. Based in Hongkong, we have already established firm and mutual-benefit business relationships with customers from,Europe,America and south Asia,supplying obsolete and hard-to-find components to meet their specific needs.

With the principle of "Quality Parts,Customers Priority,Honest Operation,and Considerate Service",our business mainly focus on the distribution of electronic components. Line cards we deal with include Microchip,ALPS,ROHM,Xilinx,Pulse,ON,Everlight and Freescale. Main products comprise IC,Modules,Potentiometer,IC Socket,Relay,Connector.Our parts cover such applications as commercial,industrial, and automotives areas.

We are looking forward to setting up business relationship with you and hope to provide you with the best service and solution. Let us make a better world for our industry!



## Contact us

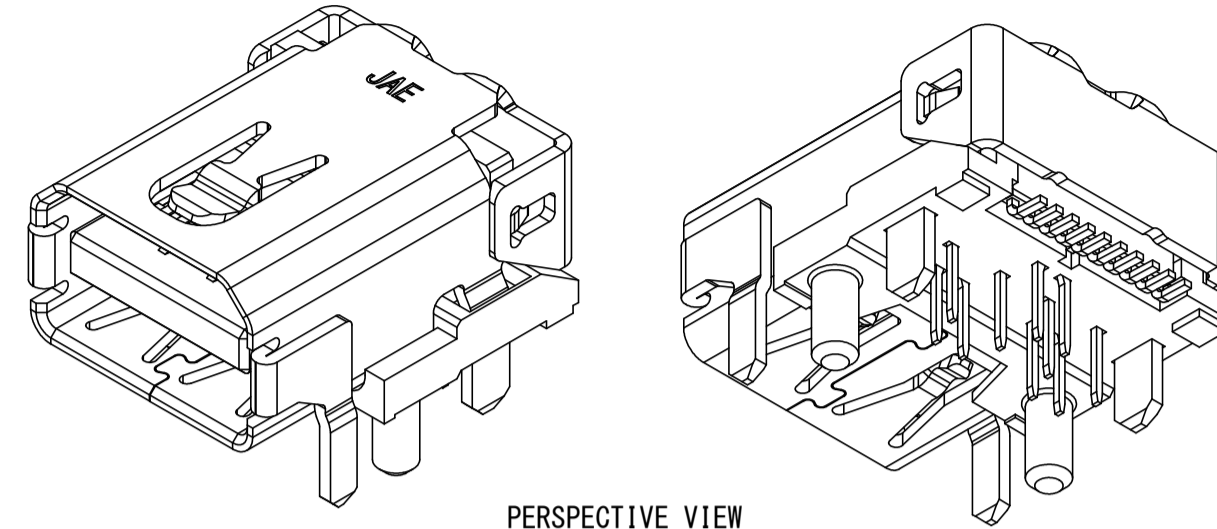
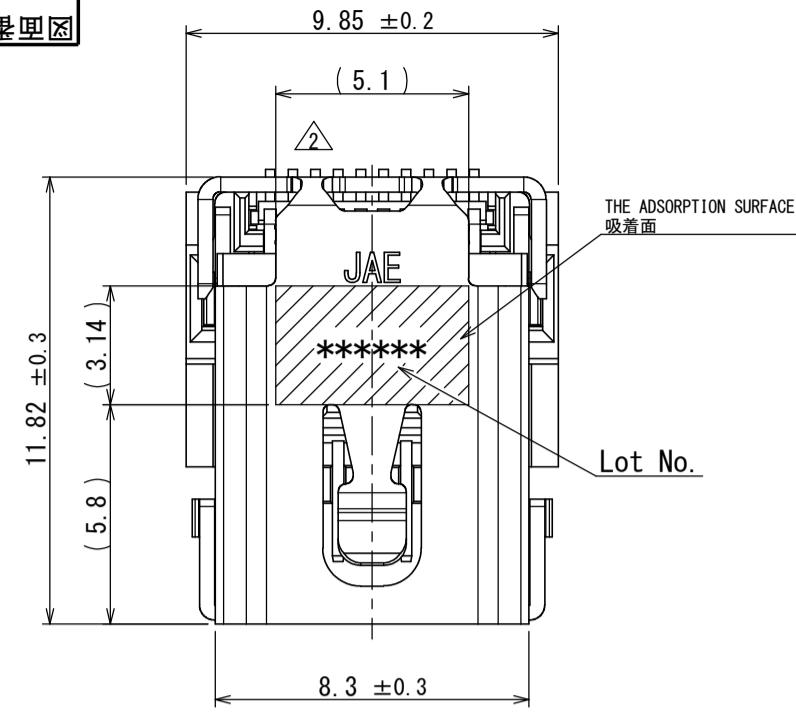
Tel: +86-755-8981 8866 Fax: +86-755-8427 6832

Email & Skype: info@chipsmall.com Web: www.chipsmall.com

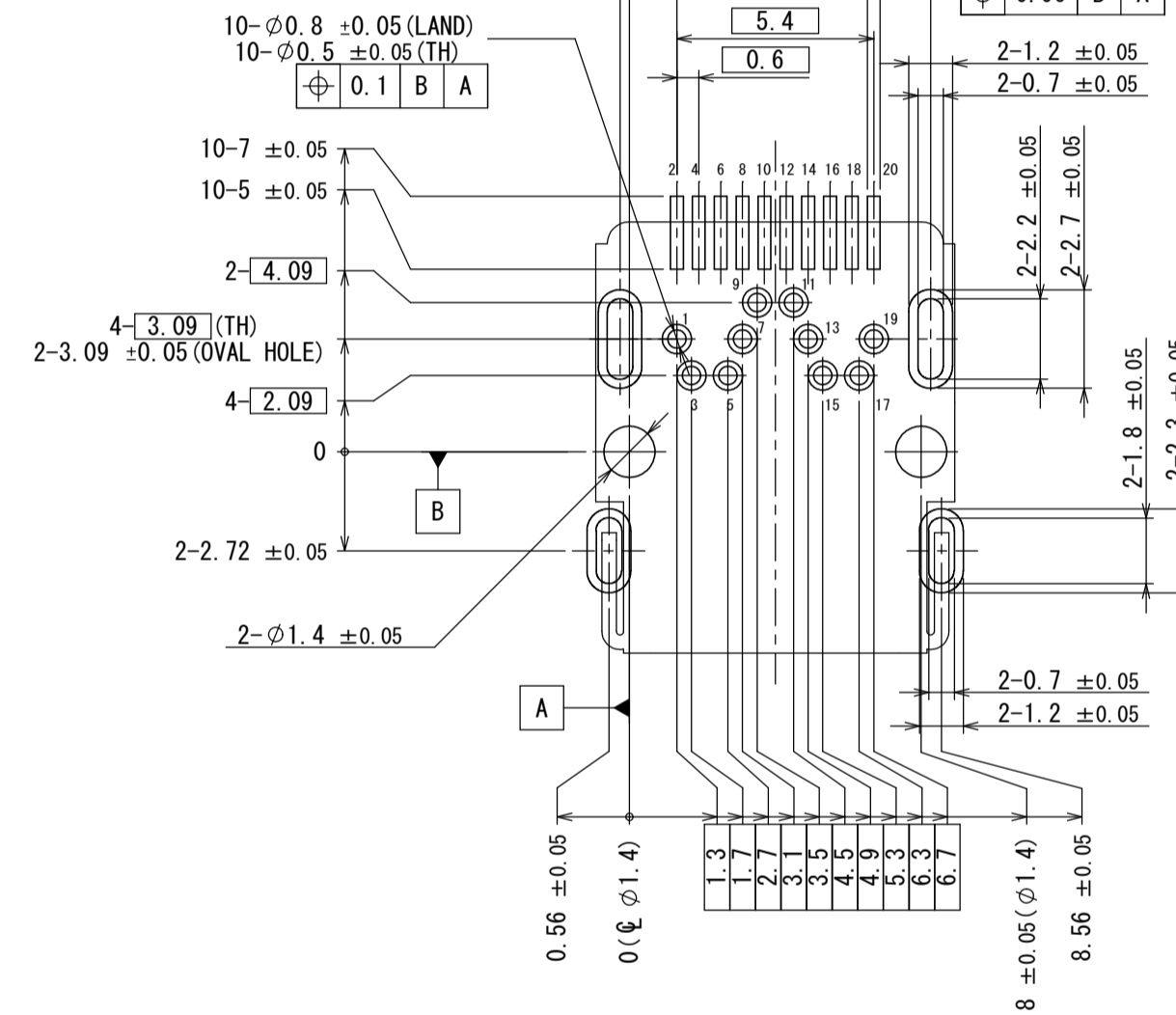
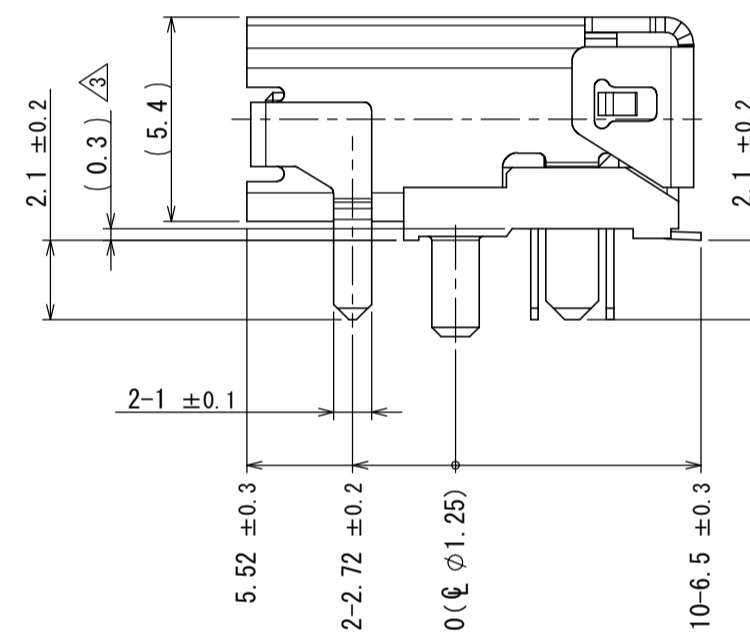
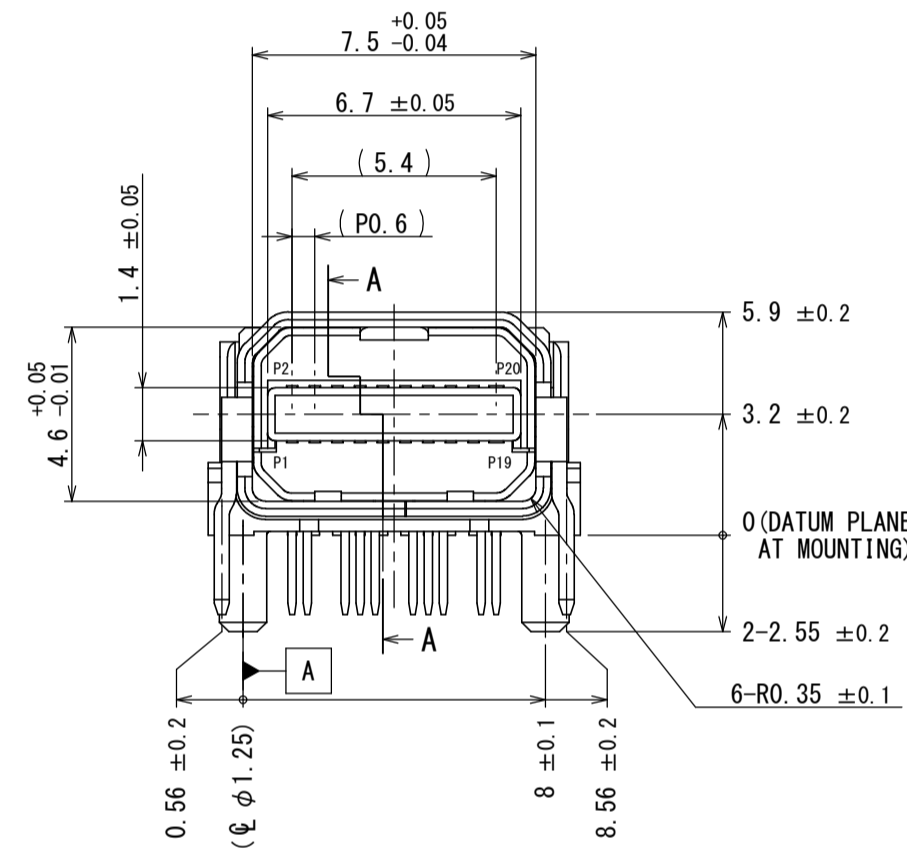
Address: A1208, Overseas Decoration Building, #122 Zhenhua RD., Futian, Shenzhen, China



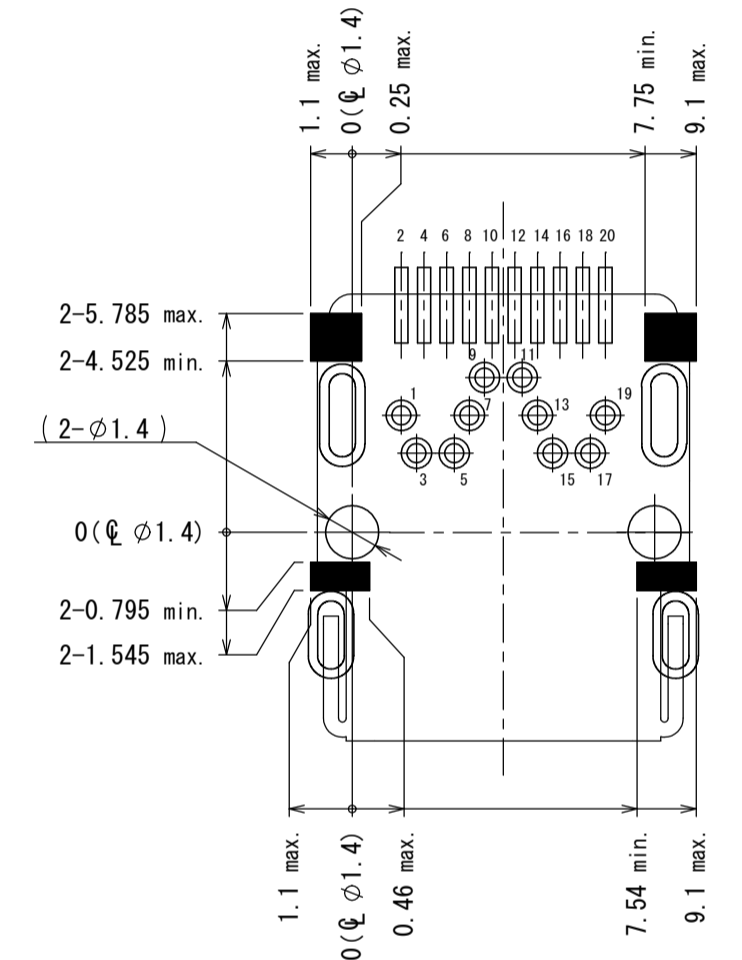
版数 VER.	年月日 DATE	CN NO.	変更内容 DESCRIPTION	製図 DR.	担当 CHK.	査閲 APPD.	承認 APPD.
2	22/FEB/2012	001889	REVISED FORM	—	M. KATAYANAGI	—	S. AIHARA
3	12/APR/2012	002403	REVISED NOTE, ADDED DIMENSION	—	M. KATAYANAGI	—	S. AIHARA
4	03/AUG/2012	003582	CORRECT AN ERROR	—	M. KATAYANAGI	—	S. AIHARA
5	14/FEB/2013	005373	REVISED DIMENSION	—	M. KATAYANAGI	—	S. AIHARA



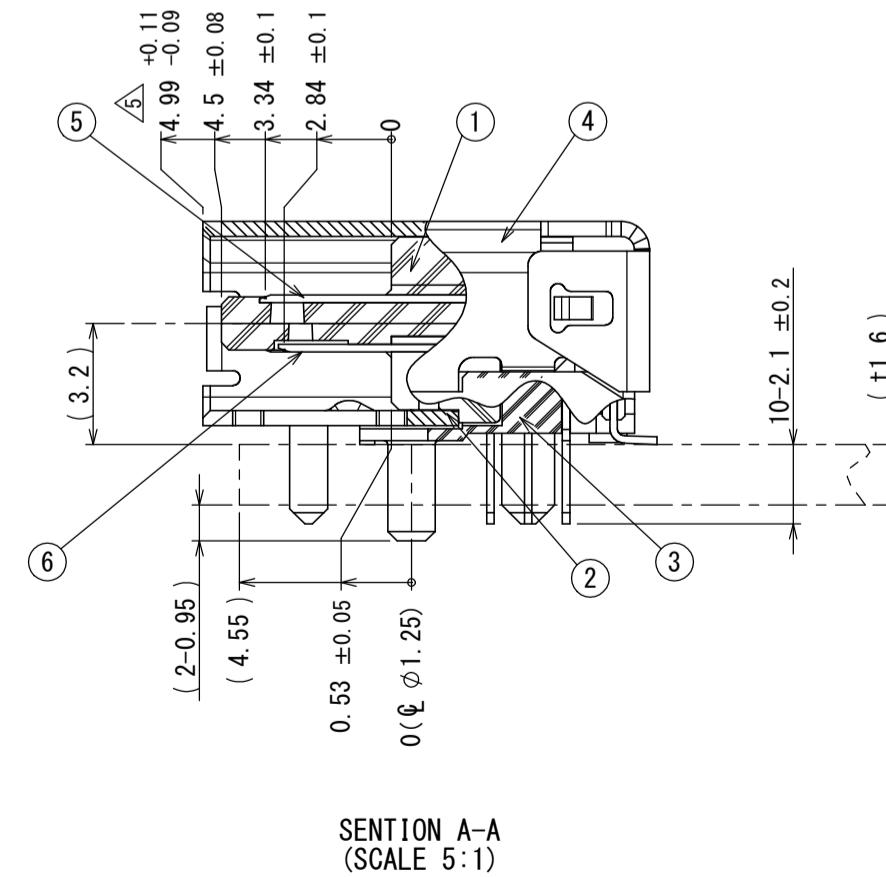
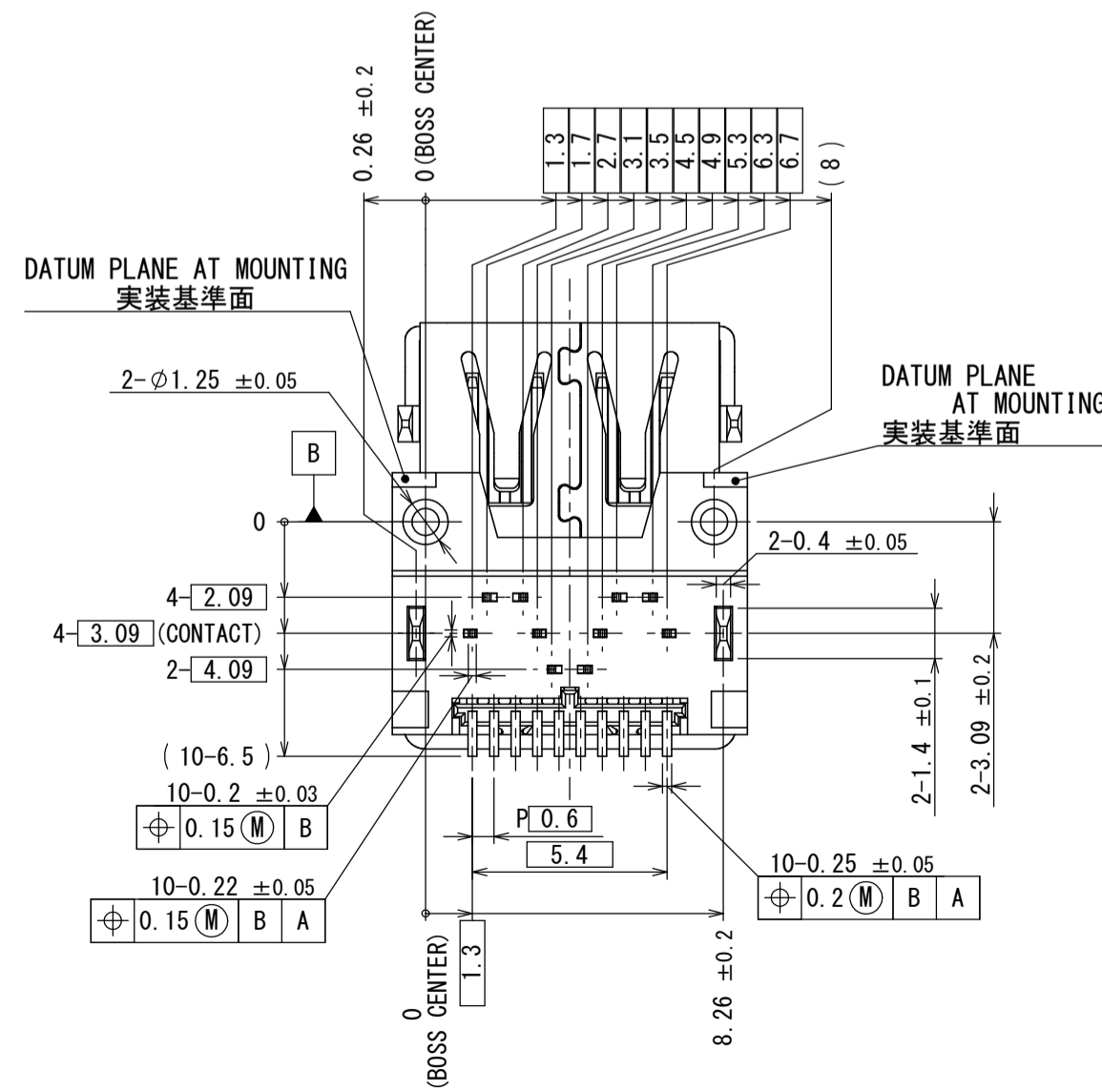
PERSPECTIVE VIEW  
(SCALE 5:1)



APPLICABLE P.C.B DIMENSION (REF.)  
適合基板寸法 (参考)



DIMENSION OF CONNECTOR INSULATOR ON SURFACE OF P.C.B  
(PATTERN PROHIBITION AREA)  
パターン配置禁止エリア



SECTION A-A  
(SCALE 5:1)

6	LOWER CONTACT	10	COPPER ALLOY	CONTACT AREA: GOLD OVER NICKEL TERMINAL AREA: MATTE TIN PLATING OVER NICKEL	CONTACT AREA: Au0.3 μm MIN. TERMINAL AREA: Sn1.5 μm MIN.
5	UPPER CONTACT	10	COPPER ALLOY	CONTACT AREA: GOLD OVER NICKEL TERMINAL AREA: MATTE TIN PLATING OVER NICKEL	CONTACT AREA: Au0.3 μm MIN. TERMINAL AREA: Sn1.5 μm MIN.
4	SHELL	1	STAINLESS STEEL	NICKEL PLATING	—
3	LOCATOR	1	LCP	—	COLOR: BLACK HALOGEN-FREE
2	LOWER INSULATOR	1	LCP	—	COLOR: BLACK HALOGEN-FREE
1	UPPER INSULATOR	1	LCP	—	COLOR: BLACK HALOGEN-FREE

符号 NO.	名称 DESCRIPTION	数量 QTY.	材料 MATERIAL	仕上 FINISH	備考 REMARKS
仕様書 (SPECIFICATION) JACS-30248		第1版 (ORIGINAL DATE) 28/OCT/2011		尺度 (SCALE) シリーズ (SERIES) 5:1 DP3	
一般公差 (GENERAL TOLERANCE)		製図 DR.		名称 (TITLE) DP3R020RU32JQ1	
寸法 (DIMENSION)		担当 CHK.		質量 (MASS)	
角度 (ANGLES)		査閲 APPD.		単位 (UNIT): mm	
× ± 0.4		承認 APPD.		図面番号 (DRAWING NO.) SJ112290	
× × ± 0.1		承認 APPD.		版数 (VER.) 5	
× × × ±		承認 APPD.		図面番号 (DRAWING NO.) SJ112290	