



Chipsmall Limited consists of a professional team with an average of over 10 year of expertise in the distribution of electronic components. Based in Hongkong, we have already established firm and mutual-benefit business relationships with customers from,Europe,America and south Asia,supplying obsolete and hard-to-find components to meet their specific needs.

With the principle of “Quality Parts,Customers Priority,Honest Operation,and Considerate Service”,our business mainly focus on the distribution of electronic components. Line cards we deal with include Microchip,ALPS,ROHM,Xilinx,Pulse,ON,Everlight and Freescale. Main products comprise IC,Modules,Potentiometer,IC Socket,Relay,Connector.Our parts cover such applications as commercial,industrial, and automotives areas.

We are looking forward to setting up business relationship with you and hope to provide you with the best service and solution. Let us make a better world for our industry!



Contact us

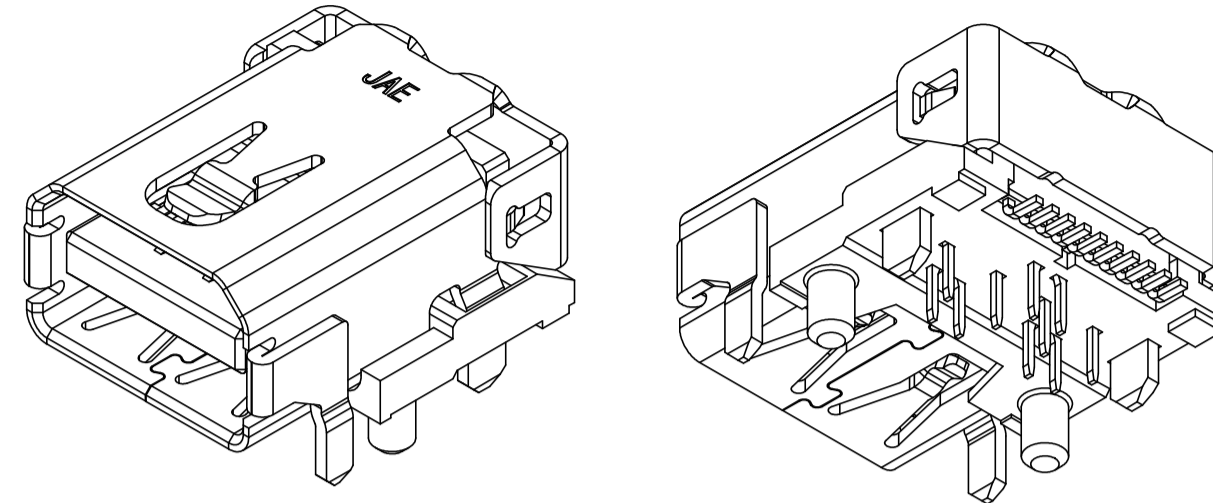
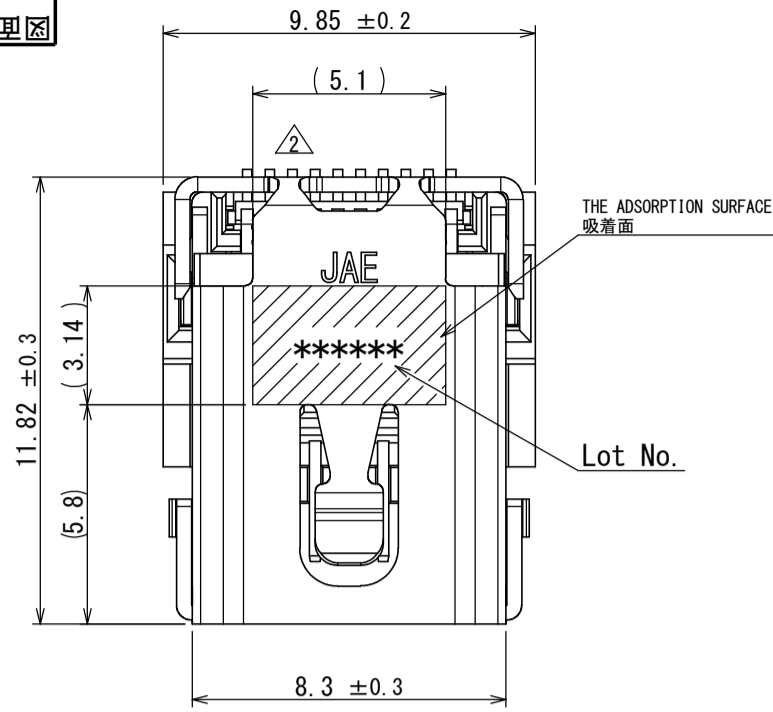
Tel: +86-755-8981 8866 Fax: +86-755-8427 6832

Email & Skype: info@chipsmall.com Web: www.chipsmall.com

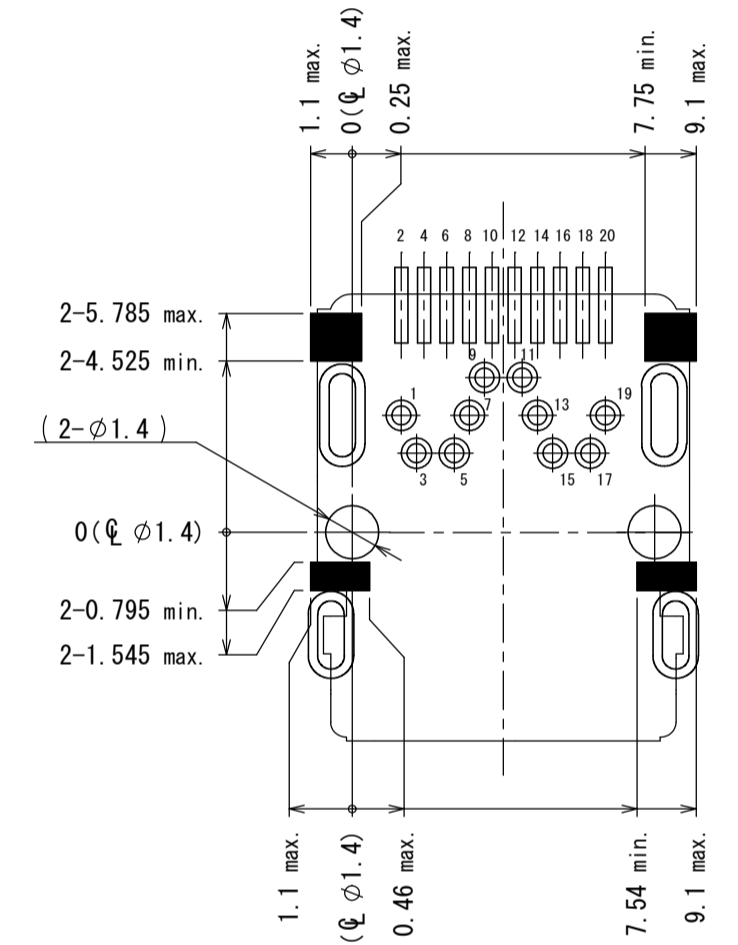
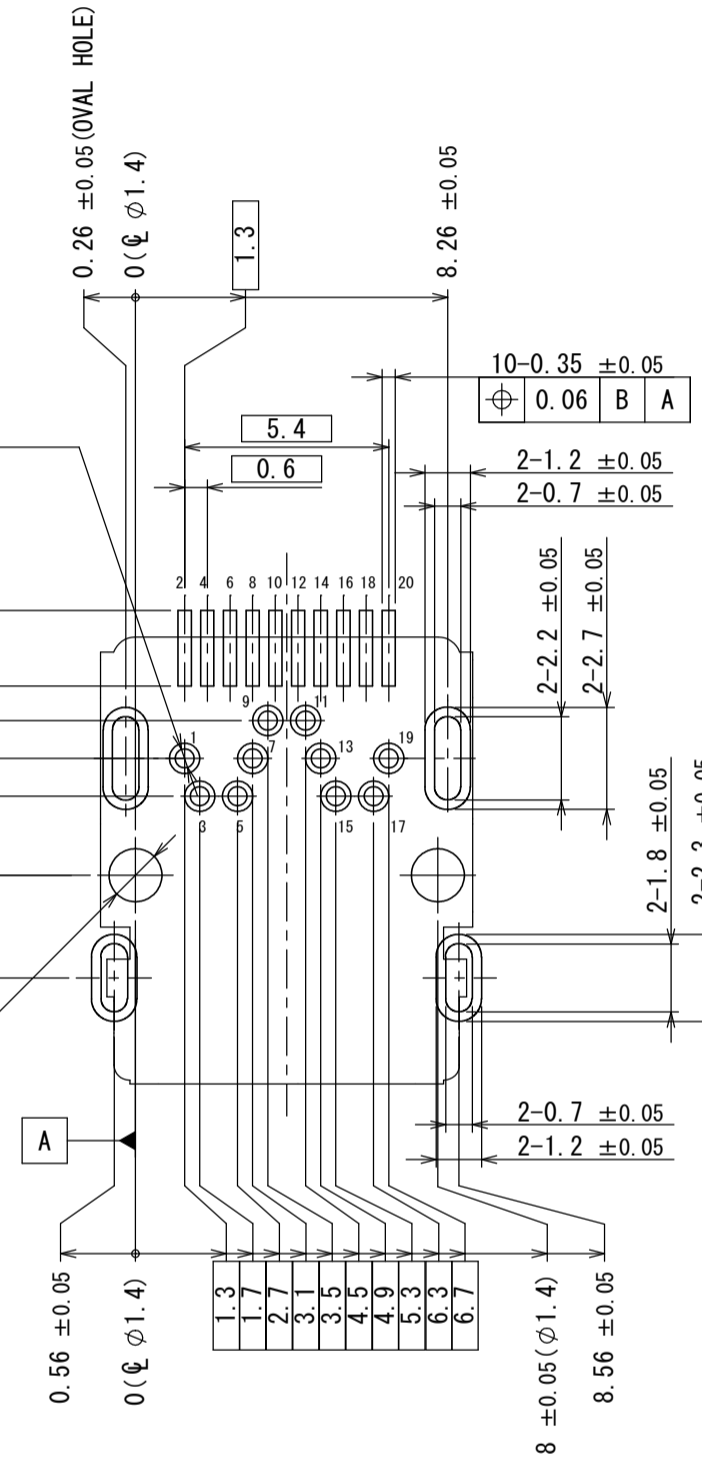
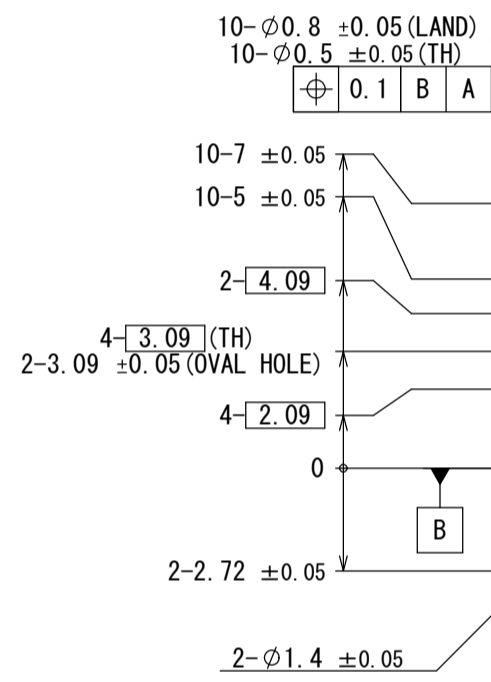
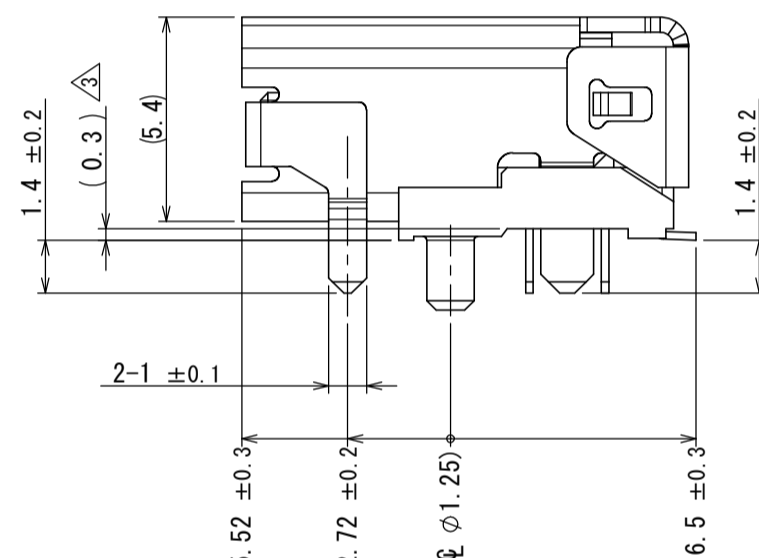
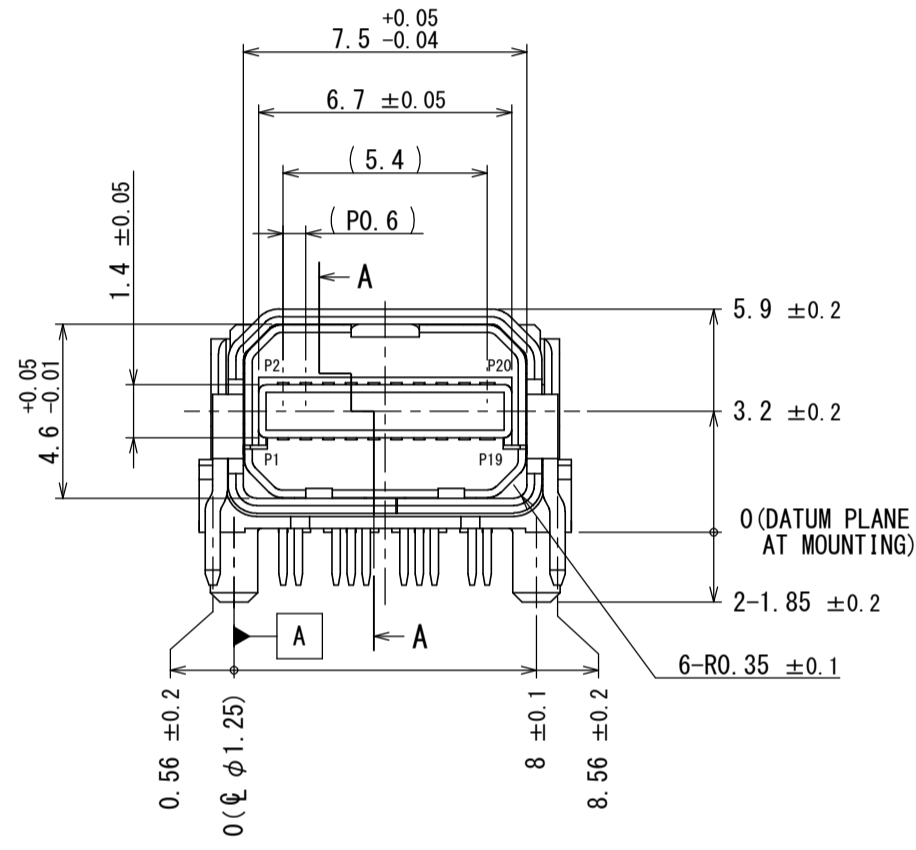
Address: A1208, Overseas Decoration Building, #122 Zhenhua RD., Futian, Shenzhen, China



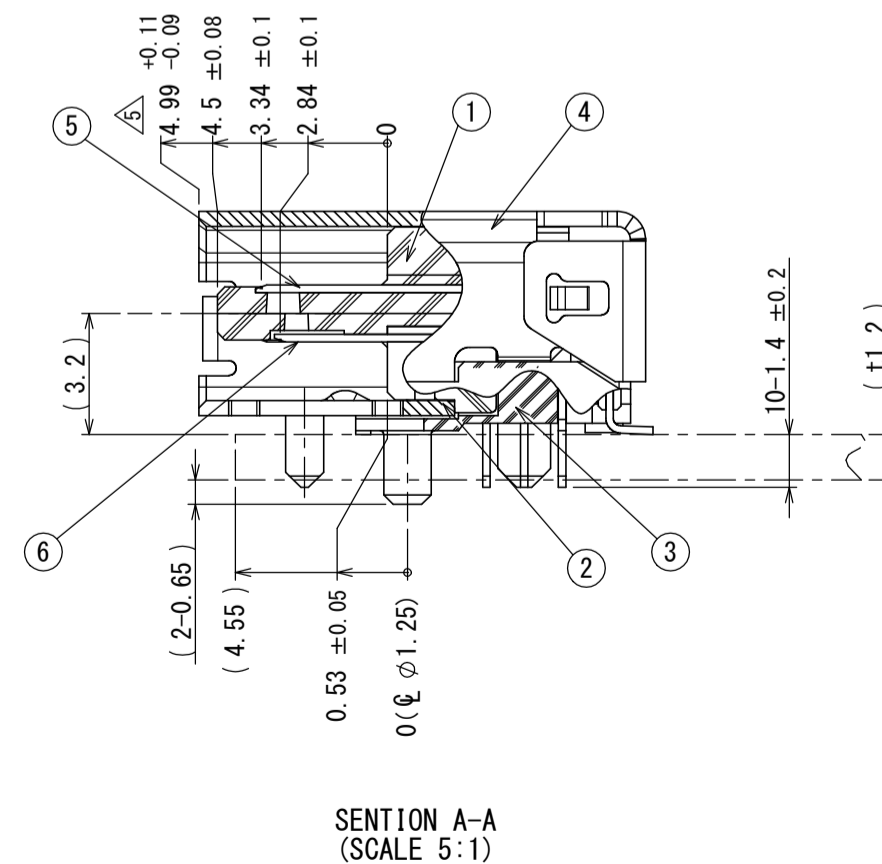
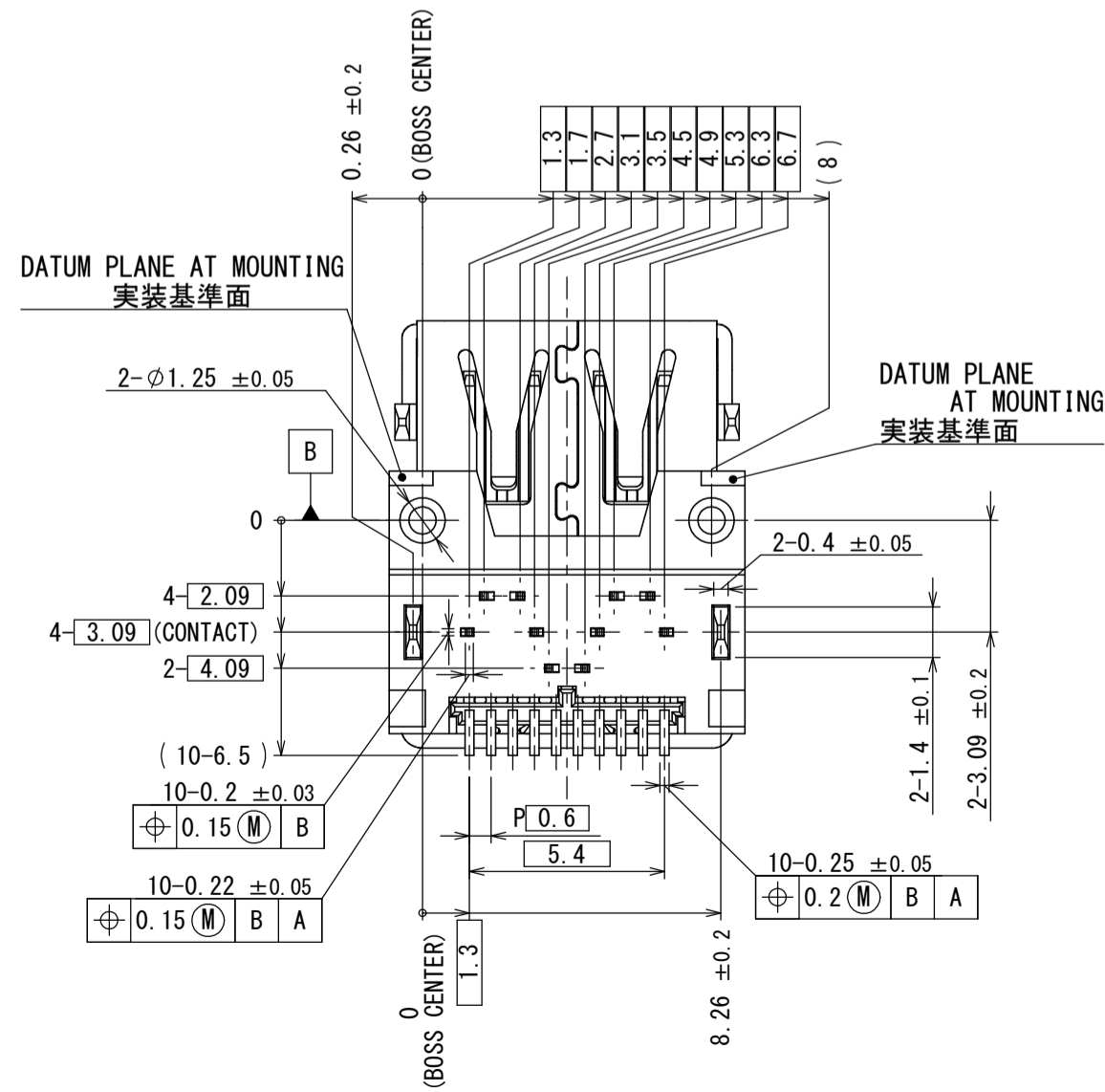
| 版数 VER. | 年月日 DATE | CN NO. | 変更内容 DESCRIPTION | 製図 DR. | 担当 CHK. | 査閲 APPD. | 承認 APPD. |
|------------|-------------|--------|-------------------------------|-----------|---------------|-------------|-------------|
| 2 | 22/FEB/2012 | 001889 | REVISED FORM | — | M. KATAYANAGI | — | S. AIHARA |
| 3 | 12/APR/2012 | 002403 | REVISED NOTE, ADDED DIMENSION | — | M. KATAYANAGI | — | S. AIHARA |
| 4 | 03/AUG/2012 | 003582 | CORRECT AN ERROR | — | M. KATAYANAGI | — | S. AIHARA |
| 5 | 14/FEB/2013 | 005373 | REVISED DIMENSION | — | M. KATAYANAGI | — | S. AIHARA |



PERSPECTIVE VIEW (SCALE 5:1)



DIMENSION OF CONNECTOR INSULATOR ON SURFACE OF P.C.B (PATTERN PROHIBITION AREA) パターン配置禁止エリア



SECTION A-A (SCALE 5:1)

APPLICABLE P.C.B DIMENSION (REF.) 適合基板寸法 (参考)

| 符号 NO. | 名称 DESCRIPTION | 個数 QTY. | 材料 MATERIAL | 仕上 FINISH | 備考 REMARKS |
|-----------|-------------------|------------|-----------------|--------------|--|
| 6 | LOWER CONTACT | 10 | COPPER ALLOY | | CONTACT AREA: GOLD OVER NICKEL TERMINAL AREA: MATTE TIN PLATING OVER NICKEL |
| 5 | UPPER CONTACT | 10 | COPPER ALLOY | | CONTACT AREA: GOLD OVER NICKEL TERMINAL AREA: MATTE TIN PLATING OVER NICKEL |
| 4 | SHELL | 1 | STAINLESS STEEL | | NICKEL PLATING |
| 3 | LOCATOR | 1 | LCP | | COLOR: BLACK HALOGEN-FREE |
| 2 | LOWER INSULATOR | 1 | LCP | | COLOR: BLACK HALOGEN-FREE |
| 1 | UPPER INSULATOR | 1 | LCP | | COLOR: BLACK HALOGEN-FREE |

| 仕様書 (SPECIFICATION) | | 第1版 (ORIGINAL DATE) | | シリーズ (SERIES) | |
|--------------------------|--|---------------------|--|---------------|--|
| JACS-30248 | | 28/OCT/2011 | | DP3 | |
| 一般公差 (GENERAL TOLERANCE) | | 製図 DR. | | 名称 (TITLE) | |
| 寸法 (DIMENSION): | | 担当 CHK. | | DP3R020RU32JQ | |
| . ± 0.8 | | M. KATAYANAGI | | 質量 (MASS) | |
| . × ± 0.4 | | 査閲 APPD. | | — | |
| . × × ± 0.1 | | 承認 APPD. | | — | |
| . × × × ± | | S. AIHARA | | — | |
| 単位 (UNIT): mm | | | | — | |