



Chipsmall Limited consists of a professional team with an average of over 10 year of expertise in the distribution of electronic components. Based in Hongkong, we have already established firm and mutual-benefit business relationships with customers from,Europe,America and south Asia,supplying obsolete and hard-to-find components to meet their specific needs.

With the principle of “Quality Parts,Customers Priority,Honest Operation,and Considerate Service”,our business mainly focus on the distribution of electronic components. Line cards we deal with include Microchip,ALPS,ROHM,Xilinx,Pulse,ON,Everlight and Freescale. Main products comprise IC,Modules,Potentiometer,IC Socket,Relay,Connector.Our parts cover such applications as commercial,industrial, and automotives areas.

We are looking forward to setting up business relationship with you and hope to provide you with the best service and solution. Let us make a better world for our industry!



Contact us

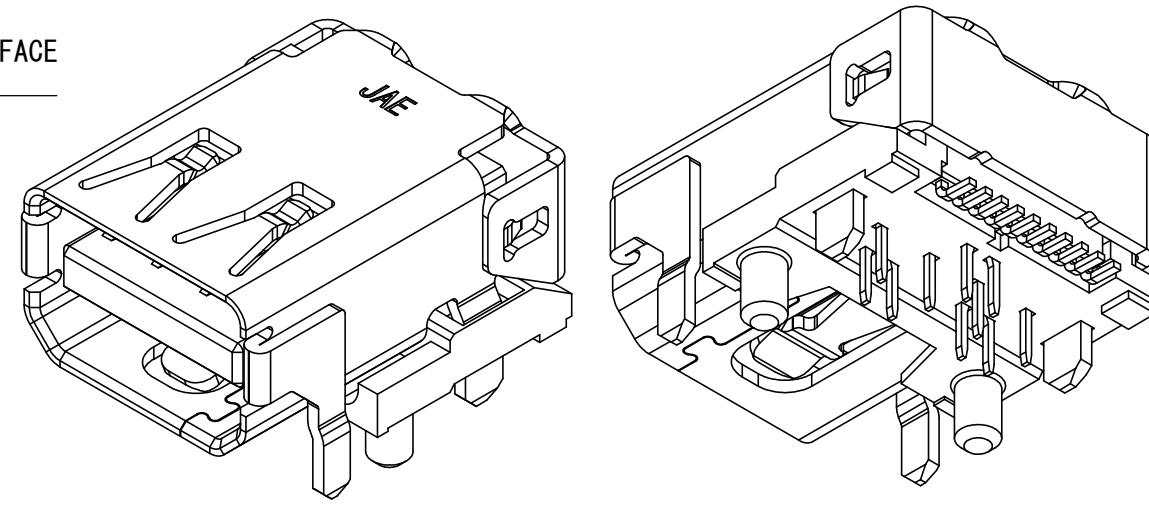
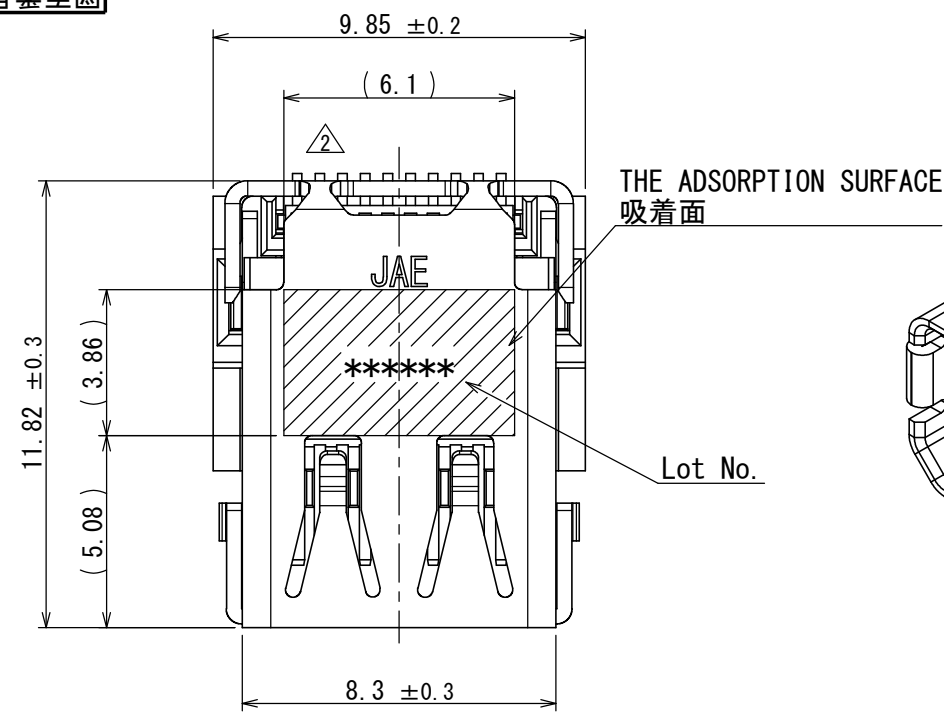
Tel: +86-755-8981 8866 Fax: +86-755-8427 6832

Email & Skype: info@chipsmall.com Web: www.chipsmall.com

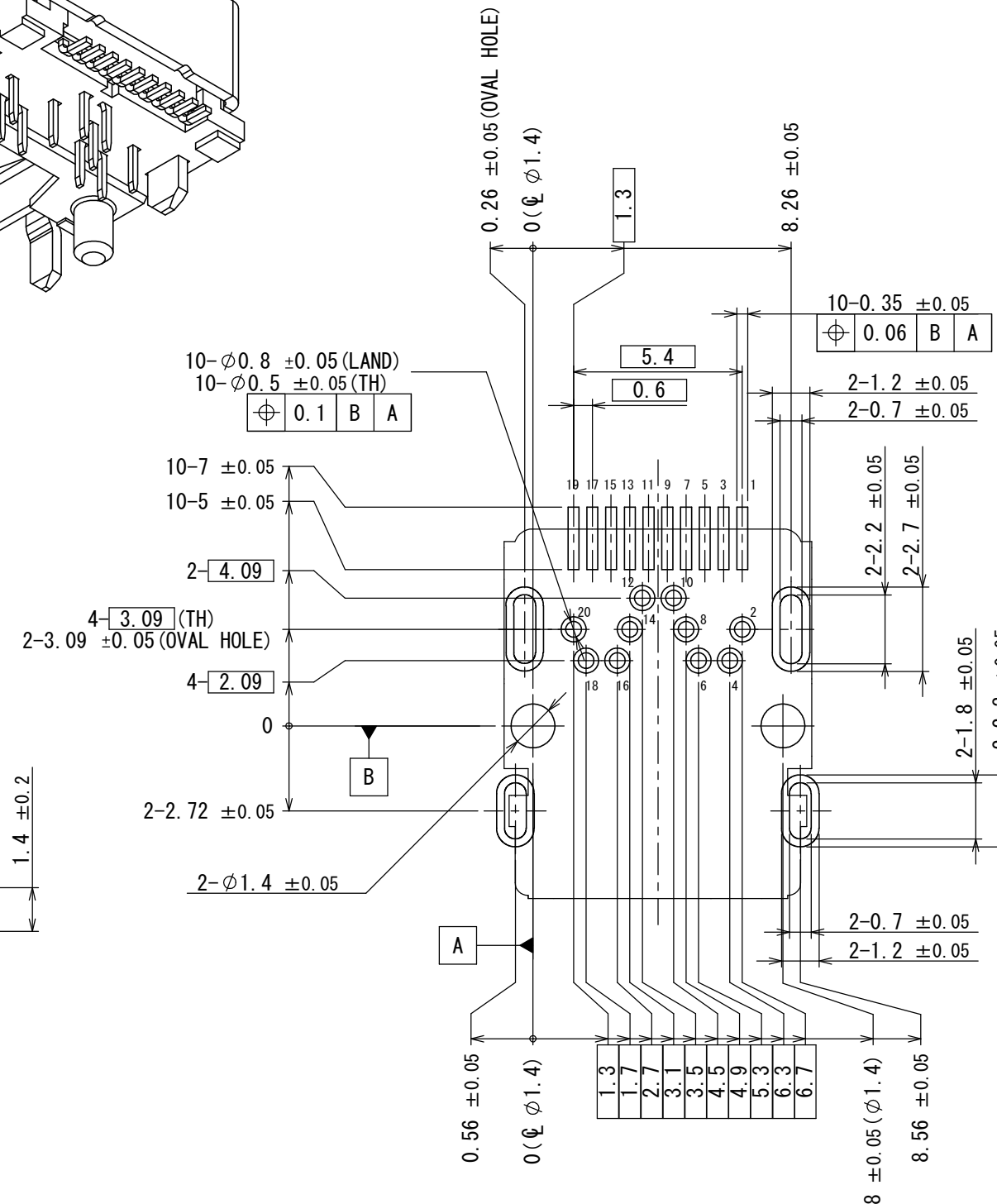
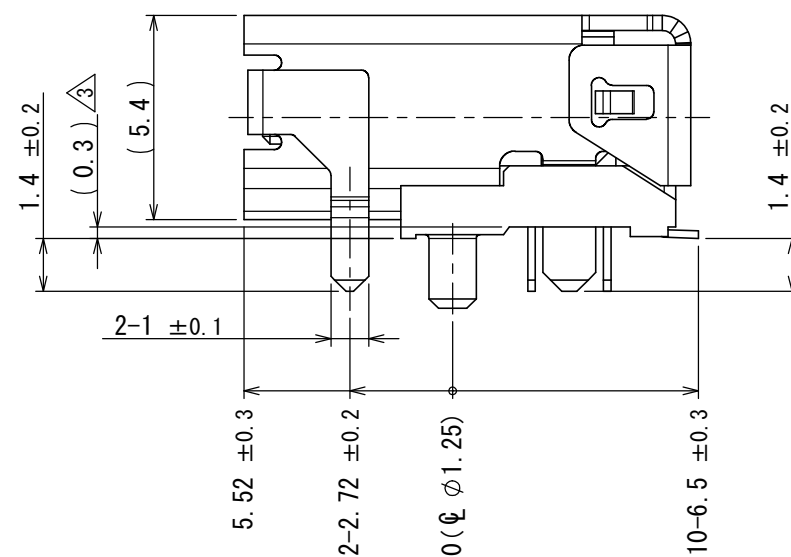
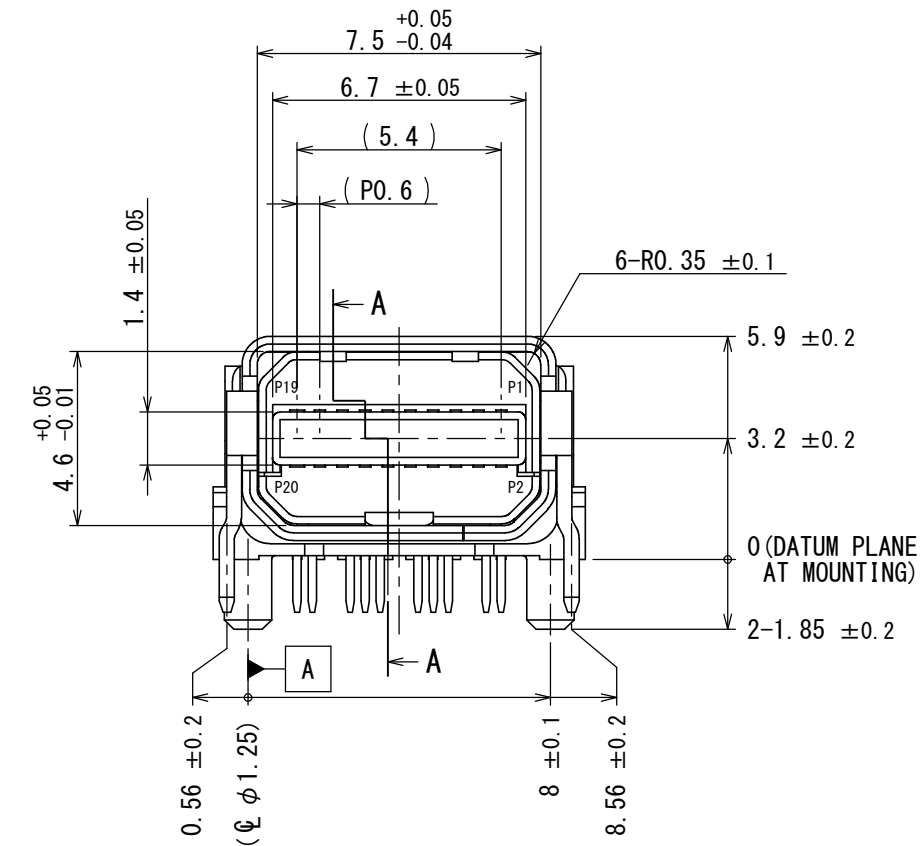
Address: A1208, Overseas Decoration Building, #122 Zhenhua RD., Futian, Shenzhen, China



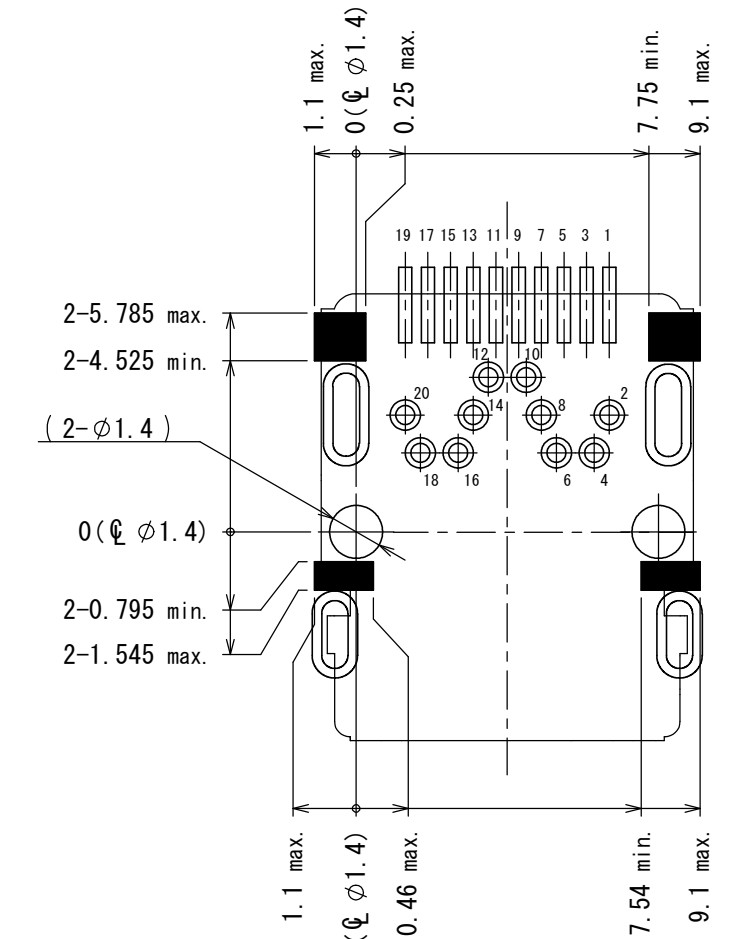
版数 VER.	年月日 DATE	CN NO.	変更内容 DESCRIPTION	製図 DR.	担当 CHK.	査閲 APPD.	承認 APPD.
2	22/FEB/2012	001889	REVISED FORM	—	M. KATAYANAGI	—	S. AIHARA
3	12/APR/2012	002403	REVISED NOTE, ADDED DIMENSION	—	M. KATAYANAGI	—	S. AIHARA
4	03/AUG/2012	003582	CORRECT AN ERROR	—	M. KATAYANAGI	—	S. AIHARA
5	14/FEB/2013	005373	REVISED DIMENSION	—	M. KATAYANAGI	—	S. AIHARA



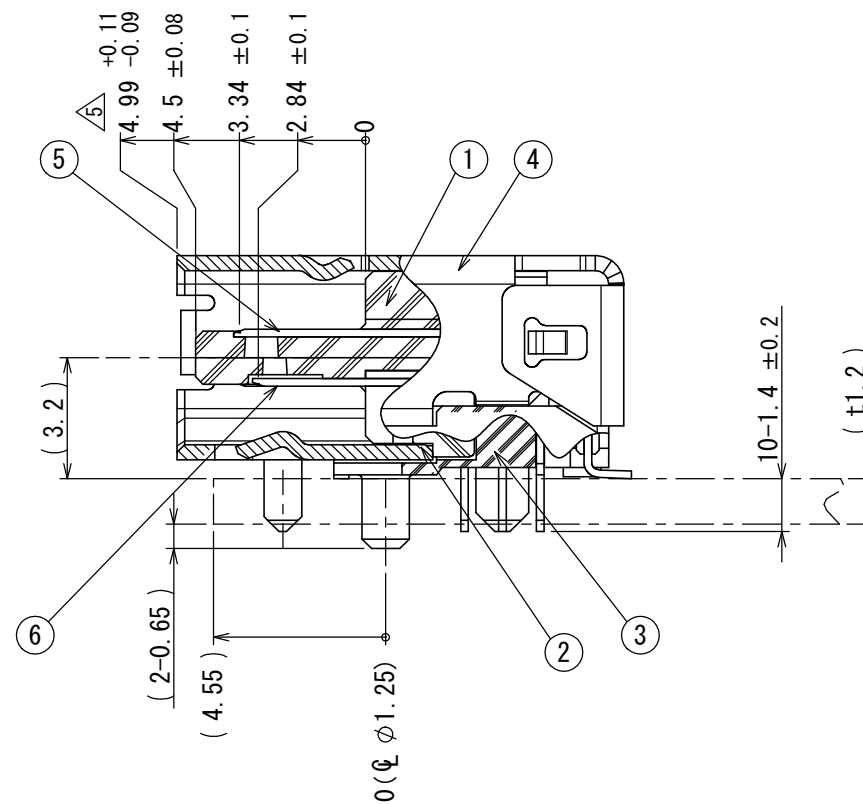
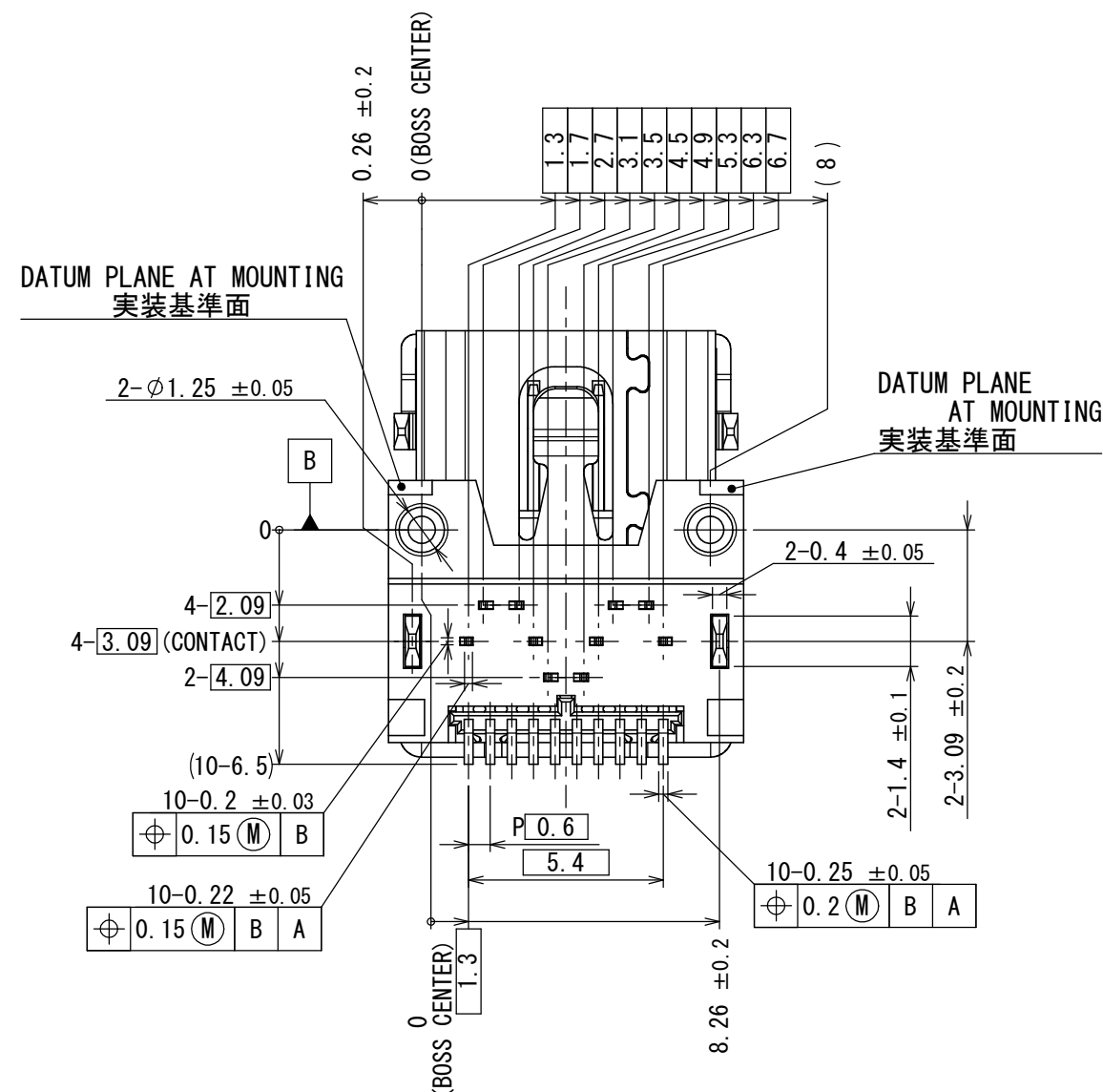
PERSPECTIVE VIEW (SCALE 5:1)



APPLICABLE P.C.B DIMENSION (REF.)
適合基板寸法 (参考)



DIMENSION OF CONNECTOR INSULATOR ON SURFACE OF P.C.B
(PATTERN PROHIBITION AREA)
パターン配置禁止エリア



SECTION A-A (SCALE 5:1)

符号 NO.	名称 DESCRIPTION	個数 QTY.	材料 MATERIAL	仕上 FINISH	備考 REMARKS
6	LOWER CONTACT	10	COPPER ALLOY		CONTACT AREA: GOLD OVER NICKEL TERMINAL AREA: MATTE TIN PLATING OVER NICKEL
5	UPPER CONTACT	10	COPPER ALLOY		CONTACT AREA: GOLD OVER NICKEL TERMINAL AREA: MATTE TIN PLATING OVER NICKEL
4	SHELL	1	STAINLESS STEEL		NICKEL PLATING
3	LOCATOR	1	LCP		COLOR: BLACK HALOGEN-FREE
2	LOWER INSULATOR	1	LCP		COLOR: BLACK HALOGEN-FREE
1	UPPER INSULATOR	1	LCP		COLOR: BLACK HALOGEN-FREE

仕様書 (SPECIFICATION)		第1版 (ORIGINAL DATE)		シリーズ (SERIES)	
JACS-30248		28/OCT/2011		DP3	
一般公差 (GENERAL TOLERANCE)		製図 DR.		名称 (TITLE)	
寸法 (DIMENSION): ± 0.8 × ± 0.4 ×× ± 0.1 ××× ±		担当 CHK. M. KATAYANAGI		DP3R020SU32JQ	
角度 (ANGLES): ×° ± ××' ±		査閲 APPD. —		質量 (MASS)	
単位 (UNIT): mm		承認 APPD. S. AIHARA		図面番号 (DRAWING NO.) SJ112287	

