



Chipsmall Limited consists of a professional team with an average of over 10 year of expertise in the distribution of electronic components. Based in Hongkong, we have already established firm and mutual-benefit business relationships with customers from,Europe,America and south Asia,supplying obsolete and hard-to-find components to meet their specific needs.

With the principle of “Quality Parts,Customers Priority,Honest Operation,and Considerate Service”,our business mainly focus on the distribution of electronic components. Line cards we deal with include Microchip,ALPS,ROHM,Xilinx,Pulse,ON,Everlight and Freescale. Main products comprise IC,Modules,Potentiometer,IC Socket,Relay,Connector.Our parts cover such applications as commercial,industrial, and automotives areas.

We are looking forward to setting up business relationship with you and hope to provide you with the best service and solution. Let us make a better world for our industry!



Contact us

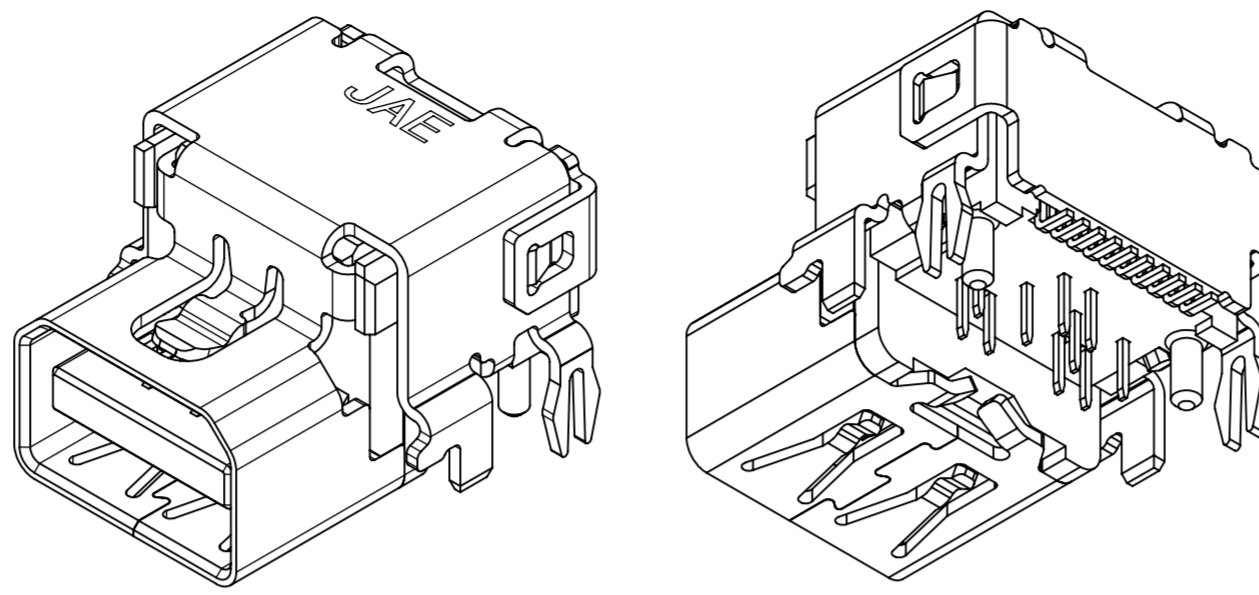
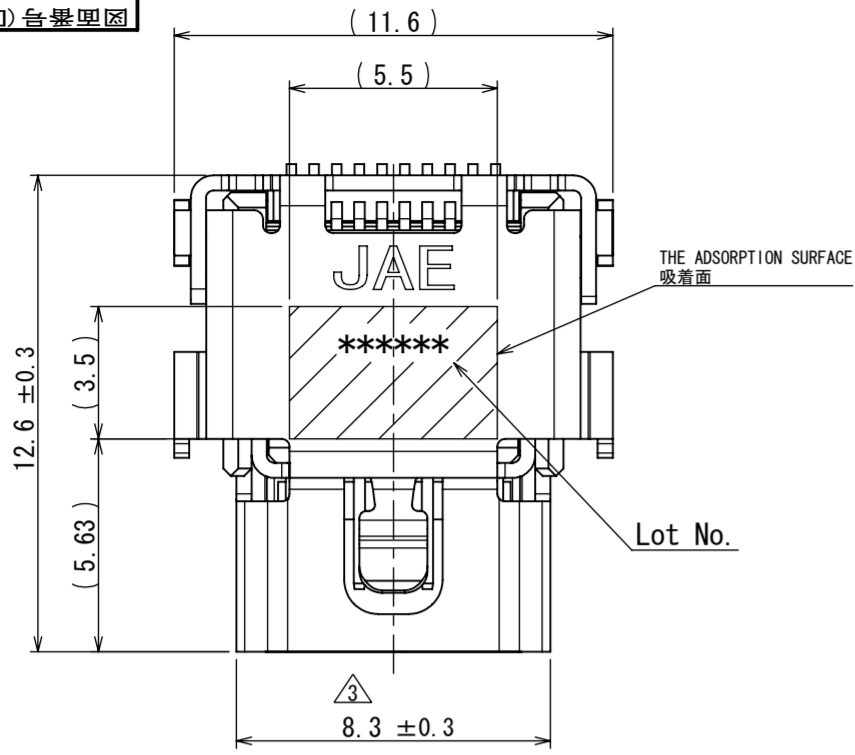
Tel: +86-755-8981 8866 Fax: +86-755-8427 6832

Email & Skype: info@chipsmall.com Web: www.chipsmall.com

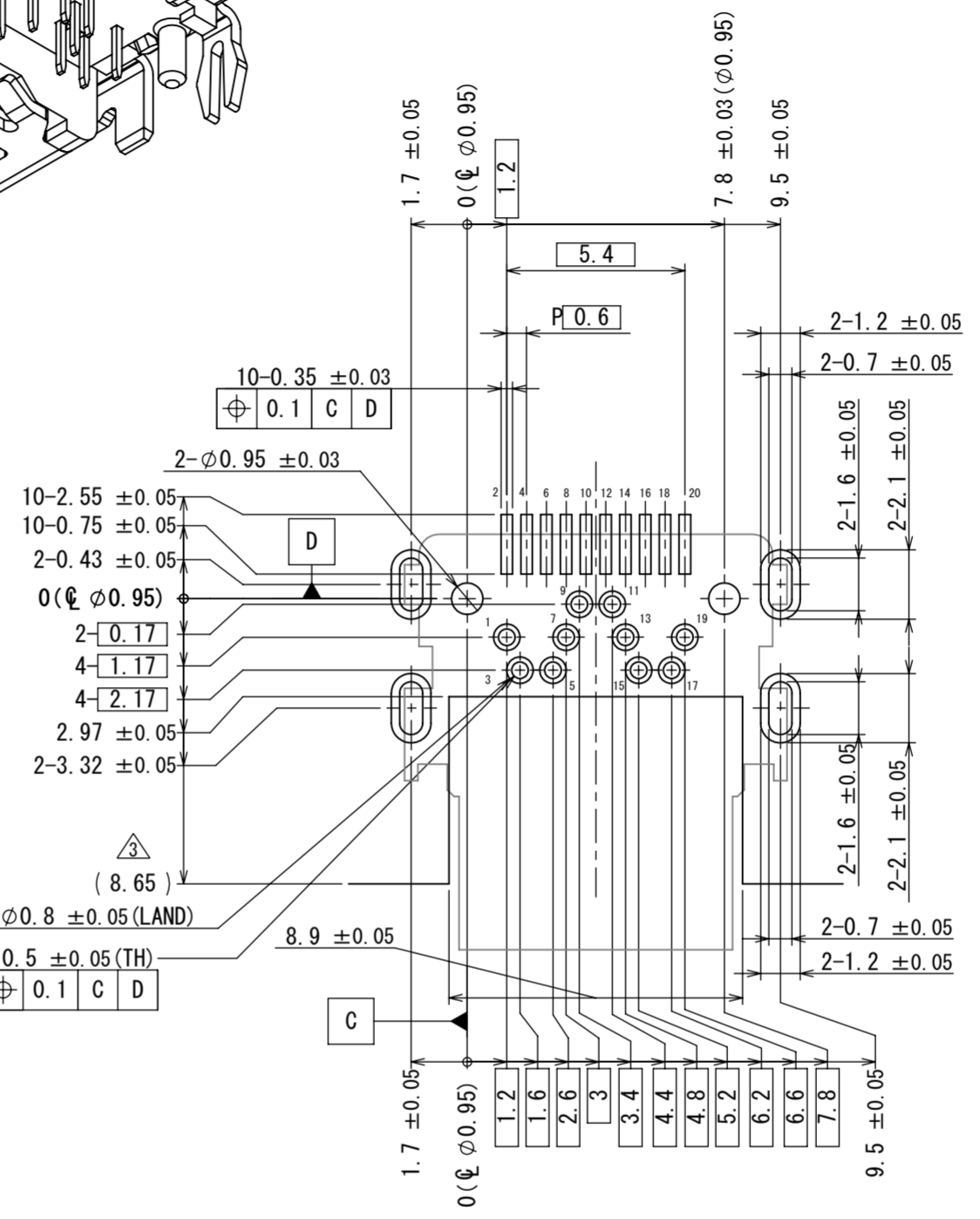
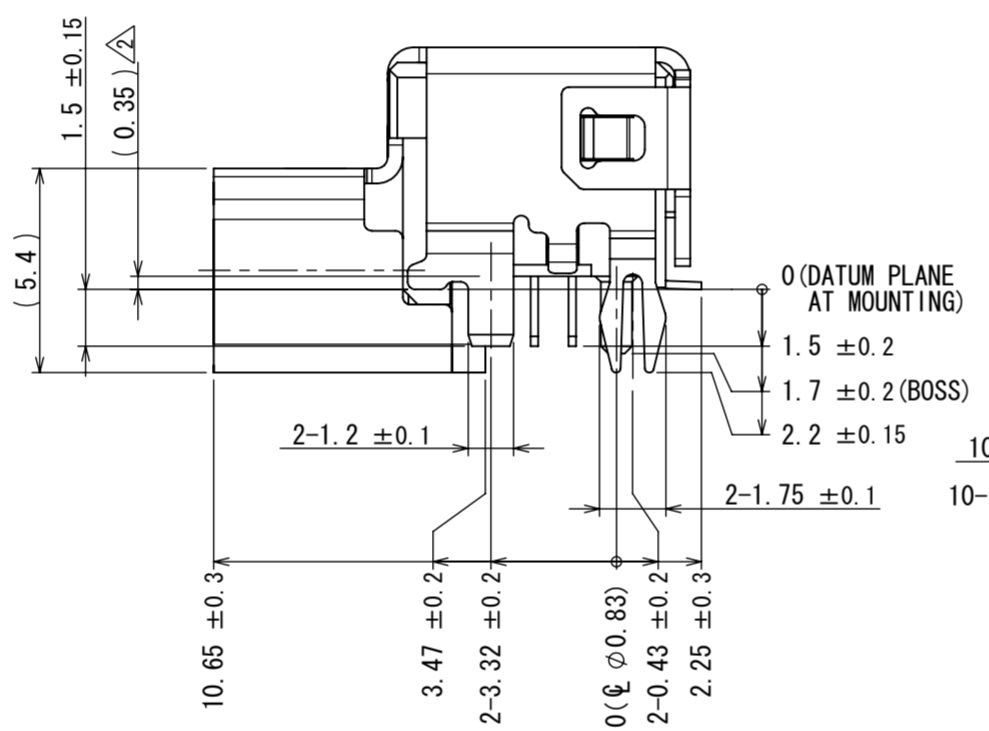
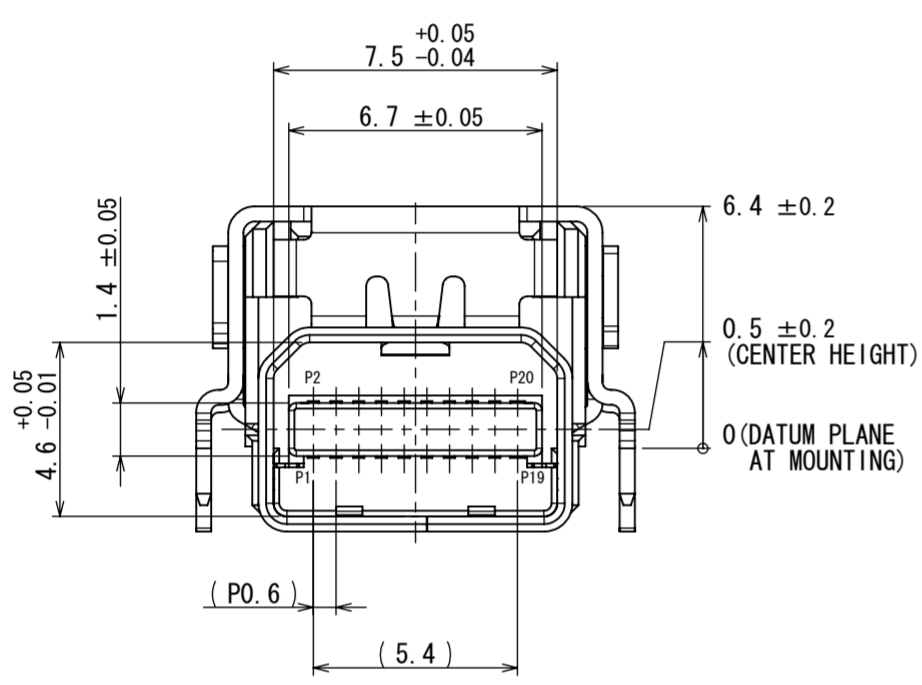
Address: A1208, Overseas Decoration Building, #122 Zhenhua RD., Futian, Shenzhen, China



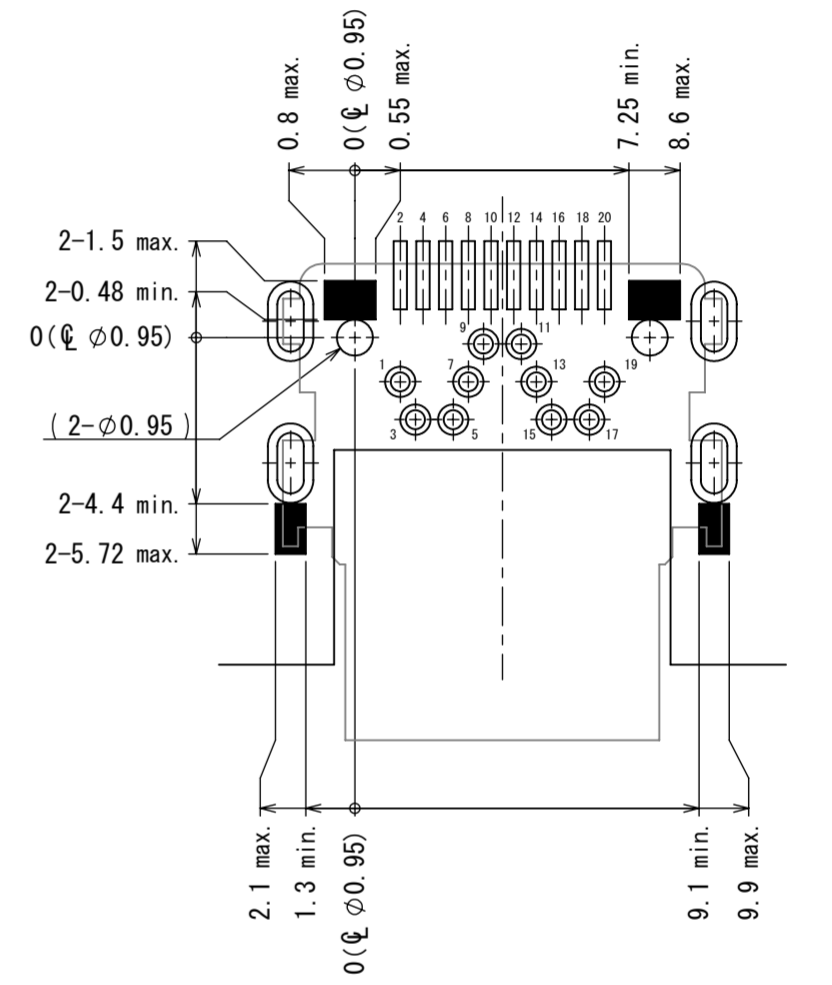
版数 REV.	年月日 DATE	CN NO.	変更内容 DESCRIPTION	製図 DR.	担当 CHK.	査閲 APPD.	承認 APPD.
2	12/APR/2012	002403	REVISED NOTE, ADDED DIMENSION	—	M. KATAYANAGI	—	S. AIHARA
3	08/JUN/2012	002999	ADDED DIMENSION	—	M. KATAYANAGI	—	S. AIHARA
4	03/AUG/2012	003582	CORRECT AN ERROR	—	M. KATAYANAGI	—	S. AIHARA



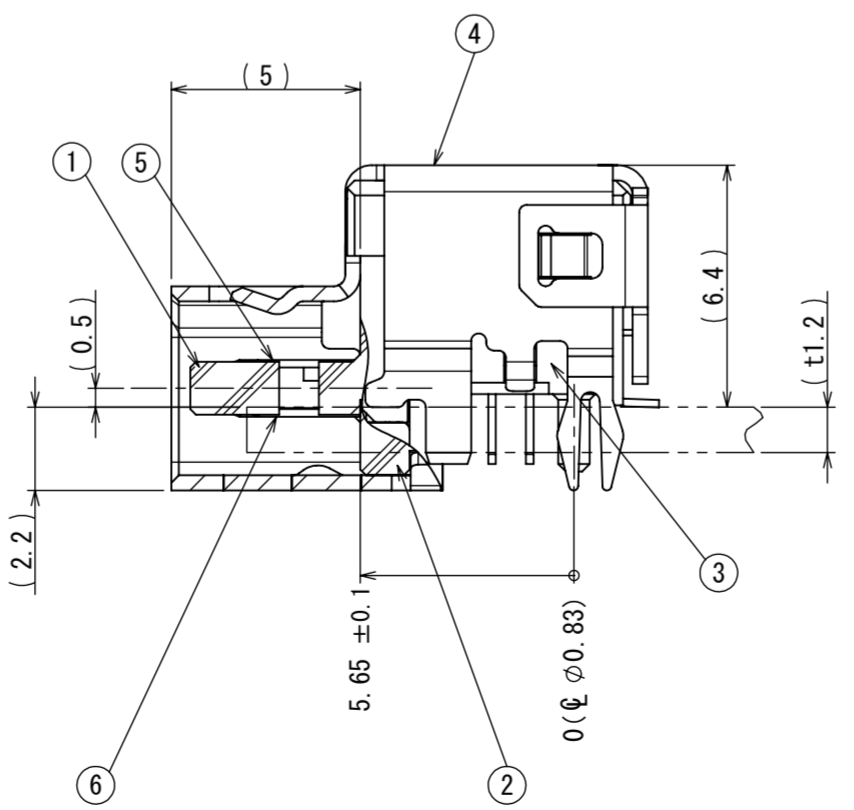
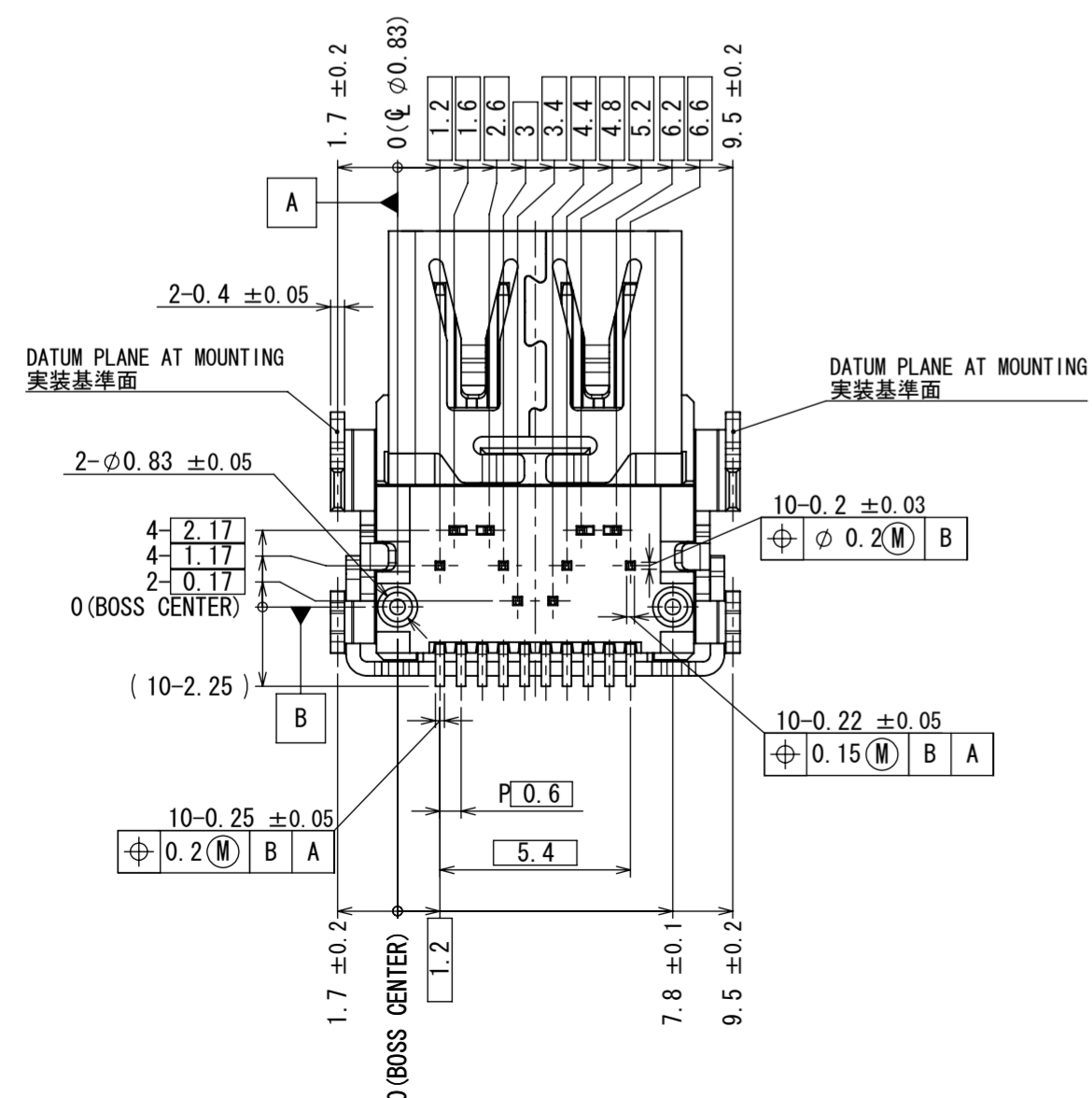
PERSPECTIVE VIEW
(SCALE 5:1)



APPLICABLE P.C.B DIMENSION (REF.)
適合基板寸法 (参考)



DIMENSION OF CONNECTOR INSULATOR ON SURFACE OF P.C.B
(PATTERN PROHIBITION AREA)
パターン配置禁止エリア



符号 NO.	名称 DESCRIPTION	数量 QTY.	材料 MATERIAL	仕上 FINISH	備考 REMARKS
6	LOWER CONTACT	10	COPPER ALLOY	—	CONTACT AREA: GOLD OVER NICKEL TERMINAL AREA: MATTE TIN PLATING OVER NICKEL
5	UPPER CONTACT	10	COPPER ALLOY	—	CONTACT AREA: GOLD OVER NICKEL TERMINAL AREA: MATTE TIN PLATING OVER NICKEL
4	SHELL	1	STAINLESS STEEL	—	BLACK NICKEL PLATING
3	LOCATOR	1	LCP	—	COLOR: BLACK HALOGEN-FREE
2	LOWER INSULATOR	1	LCP	—	COLOR: BLACK HALOGEN-FREE
1	UPPER INSULATOR	1	LCP	—	COLOR: BLACK HALOGEN-FREE

仕様書 (SPECIFICATION) JACS-30248	第1版 (ORIGINAL DATE) 24/NOV/2011	尺度 (SCALE) 5:1	シリーズ (SERIES) DP3
製図 DR. M. KATAYANAGI	担当 CHK. M. KATAYANAGI	名称 (TITLE) DP3RB20RU05JQ	日本航空電子工業株式会社 JAPAN AVIATION ELECTRONICS INDUSTRY, LTD.
査閲 APPD. S. AIHARA	承認 APPD. S. AIHARA	図面番号 (DRAWING NO.) SJ112304	版数 (REV.) 4