



Chipsmall Limited consists of a professional team with an average of over 10 year of expertise in the distribution of electronic components. Based in Hongkong, we have already established firm and mutual-benefit business relationships with customers from,Europe,America and south Asia,supplying obsolete and hard-to-find components to meet their specific needs.

With the principle of “Quality Parts,Customers Priority,Honest Operation,and Considerate Service”,our business mainly focus on the distribution of electronic components. Line cards we deal with include Microchip,ALPS,ROHM,Xilinx,Pulse,ON,Everlight and Freescale. Main products comprise IC,Modules,Potentiometer,IC Socket,Relay,Connector.Our parts cover such applications as commercial,industrial, and automotives areas.

We are looking forward to setting up business relationship with you and hope to provide you with the best service and solution. Let us make a better world for our industry!



## Contact us

Tel: +86-755-8981 8866 Fax: +86-755-8427 6832

Email & Skype: info@chipsmall.com Web: www.chipsmall.com

Address: A1208, Overseas Decoration Building, #122 Zhenhua RD., Futian, Shenzhen, China





All information contained herein applies only to the above listed part number. Other versions of this part number with electrical or mechanical variations are available. Contact CUI Inc. for further assistance. 9615 SW Allen Blvd., Ste. 103, Beaverton OR 97005  
 800-275-4899 • 503-643-4899 • Fax: 503-643-6129 • www.cui.com

1. CONSTRUCTION:

- 1.1 Surface: Damage, rust, foam not permitted.
- 1.2 Lead pull test: \_\_\_\_\_ Kg for \_\_\_\_\_ Seconds.
- 1.3 Impregnation: Varnish.
- 1.4 Lead wire description:

Terminal No.	1	2	3	4	5	6	7	8	9	10
Color										
Length (mm)										
Strip/Tin (mm)	/	/	/	/	/	/	/	/	/	/
Class										

2. ELECTRICAL CHARACTERISTICS:

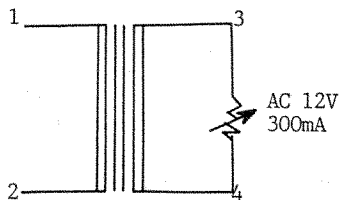
- 2.1 Exciting Current: Input primary 120 V 60 Hz 50 MA MAX.
- 2.2 Primary rated voltage & frequency: 120 v 50 Hz.
- 2.3 Secondary output voltage:

Leads No.or Color	Rated Voltage	Rated Current	Voltage Regulation	No Load Voltage
3-----4	AC 12V±5%	AC 300mA		AC 15.1V±5%

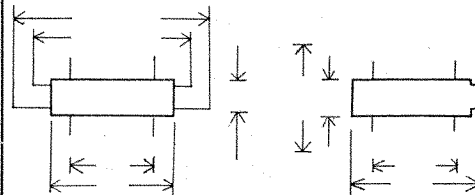
- 2.4 HI-POT test: Input 60HZ 1500 V for one minute between Primary and Secondary and between Primary to Core. 1000 V for one minute between Secondary and Secondary and between Secondary to Core.
- 2.5 Induced Voltage: At Secondary open. input Primary 400HZ 240 V for 15 seconds.
- 2.6 Insulation test: 500Vdc 100 M Ohm Min. between Windinhs and Windings and Core.
- 2.7 Humidity test: Temp. 32 ± 2 °C relative humidity 90%RH for 6 hours, after keeping 30 minutes following insulation must be larger than 5 Megohm.
- 2.8 Temperature rise test: Less than 70 °C for rated test with Resistance method.

3. Adequate Standard:

4. Circuit Diagram:



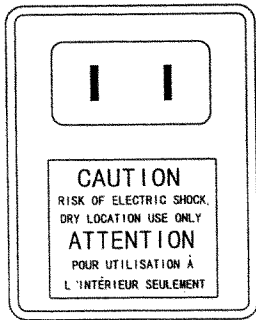
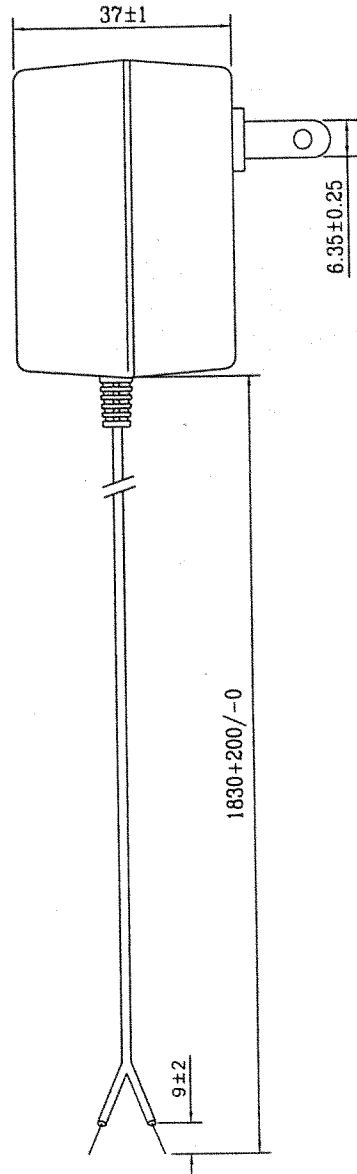
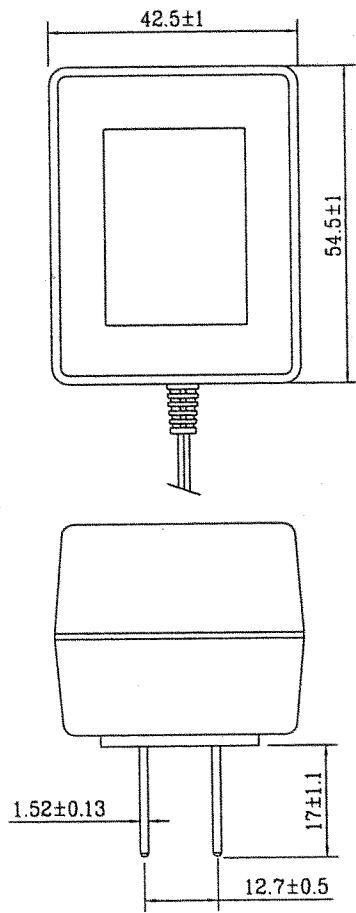
5. Dimension (mm) :





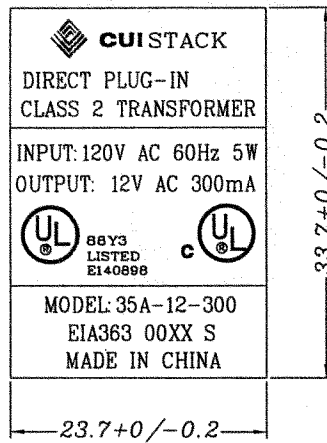


All information contained herein applies only to the above listed part number. Other versions of this part number with electrical or mechanical variations are available. Contact CUI Inc. for further assistance. 9615 SW Allen Blvd., Ste. 103, Beaverton OR 97005  
800-275-4899 • 503-643-4899 • Fax: 503-643-6129 • www.cui.com





All information contained herein applies only to the above listed part number. Other versions of this part number with electrical or mechanical variations are available. Contact CUI Inc. for further assistance. 9615 SW Allen Blvd., Ste. 103, Beaverton OR 97005  
800-275-4899 • 503-643-4899 • Fax: 503-643-6129 • www.cui.com



REMARKS: 00XX S

00 provides production year  
xx provides production week  
s Fu Yong

Adhesion strength of specification label (Tape peeling test)  
Firmly apply pressure sensitive adhesive tape on the middle  
of the specification label to the lengthwise direction  
Pull the tape off quickly at a 90° angle to the surface of  
the label once.

[Specification] There shall be no blistering or peeling  
of the specification label.

[Used adhesive tape] 3m #44 Tape 18 width

Thickness: 0.2mm

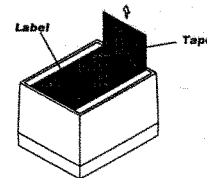
Material:  PVC

ALUMINIUM

BLACK WORD ON SILVER BASE

SILVER WORD ON BLACK BASE

WHITE WORD ON BLACK BASE



SPEC NO: SZ-12300



CUI INC

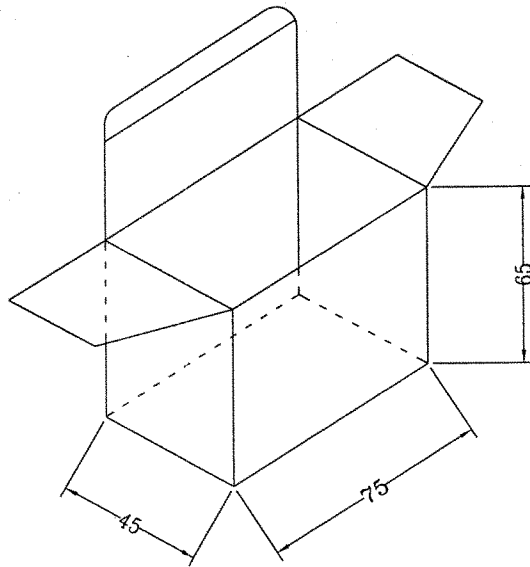
PAGE NO: 5 of 5

PART NO: DPA120030-S/T-SZ

UNIT: mm

DATE: 03/19/00

All information contained herein applies only to the above listed part number. Other versions of this part number with electrical or mechanical variations are available. Contact CUI Inc. for further assistance. 9615 SW Allen Blvd., Ste. 103, Beaverton OR 97005  
800-275-4899 • 503-643-4899 • Fax: 503-643-6129 • [www.cui.com](http://www.cui.com)



UNIT: mm