



Chipsmall Limited consists of a professional team with an average of over 10 year of expertise in the distribution of electronic components. Based in Hongkong, we have already established firm and mutual-benefit business relationships with customers from,Europe,America and south Asia,supplying obsolete and hard-to-find components to meet their specific needs.

With the principle of “Quality Parts,Customers Priority,Honest Operation,and Considerate Service”,our business mainly focus on the distribution of electronic components. Line cards we deal with include Microchip,ALPS,ROHM,Xilinx,Pulse,ON,Everlight and Freescale. Main products comprise IC,Modules,Potentiometer,IC Socket,Relay,Connector.Our parts cover such applications as commercial,industrial, and automotives areas.

We are looking forward to setting up business relationship with you and hope to provide you with the best service and solution. Let us make a better world for our industry!



Contact us

Tel: +86-755-8981 8866 Fax: +86-755-8427 6832

Email & Skype: info@chipsmall.com Web: www.chipsmall.com

Address: A1208, Overseas Decoration Building, #122 Zhenhua RD., Futian, Shenzhen, China





All information contained herein applies only to the above listed part number. Other versions of this part number with electrical or mechanical variations are available. Contact CUI Inc. for further assistance. 9615 SW Allen Blvd., Ste. 103, Beaverton OR 97005
 800-275-4899 • 503-643-4899 • Fax: 503-643-6129 • www.cui.com

1. MECHANICAL SPECIFICATION:

- 1.1 Apperance:Damage, Rust, Foam not permitted.
- 1.2 Pull Test for output cord: The output cord shall withstand a direct pull of 10 Kg applied for one minute without loosening, snapping and other damages.
- 1.3 Drop Test: The unit shall comply with article 2.4 without exposing live parts by crack or open of enclosure even if the unit shall dropped at 3 times from height of 91.5cm onto a flat oak+plywood board which is 60mm thick.

2. ELECTRICAL CHARACTERISTICS:

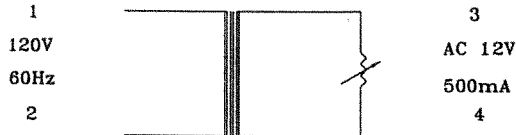
- 2.1 Primary rated voltage & frequency & power rating: AC 120 V 60 Hz 9 W.
- 2.2 Exciting Current:Input primary AC 120 V 60 Hz 60 mA MAX.
- 2.3 Secondary output voltage:

Input Voltage	Output Voltage	Rated Current	No Load Voltage	Ripple Voltage
120	AC 12V±5%	AC 500 mA	AC 14V±5%	

- 2.4 Hi-Pot Test: Input 60Hz 1500 V for one minute between primary blades and output plug.between primary to Core.1000 V for one minute between secondary to core. (Leakage curren:1 mA.)
- 2.5 Insulation Test: Insulation resistance between input and output plug and case, shall not be less than 100M ohms measured by 500 VDC insulation resistance tester.
- 2.6 Humidity Test: Temp 40±2°C relative humidity 90% R.H. for 96 hours, after keeping 30 minutes following insulation must be large than 5M ohms.
- 2.7 Temperature Rise Test:less than 70°C for rated test with Resistance method.

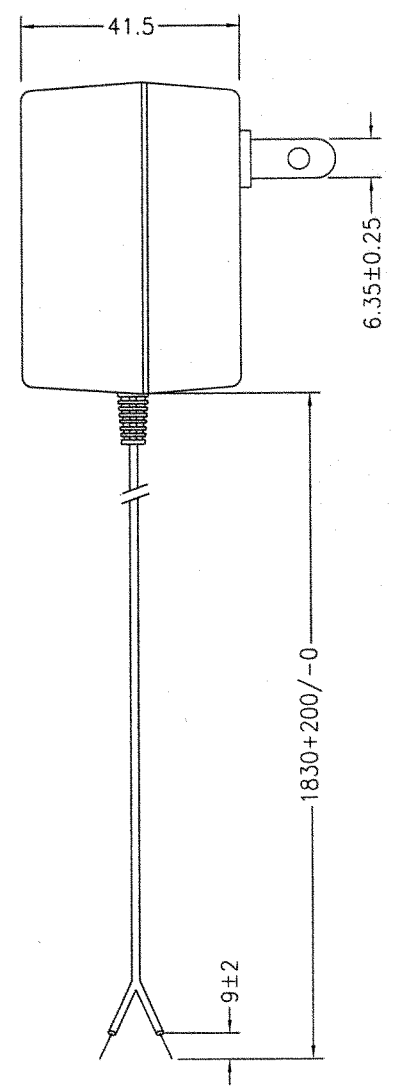
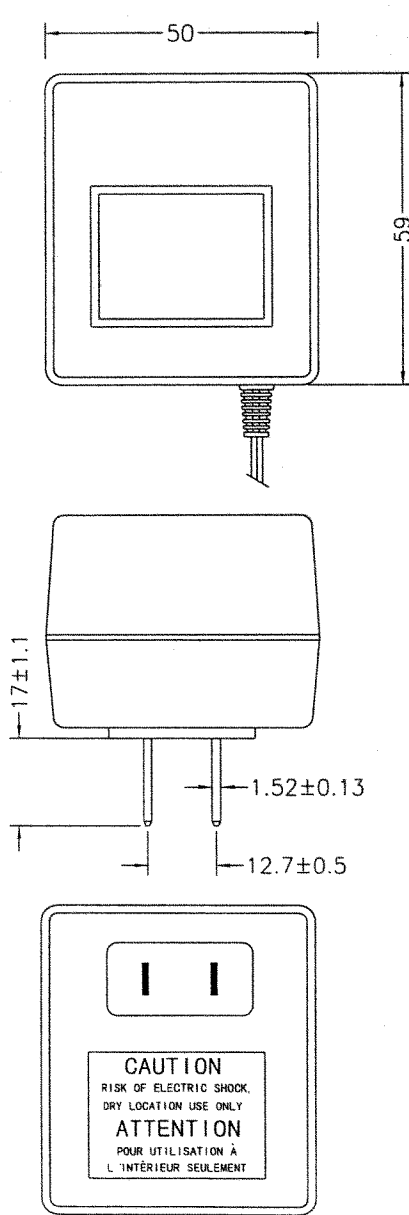
3. Safety Standard: UL/CUL

4. Circuit Diagram:



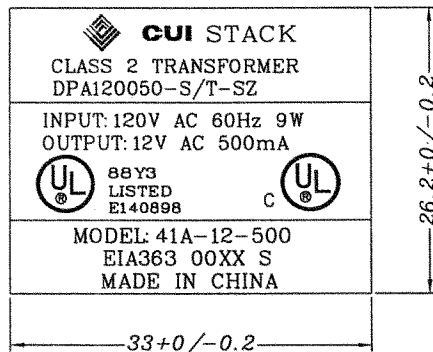


All information contained herein applies only to the above listed part number. Other versions of this part number with electrical or mechanical variations are available. Contact CUI Inc. for further assistance. 9615 SW Allen Blvd., Ste. 103, Beaverton OR 97005
800-275-4899 • 503-643-4899 • Fax: 503-643-6129 • www.cui.com





All information contained herein applies only to the above listed part number. Other versions of this part number with electrical or mechanical variations are available. Contact CUI Inc. for further assistance. 9615 SW Allen Blvd., Ste. 103, Beaverton OR 97005
800-275-4899 • 503-643-4899 • Fax: 503-643-6129 • www.cui.com



REMARKS: 00XX S

00 provides production year
 xx provides production week
 s Fu Yong

Adhesion strength of specification label (Tape peeling test)
 Firmly apply pressure sensitive adhesive tape on the middle
 of the specification label to the lengthwise direction
 Pull the tape off quickly at a 90° angle to the surface of
 the label once.

[Specification] There shall be no blistering or peeling
 of the specification label.

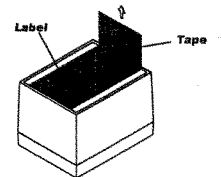
[Used adhesive tape] 3m #44 Tape 18 width

Thickness: 0.2mm

Material: PVC

ALUMINIUM

- BLACK WORD ON SILVER BASE
- SILVER WORD ON BLACK BASE
- WHITE WORD ON BLACK BASE



SPEC NO: SZ-12500



CUI INC

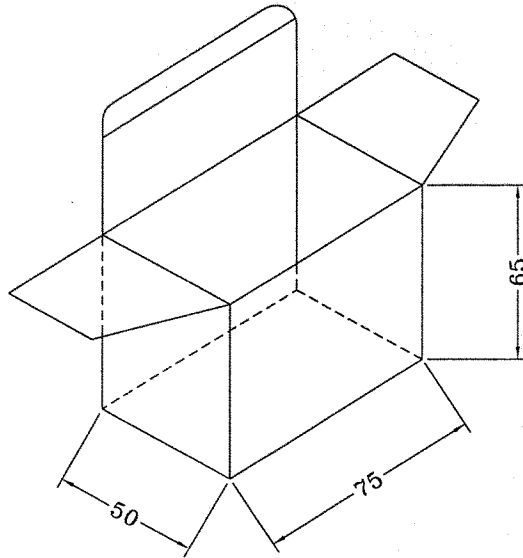
PAGE NO: 4 of 4

PART NO: DPA120050-S/T-SZ

UNIT: mm

DATE: 03/19/00

All information contained herein applies only to the above listed part number. Other versions of this part number with electrical or mechanical variations are available. Contact CUI Inc. for further assistance. 9615 SW Allen Blvd., Ste. 103, Beaverton OR 97005
800-275-4899 • 503-643-4899 • Fax: 503-643-6129 • www.cui.com



UNIT: mm