



Chipsmall Limited consists of a professional team with an average of over 10 year of expertise in the distribution of electronic components. Based in Hongkong, we have already established firm and mutual-benefit business relationships with customers from,Europe,America and south Asia,supplying obsolete and hard-to-find components to meet their specific needs.

With the principle of “Quality Parts,Customers Priority,Honest Operation,and Considerate Service”,our business mainly focus on the distribution of electronic components. Line cards we deal with include Microchip,ALPS,ROHM,Xilinx,Pulse,ON,Everlight and Freescale. Main products comprise IC,Modules,Potentiometer,IC Socket,Relay,Connector.Our parts cover such applications as commercial,industrial, and automotives areas.

We are looking forward to setting up business relationship with you and hope to provide you with the best service and solution. Let us make a better world for our industry!



Contact us

Tel: +86-755-8981 8866 Fax: +86-755-8427 6832

Email & Skype: info@chipsmall.com Web: www.chipsmall.com

Address: A1208, Overseas Decoration Building, #122 Zhenhua RD., Futian, Shenzhen, China

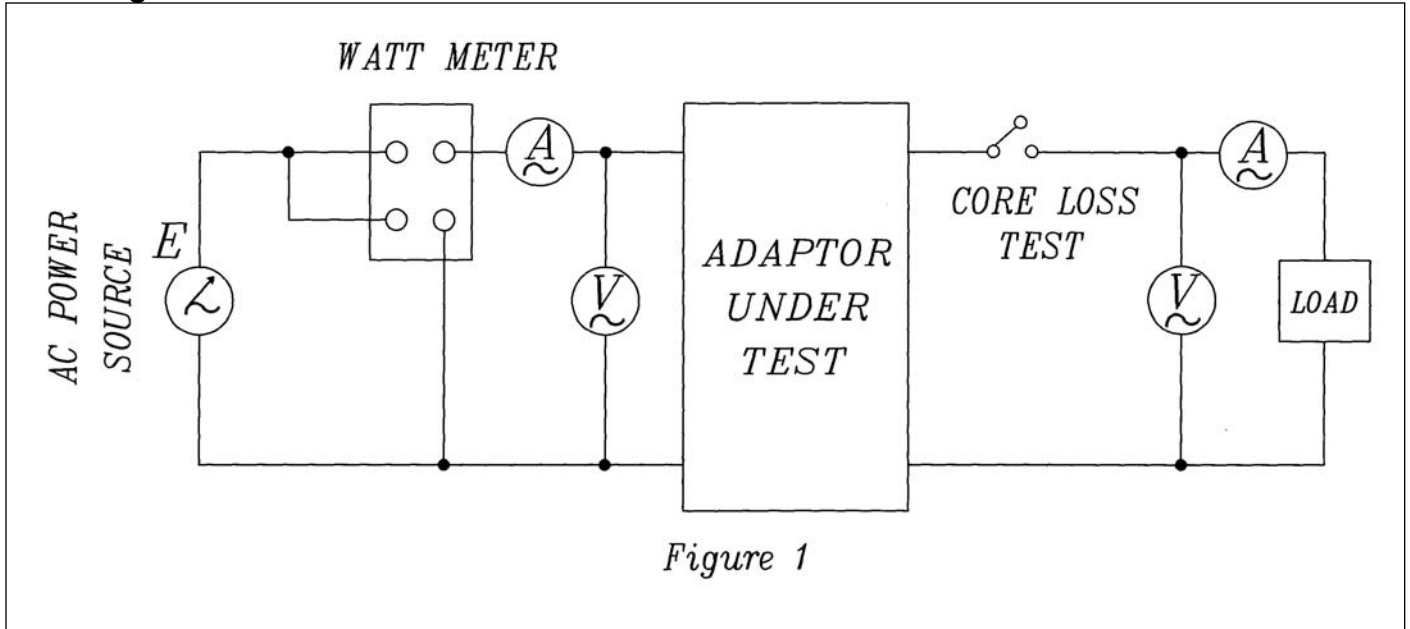


**Specifications**

Output voltage	12 V ac at 1000 mA	
Primary rated input	120 V ac 60 Hz 16 W	
Primary exciting current	70 mA rms max.	
Secondary rated voltage & current	no load voltage (max.)	14.4 V ref.
	full load volatge (1000 mA)	12 V ac $\pm 5\%$
Temperature rise of primary winding (full load)	70°C max. using resistance method	
Insulation resistance	≥ 100 M Ohm at 500 V dc	
HI-POT test	from input to output for 1 min.	1240 V ac at 2 mA
	from input to output for 1 sec.	1600 V ac at 2 mA
	from primary to seconardy winding for 1 sec.	1600 V ac at 2 mA
	from primary winding to core for 1 sec.	1600 V ac at 2 mA
	from secondary winding to core for 1 sec.	750 V ac at 2 mA
Safety standard	UL/ cUL	
RoHS compliant	yes	
Test conditions	Ambient temp	40°C $\pm 2^\circ\text{C}$
	Humidity	90-95% 96 hours at Full Load
	Rated voltage	8 hours at full load
Color	Case	black
	Cord	black
	Plug top	black



Test Diagram



Label

CUI INC
AC/AC ADAPTOR
CLASS 2 TRANSFORMER

INPUT: AC 120V 60Hz 16W
OUTPUT: AC 12V 1000mA
P/N: DPA120100-S/T-SZ

UL US LISTED
RoHS E140898 88Y3

MODEL: 41A-12-1000
EIA 363 YYWW X
MADE IN CHINA

Adhesive tape: 3m #44 tape 18 width
Thickness: 0.2mm
Material: PVC polyester
Color: black on silver base

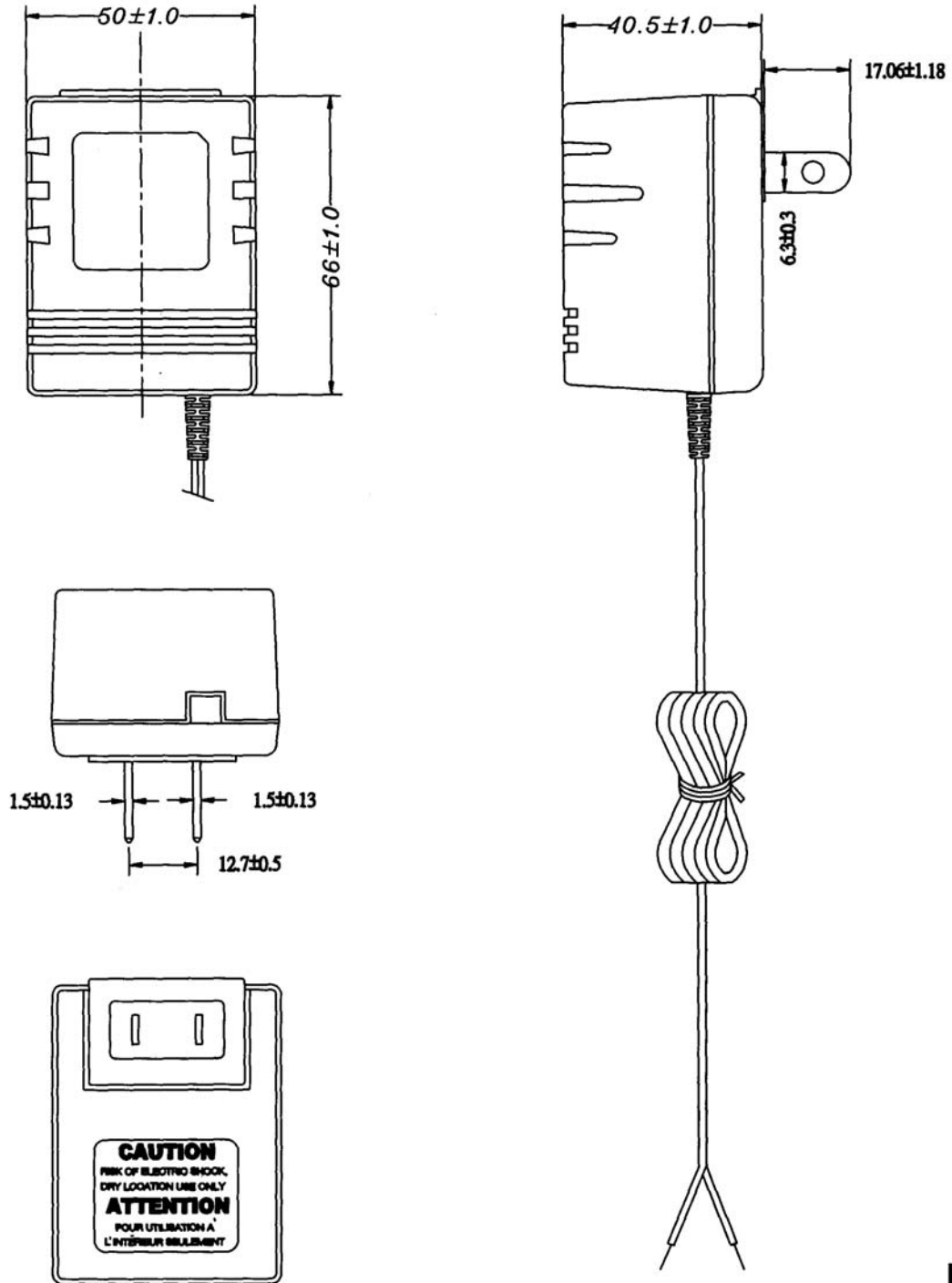
Remarks: YYWW S
YY=production year
WW=production week
S=production location



Mechanical Drawing

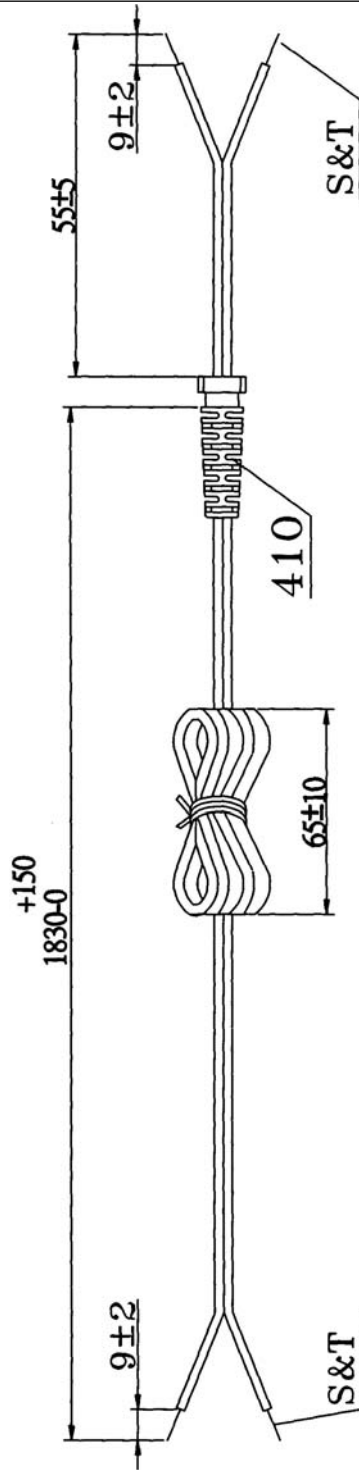
Tolerance: ± 1

Weight 335 g





Cord



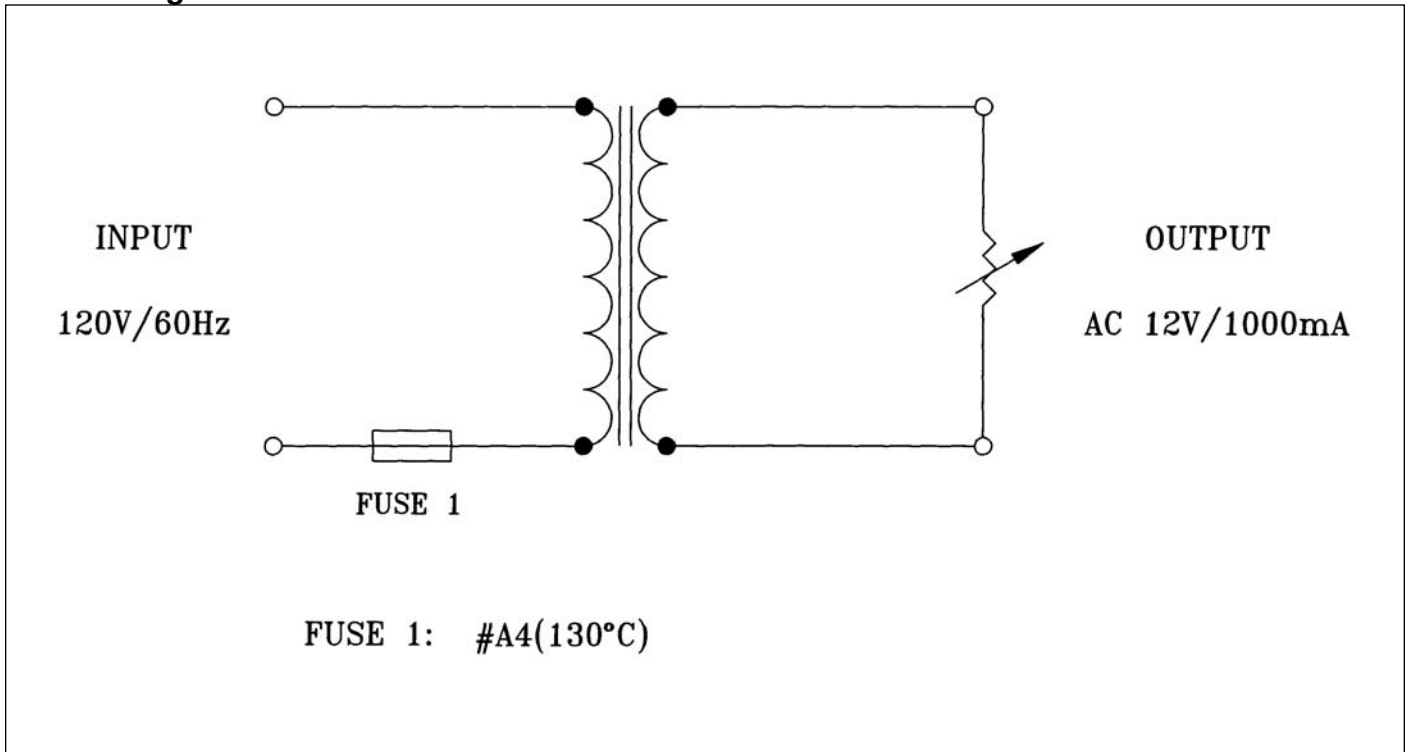
#22AWG X2C BLACK/WHITE WIRE

WIRE OD: Ø1.8X3.6

Parameter request	a. ±50° b. WEIGHT 200g c. 40 ROUND/MINUTE d. OVER 1000 COUNT MIN
VIBRATION TEST	



Circuit Diagrams





CUI INC

Part No: DPA120100-S/T-SZ

Date: 2/27/2006

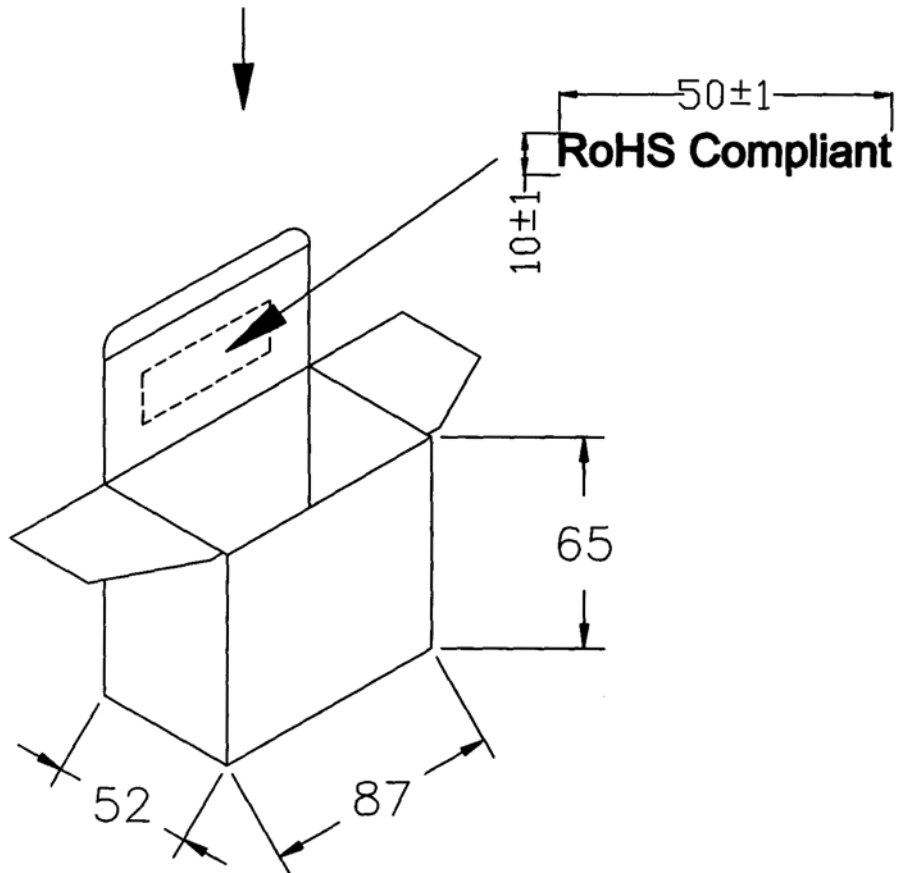
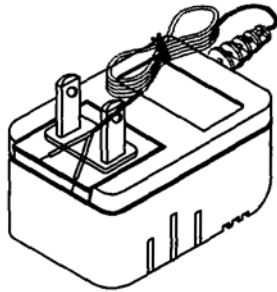
Unit: mm

Description: linear power supply

Page No: 6 of 7

Packaging

Tolerance: ± 1





Packaging

Tolerance: +7/-0

CARTON MATERIAL:A=B(6mm)

CARTON SIZE: 374X353X140mm

Q'TY: 40pcs(20x2x1)

