



Chipsmall Limited consists of a professional team with an average of over 10 year of expertise in the distribution of electronic components. Based in Hongkong, we have already established firm and mutual-benefit business relationships with customers from,Europe,America and south Asia,supplying obsolete and hard-to-find components to meet their specific needs.

With the principle of “Quality Parts,Customers Priority,Honest Operation,and Considerate Service”,our business mainly focus on the distribution of electronic components. Line cards we deal with include Microchip,ALPS,ROHM,Xilinx,Pulse,ON,Everlight and Freescale. Main products comprise IC,Modules,Potentiometer,IC Socket,Relay,Connector.Our parts cover such applications as commercial,industrial, and automotives areas.

We are looking forward to setting up business relationship with you and hope to provide you with the best service and solution. Let us make a better world for our industry!



Contact us

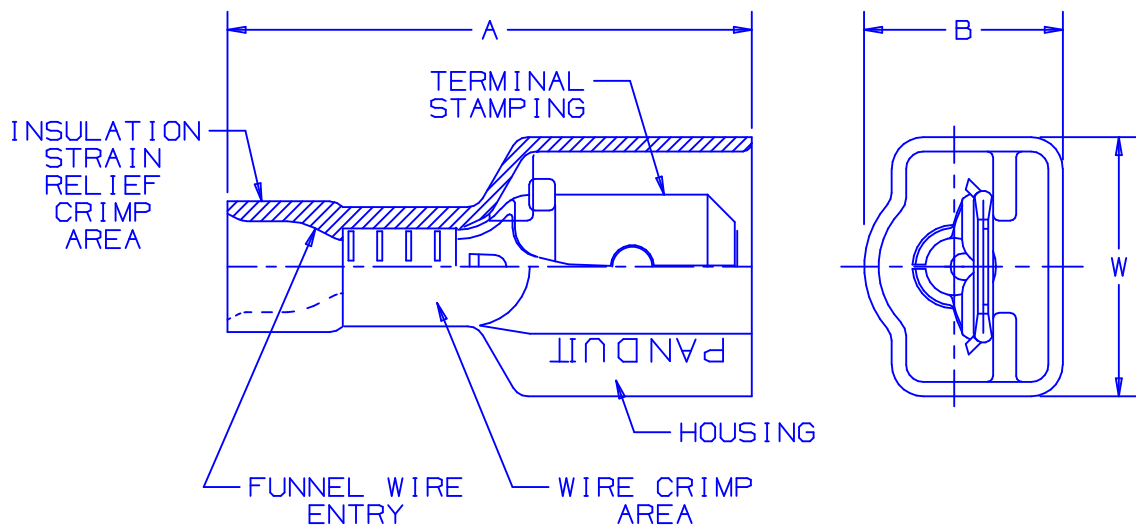
Tel: +86-755-8981 8866 Fax: +86-755-8427 6832

Email & Skype: info@chipsmall.com Web: www.chipsmall.com

Address: A1208, Overseas Decoration Building, #122 Zhenhua RD., Futian, Shenzhen, China

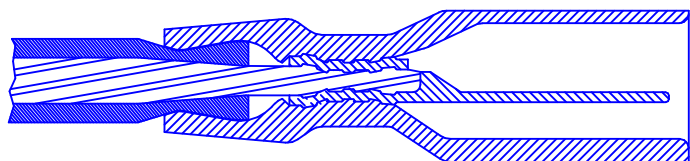


THIS COPY IS PROVIDED ON A RESTRICTED BASIS AND IS NOT TO BE USED IN ANY WAY DETRIMENTAL TO THE INTERESTS OF PANDUIT CORP.



NOTES:

1. USED FOR:
 - A. 600V MAX VOLTAGE RATING
 - B. 221°F (105°C) MAX TEMP RATING
 - C. STRANDED COPPER WIRE ONLY
2. WIRE STRIP LENGTH: $9/32^{+1/32}_{-0}$ (7.1^{+0.8}₋₀)
3. MATERIAL:
 - A. STAMPING: NICKEL PLATED BRASS
 - B. HOUSING: PREMIUM GRADE NYLON FOR SUPERIOR STRAIN RELIEF INSULATION CRIMPING
4. PACKAGING:
 - A. STD: -L = 50
 - B. BULK: -D = 500
5. DIMENSIONS IN BRACKETS ARE IN MILLIMETERS OR mm²



SECTION VIEW OF CRIMPED DISCONNECT

PART NUMBER		TAB SIZE	WIRE RANGE AWG (mm ²)	COLOR	MAX WIRE INSULATION DIAMETER	MIN WIRE INSULATION DIAMETER	DIMENSIONS in			CRIMP TOOLS
PREFIX	PK						A ^{±.03} (.8)	B ^{±.02} (.5)	W ^{±.02} (.5)	
DPF18-250F1MB	-L -D	.250 X .032 (6,3 X 0,8)	22-18 (0,5-1,0)	RED	.133 (3,38)	.080 (2,03)	.92 (23,4)	.34 (8,6)	.46 (11,7)	CT-520 CT-1525
DPF14-250F1MB	-L -D	.250 X .032 (6,3 X 0,8)	16-14 (1,5-2,5)	BLUE	.156 (3,96)	.090 (2,29)	.92 (23,4)	.34 (8,6)	.46 (11,7)	



A41512_05

05	7/03	KLFU		UPDATED DRAWING; WIRE RANGE WAS 0,5-1,5 ADDED CT-1525 TO TOOL CHART							PANDUIT CORP. TINLEY PARK, ILLINOIS DISCOGRIP™ LOOSE PIECE PREMIUM NYLON FULLY INSULATED UNIVERSAL MALE DISCONNECT .250 X .032
04	1/01	RM	SKB	FILESPEC WAS N41512AA_PCD_03	8933		CCH		JAC		
03	10/98	JD		MATERIAL WAS TIN PLATED	07642						
02	10/96	TM	RS	UPDATED NOTES AND DIMENSIONS	05137		DH		LA		
REV	DATE	BY	CHK	DESCRIPTION	ECN	QA	PM	SUP	CUST	APP	