



Chipsmall Limited consists of a professional team with an average of over 10 year of expertise in the distribution of electronic components. Based in Hongkong, we have already established firm and mutual-benefit business relationships with customers from,Europe,America and south Asia,supplying obsolete and hard-to-find components to meet their specific needs.

With the principle of "Quality Parts,Customers Priority,Honest Operation,and Considerate Service",our business mainly focus on the distribution of electronic components. Line cards we deal with include Microchip,ALPS,ROHM,Xilinx,Pulse,ON,Everlight and Freescale. Main products comprise IC,Modules,Potentiometer,IC Socket,Relay,Connector.Our parts cover such applications as commercial,industrial, and automotives areas.

We are looking forward to setting up business relationship with you and hope to provide you with the best service and solution. Let us make a better world for our industry!



Contact us

Tel: +86-755-8981 8866 Fax: +86-755-8427 6832

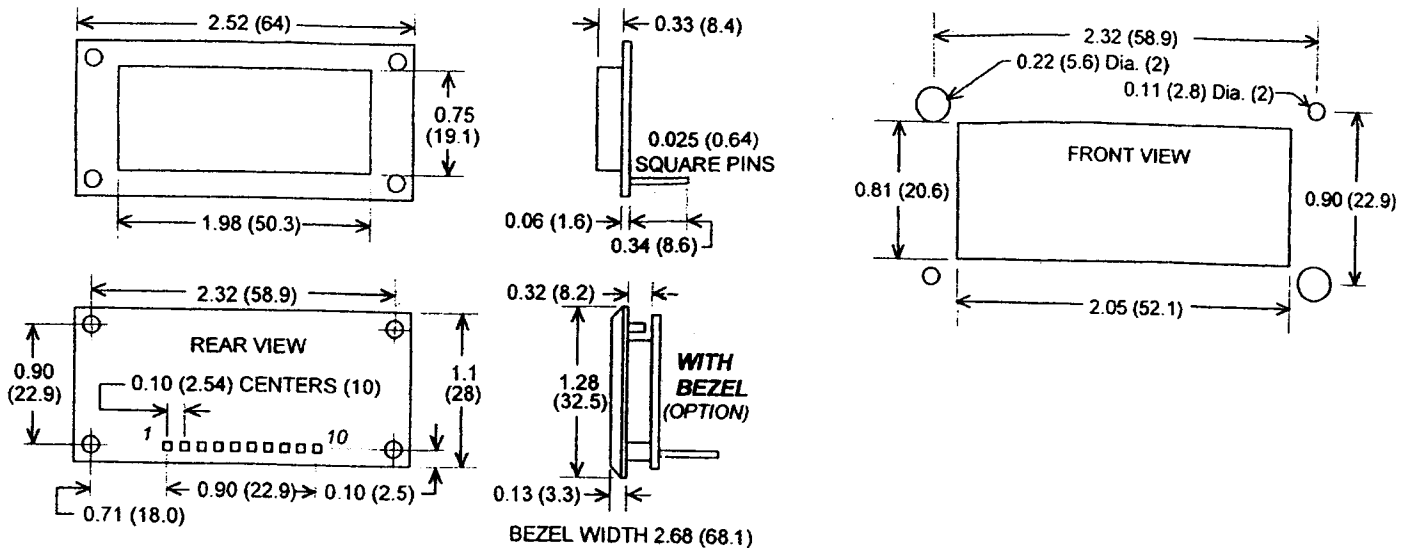
Email & Skype: info@chipsmall.com Web: www.chipsmall.com

Address: A1208, Overseas Decoration Building, #122 Zhenhua RD., Futian, Shenzhen, China



DPM-35

Dimensions



Specifications

Display:	
Digits:	3 1/2 Digits (± 1999 counts)
Type:	0.56" (14.2mm) Red or Green 7-Segment LED
Polarity:	Automatic, "*" Displayed
Decimal Points:	3 Position, User Selectable
Overload:	Three lower order digits blank for inputs >1999 & <-1999
Hold:	Display Hold Function is Standard
Inputs:	
Ranges:	$\pm 200.0\text{mV}$, $\pm 2.000\text{V}$, $\pm 20.00\text{V DC}$ Process Inputs, 4 to 20mA (with optional adder board)
Configuration:	Bipolar, Differential
Protection:	$\pm 350\text{V DC}$, ($\pm 100\text{V DC}$ on 200mV Range)
Impedance:	>1 Megohm, (>10 Megohm on 200mV Range)
Loop Burden:	15 Ω nominal
Performance:	
Accuracy:	$\pm(0.1\% + 1$ counts) Typical $\pm(0.2\% + 2$ counts) Maximum
Conversion Rate:	3 per Second
Normal Mode Rejection:	>30 db @ 60 Hz
Common Mode Range:	$\pm 1\text{V DC}$
Common Mode Rej.:	>86 dB
Zero Adjustment:	Automatic
Warmup:	10 Minutes Typical
Temperature Coeff.:	± 100 ppm per $^{\circ}\text{C}$ Typical
Environment:	
Operating Range:	0 to 50 $^{\circ}\text{C}$
Storage Range:	-20 to 70 $^{\circ}\text{C}$
Power Supply:	
Voltage:	+5V DC ($\pm 5\%$)
Current:	200mA
Mounting:	
	Window Mount, or Bezel Mount with Optional Bezel
Process Adder Board:	Plugs onto DPM pins, adds approx. 0.6" (16mm) to depth
Connection:	
	Pins, 0.025" Square on 0.1" centers
	Screw terminals on Process Adder Board

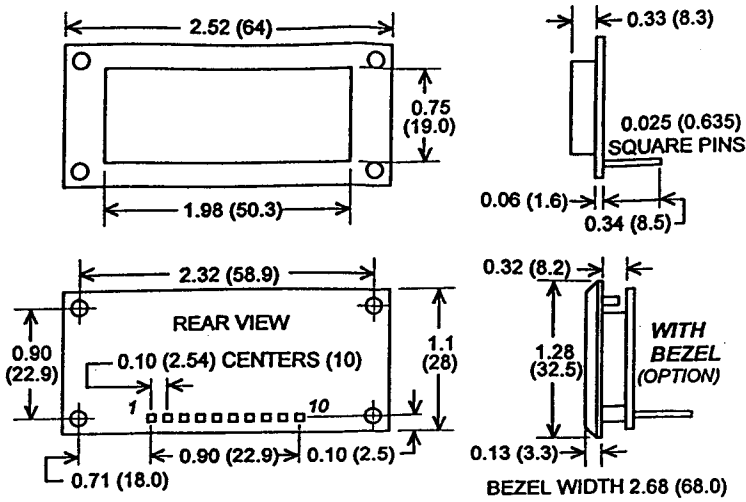
MARTEL ELECTRONICS CORP.

PO Box 770
Londonderry, NH 03053

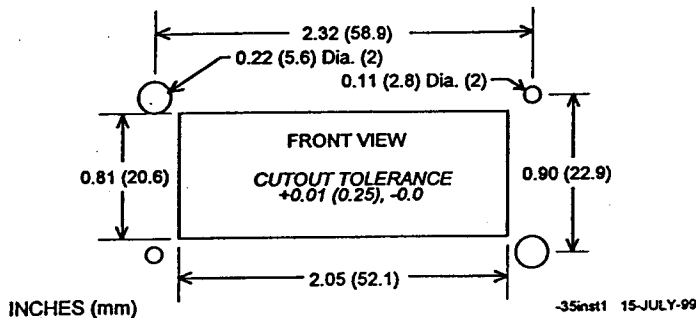
800-821-0023
623-434-1433
fax: 603-434-1653

www.martelcorp.com

MECHANICAL DIMENSIONS



BEZEL MOUNT CUTOUT DIMENSIONS

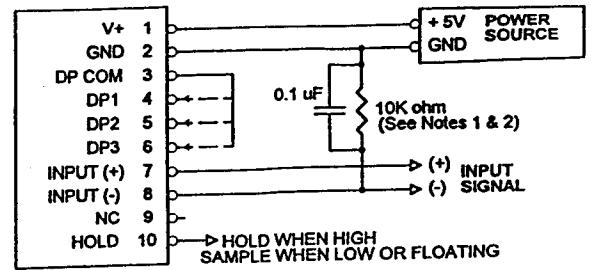


DPM 35 Series

PIN DESCRIPTIONS

PIN	DESCRIPTION
V+	+5V DPM POWER SUPPLY
GND	DPM POWER SUPPLY GROUND
DP COM	DECIMAL POINT RETURN
DP1	1XX.X
DP2	1X.XX
DP3	1.XXX
INPUT (+)	POSITIVE INPUT SIGNAL
INPUT (-)	NEGATIVE INPUT SIGNAL
NC	NO CONNECTION REQUIRED
HOLD	HOLD LAST DISPLAY

WIRING CONNECTIONS



1. Floating Input: The input common mode range is +/- 1 VDC. If INPUT (-) is not directly connected to GND, a 10K resistor network can be connected as shown to reduce unstable readings.
2. Single-Ended Input: The 10K resistor network is not required. The INPUT (-) is internally connected to GND.

Unused pins should be left open.

CAUTION: Damage to the unit can occur if the power source polarity is reversed, or a voltage greater than 6V is applied between pins 1 & 2

3.5 DIGIT LCD DPM INSTALLATION SHEET