



Chipsmall Limited consists of a professional team with an average of over 10 year of expertise in the distribution of electronic components. Based in Hongkong, we have already established firm and mutual-benefit business relationships with customers from,Europe,America and south Asia,supplying obsolete and hard-to-find components to meet their specific needs.

With the principle of “Quality Parts,Customers Priority,Honest Operation,and Considerate Service”,our business mainly focus on the distribution of electronic components. Line cards we deal with include Microchip,ALPS,ROHM,Xilinx,Pulse,ON,Everlight and Freescale. Main products comprise IC,Modules,Potentiometer,IC Socket,Relay,Connector.Our parts cover such applications as commercial,industrial, and automotives areas.

We are looking forward to setting up business relationship with you and hope to provide you with the best service and solution. Let us make a better world for our industry!



## Contact us

Tel: +86-755-8981 8866 Fax: +86-755-8427 6832

Email & Skype: info@chipsmall.com Web: www.chipsmall.com

Address: A1208, Overseas Decoration Building, #122 Zhenhua RD., Futian, Shenzhen, China





## MS5637 PERIPHERAL MODULE

### Digital Pressure Sensor

#### General Description

The MS5637 peripheral module provides the necessary hardware to interface the MS5637 digital barometric pressure and temperature sensor to any system that utilizes Xplained pro compatible expansion ports configurable for I<sup>2</sup>C communication. The MS5637 sensor is a self-contained pressure and temperature sensor that is fully calibrated during manufacture. The sensor can operate from 1.5V to 3.6V. The sensor module includes a high-linearity pressure sensor and an ultra-low power 24 bit  $\Sigma$  ADC with internal factory-calibrated coefficients.

#### Specifications

- Measures pressure from 300mbar to 1200mbar
- Measures temperature from -40°C to 125°C
- I<sup>2</sup>C communication
- Fully calibrated
- Fast response time
- Very low power consumption

#### Features

- 20-pin Xplained pro compatible connector
- I<sup>2</sup>C interface
- Xplained Pro hardware identification chip
- Atmel Studio 6 Project available for download
- $\mu$ C C code available for download
- 24 bit resolution for pressure
- 24 bit resolution for temperature
- Parameters stored on chip

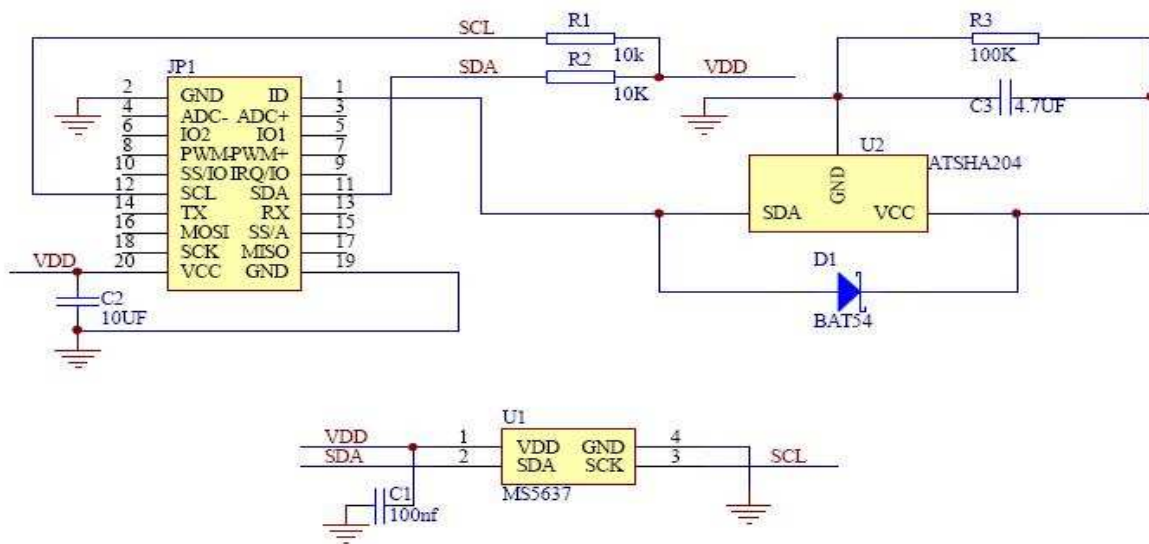
# MS5637 PERIPHERAL MODULE

Digital Pressure Sensor

## Performance

- 300 to 1200mbar pressure range
- -40°C to 85°C temperature range
- Very low power consumption
- Operates from 1.5V to 3.6V
- Altitude resolution at sea level is 20 cm of air
- Fast conversion time – 0.5 mS typical

## Schematic



## MS5637 PERIPHERAL MODULE

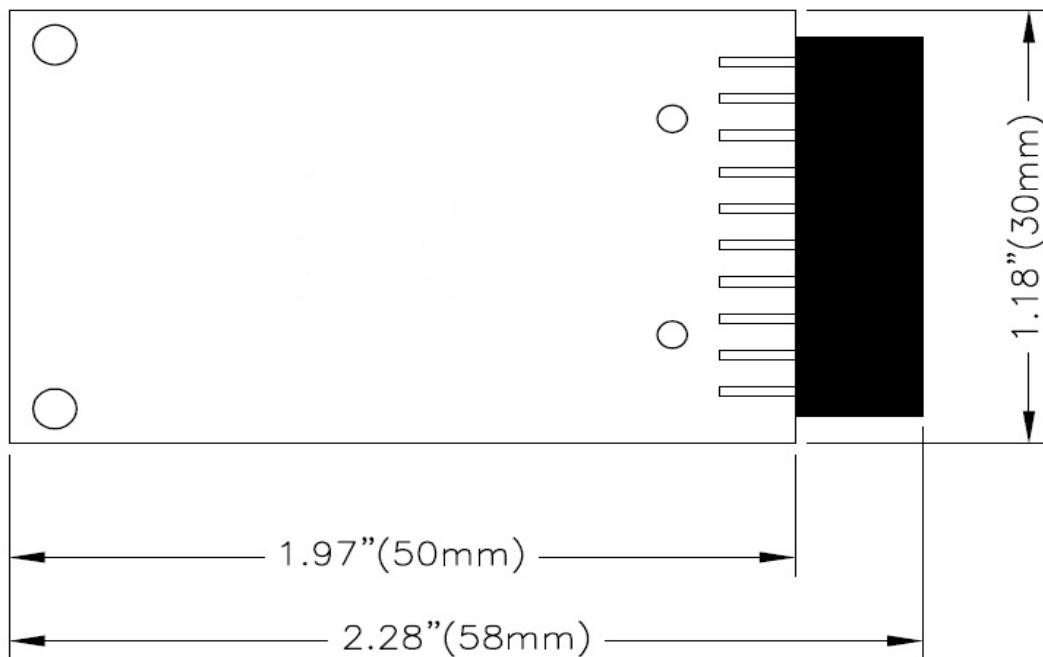
Digital Pressure Sensor

### Connector Pin Assignments (I<sup>2</sup>C Communications)

System Plug (Table 1)

Connector JP1					
Pin No.	Signal	Description	Pin No.	Signal	Description
1	ID	Address	11	SDA	I2C Serial Data
2	GND	Ground	12	SCL	I2C Serial Clock
3	N/C	Not Connected	13	N/C	Not Connected
4	N/C	Not Connected	14	N/C	Not Connected
5	N/C	Not Connected	15	N/C	Not Connected
6	N/C	Not Connected	16	N/C	Not Connected
7	N/C	Not Connected	17	N/C	Not Connected
8	N/C	Not Connected	18	N/C	Not Connected
9	N/C	Not Connected	19	GND	Ground
10	N/C	Not Connected	20	Vdd	Power Supply

### Dimensions(mm)



## MS5637 PERIPHERAL MODULE

Digital Pressure Sensor

### Detailed Description

#### I<sup>2</sup>C Interface

The peripheral module can interface to the host being plugged directly into an Xplained Pro extension port (configured for I2C) through connector JP1

### Reference Material

- Detailed information regarding operation of the IC:  
[MS5637 Datasheet](#)
- Detailed information regarding SAMD2x Driver:  
MS5637 SAMD2x Driver
- Complete software sensor evaluation kit for Xplained Pro:  
MS5637 SAMD2x Software

### Ordering Information

Description	Part Number
MS5637 PERIPHERAL MODULE	DPP101A000

#### [te.com/en/products/sensors.html](http://te.com/en/products/sensors.html)

TE Connectivity, TE Connectivity (logo) and Every Connection Counts are trademarks. All other logos, products and/or company names referred to herein might be trademarks of their respective owners.

The information given herein, including drawings, illustrations and schematics which are intended for illustration purposes only, is believed to be reliable. However, TE Connectivity makes no warranties as to its accuracy or completeness and disclaims any liability in connection with its use. TE Connectivity's obligations shall only be as set forth in TE Connectivity's Standard Terms and Conditions of Sale for this product and in no case will TE Connectivity be liable for any incidental, indirect or consequential damages arising out of the sale, resale, use or misuse of the product. Users of TE Connectivity products should make their own evaluation to determine the suitability of each such product for the specific application.

© 2015 TE Connectivity Ltd. family of companies All Rights Reserved.

000000XX 03/15 Original

#### PRODUCT SHEET

##### Contact us:

Measurement Specialties Inc – MEAS France  
Impasse Jeanne Benozzi CS 83 163  
31027 Toulouse Cedex 3, FRANCE  
Tel: +33 (0)5 820.822.02 Fax: +33 (0)5.820.821.51  
Sales: [sales.tlse.fr@meas-spec.com](mailto:sales.tlse.fr@meas-spec.com)  
MEAS Website: [http://www.meas-spec.com/DCS\\_TBD](http://www.meas-spec.com/DCS_TBD)

