



Chipsmall Limited consists of a professional team with an average of over 10 year of expertise in the distribution of electronic components. Based in Hongkong, we have already established firm and mutual-benefit business relationships with customers from,Europe,America and south Asia,supplying obsolete and hard-to-find components to meet their specific needs.

With the principle of “Quality Parts,Customers Priority,Honest Operation,and Considerate Service”,our business mainly focus on the distribution of electronic components. Line cards we deal with include Microchip,ALPS,ROHM,Xilinx,Pulse,ON,Everlight and Freescale. Main products comprise IC,Modules,Potentiometer,IC Socket,Relay,Connector.Our parts cover such applications as commercial,industrial, and automotives areas.

We are looking forward to setting up business relationship with you and hope to provide you with the best service and solution. Let us make a better world for our industry!



Contact us

Tel: +86-755-8981 8866 Fax: +86-755-8427 6832

Email & Skype: info@chipsmall.com Web: www.chipsmall.com

Address: A1208, Overseas Decoration Building, #122 Zhenhua RD., Futian, Shenzhen, China





39.6 (W) x 38.7 (H) x 85.5 (L) mm

DPS-24HB

FEATURES

- Total Power 24W, peak 38.4W for 4Sec.
- 90-264Vac Auto Range Input
- Efficiency : Meet DoE level VI
- High Reliability : > 100,000 Hours @ 25 °C, 100Vac/80% maximum load
- Protection : Short / Over-current / Over-voltage / Over-temperature
- Safety : CCC/CB/FCC/UL/BSMI
- EMI : CLASS B

Input	Voltage Range	90~264Vac Auto Range
	Frequency	47~63Hz
	Efficiency	The average efficiency at 25%, 50%, 75% and 100% load \geq 86.21%
	Input Current	100Vac/12V/2A load \leq 2A 240Vac/12V/2A load \leq 1A
Output	12V	0A ~ 2A
Protection	Over-current	Auto Recovery
	Over-temperature	Auto Recovery
	Short	Auto Recovery
	Over-voltage	Auto Recovery
Environment	Operating Temp.	0 to 40°C (Refer the Power de-rating curve) The PSU should turn on at -30 °C
	Storage Temp.	-20 to 70 °C
	Operating Humidity	20% - 85%
	Storage Humidity	5% - 95%



DELTA ELECTRONICS, INC.
3, TUNG YUAN ROAD, CHUNGLI
INDUSTRIAL ZONE
TAOYUAN SHIEH, TAIWAN, R.O.C.
TEL: 886-3-4526107
FAX: 886-3-4527314
mail: powersales@delta.com.tw

DELTA PRODUCTS CORPORATION
4405 CUSHING PARKWAY
FREMONT, CA 94538, U.S.A.
TEL: 1-510-668-5100
FAX: 1-510-668-0680

DELTA ELECTRONICS(JAPAN) INC.
DELTA SHIBADAIMON BLDG.
2-1-14 SHIBADAIMON, MINATO-KU,
TOKYO, 105-0012, JAPAN
TEL: 81-3-5733-1111
FAX: 81-3-5733-1211

DELTA ELECTRONICS, EUROPE LTD.
2 YOUNG PLACE KELVIN
INDUSTRIAL ESTATE EAST KILBROIDE,
GLASGOW G75 0TD, U.K.
TEL: 44-1355-588888
FAX: 44-1355-588889

The de-rating curve of ambient temperature shown as Fig.1.

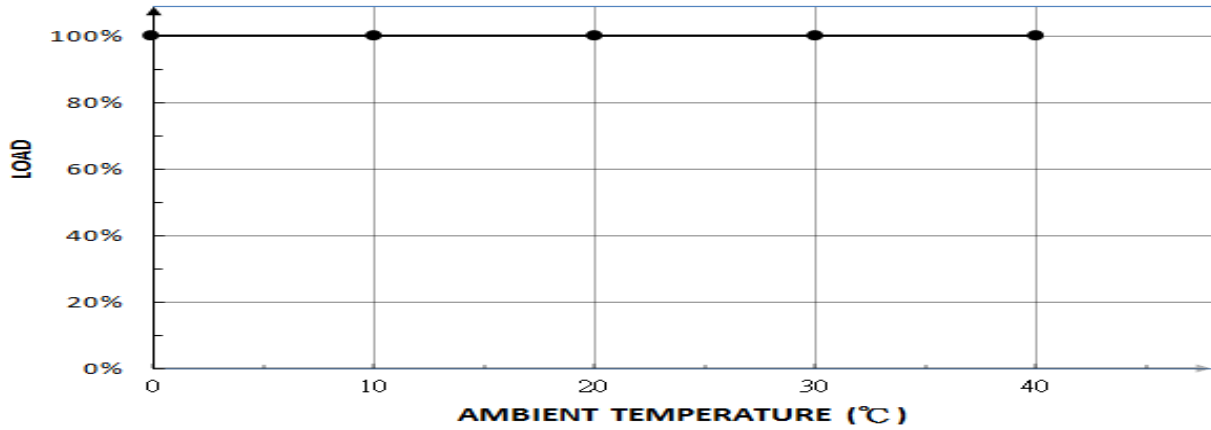
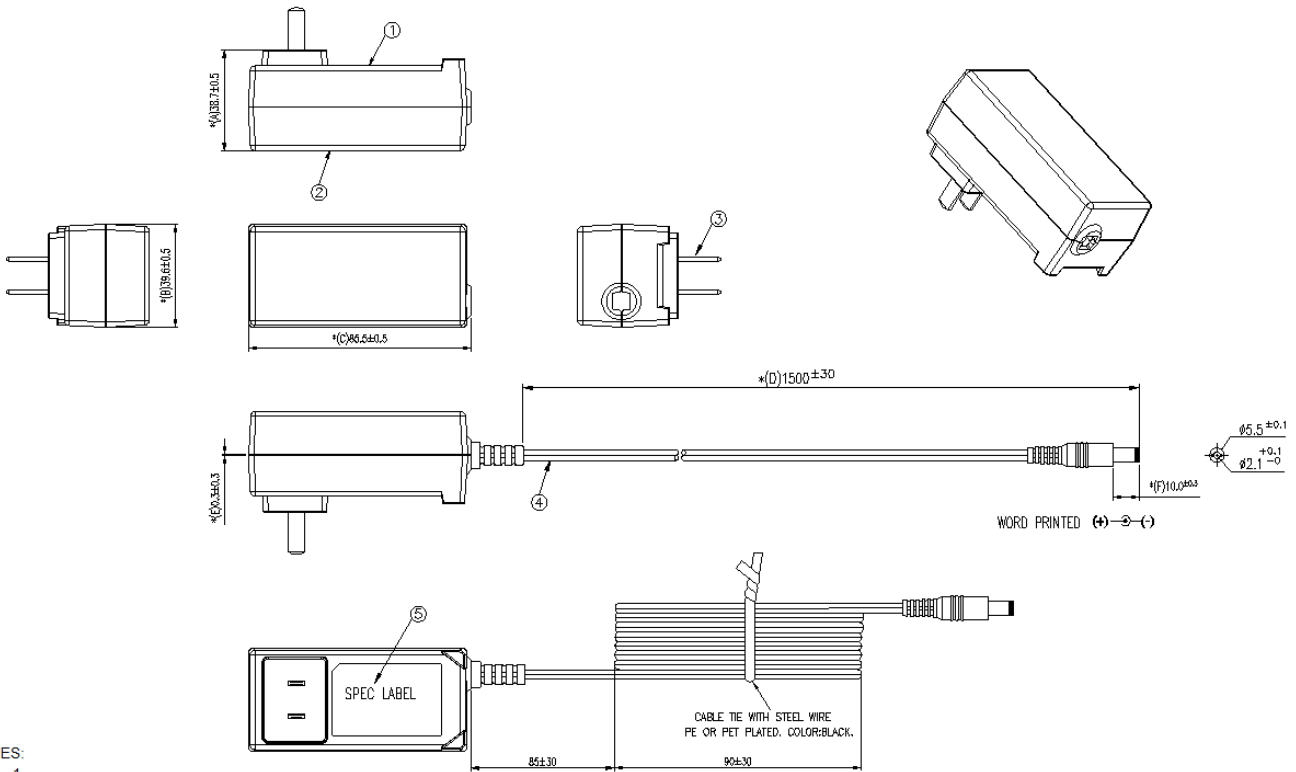


Fig.1 Power de-rating curve of Ambient temperature

Size : (L x W x H)	85.5*39.6*38.7mm
AC Input Connector	China integrated plug
DC Output Connector	TUNING FORK PLUG(2.1*5.5)



NOTES:

1.

ITEM	PART NAME	COLOR
①	CHASSIS	BLACK
②	COVER	BLACK
③	AC PIN	SILVER
④	POWER CORD	BLACK
⑤	LABEL	BLACK

2. *** IS CRITICAL DIM WHICH MUST BE MEASURED.