



Chipsmall Limited consists of a professional team with an average of over 10 year of expertise in the distribution of electronic components. Based in Hongkong, we have already established firm and mutual-benefit business relationships with customers from,Europe,America and south Asia,supplying obsolete and hard-to-find components to meet their specific needs.

With the principle of “Quality Parts,Customers Priority,Honest Operation,and Considerate Service”,our business mainly focus on the distribution of electronic components. Line cards we deal with include Microchip,ALPS,ROHM,Xilinx,Pulse,ON,Everlight and Freescale. Main products comprise IC,Modules,Potentiometer,IC Socket,Relay,Connector.Our parts cover such applications as commercial,industrial, and automotives areas.

We are looking forward to setting up business relationship with you and hope to provide you with the best service and solution. Let us make a better world for our industry!



Contact us

Tel: +86-755-8981 8866 Fax: +86-755-8427 6832

Email & Skype: info@chipsmall.com Web: www.chipsmall.com

Address: A1208, Overseas Decoration Building, #122 Zhenhua RD., Futian, Shenzhen, China





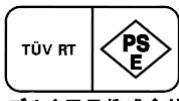
51.5 (W) x 30.5 (H) x 115 (L) mm

DPS-65VB

FEATURES

- Total Power 65W, peak 78W for 3Sec.
- Efficiency : Meet DoE level VI
- High Reliability : > 100,000 Hours @ 25°C , 100Vac/maximum load
- Protection : Short / Over-current / Over-voltage / Over-temperature
- Safety : CCC, CB, UL/CUL, TUV, CE, BSMI, PSE, KC, RCM, EAC, NOM, TUV-S, ANATEL, SASO, SABS, BIS, MEPS, NRCAN, meet CCC tropical standard.
- EMI : CLASS B

Input	Voltage Range	100~264Vac Auto Range
	Frequency	47~63Hz
	Efficiency	The average efficiency at 25%, 50%, 75% and 100% load/115Vac 60Hz/230Vac 50Hz ≥ 88%
	Input Current	100Vac/12V/2A load ≤ 2A
Output	12V	0A ~ 5.417A
Protection	Over-current	Auto Recovery
	Over-temperature	Latch-off
	Short	Auto Recovery
	Over-voltage	Latch-off
Environment	Operating Temp.	0 to 40°C
	Storage Temp.	-20 to 80 °C
	Operating Humidity	20% - 80%
	Storage Humidity	10% - 90%



DELTA 電子株式会社



R33030



DELTA ELECTRONICS, INC.
3, TUNG YUAN ROAD, CHUNGLI
INDUSTRIAL ZONE
TAOYUAN SHIEH, TAIWAN, R.O.C.
TEL: 886-3-4526107
FAX: 886-3-4527314
mail: powersales@delta.com.tw

DELTA PRODUCTS CORPORATION
4405 CUSHING PARKWAY
FREMONT, CA 94538, U.S.A.
TEL: 1-510-668-5100
FAX: 1-510-668-0680

DELTA ELECTRONICS(JAPAN) INC.
DELTA SHIBADAIMON BLDG.
2-1-14 SHIBADAIMON, MINATO-KU,
TOKYO, 105-0012, JAPAN
TEL: 81-3-5733-1111
FAX: 81-3-5733-1211

DELTA ELECTRONICS, EUROPE LTD.
2 YOUNG PLACE KELVIN
INDUSTRIAL ESTATE EAST KILBROIDE,
GLASGOW G75 OTD, U.K.
TEL: 44-1355-588888
FAX: 44-1355-588889

The de-rating curve of ambient temperature shown as Fig.1.

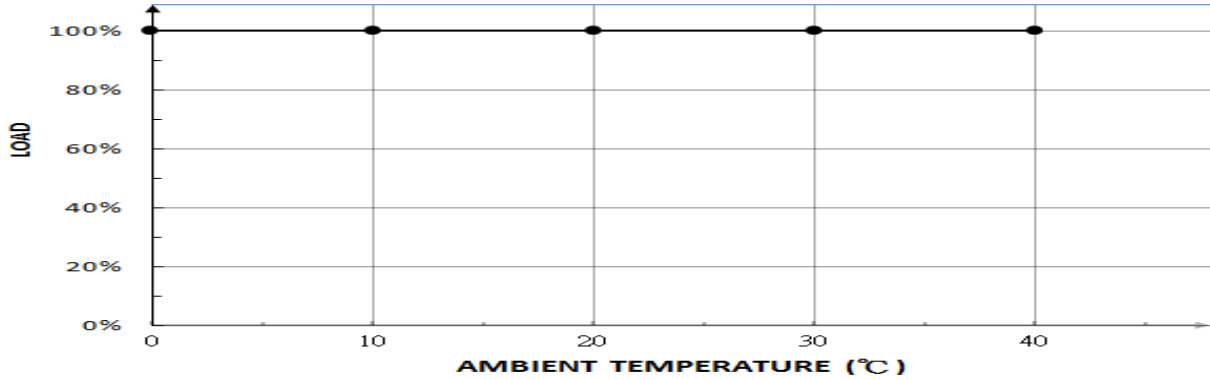
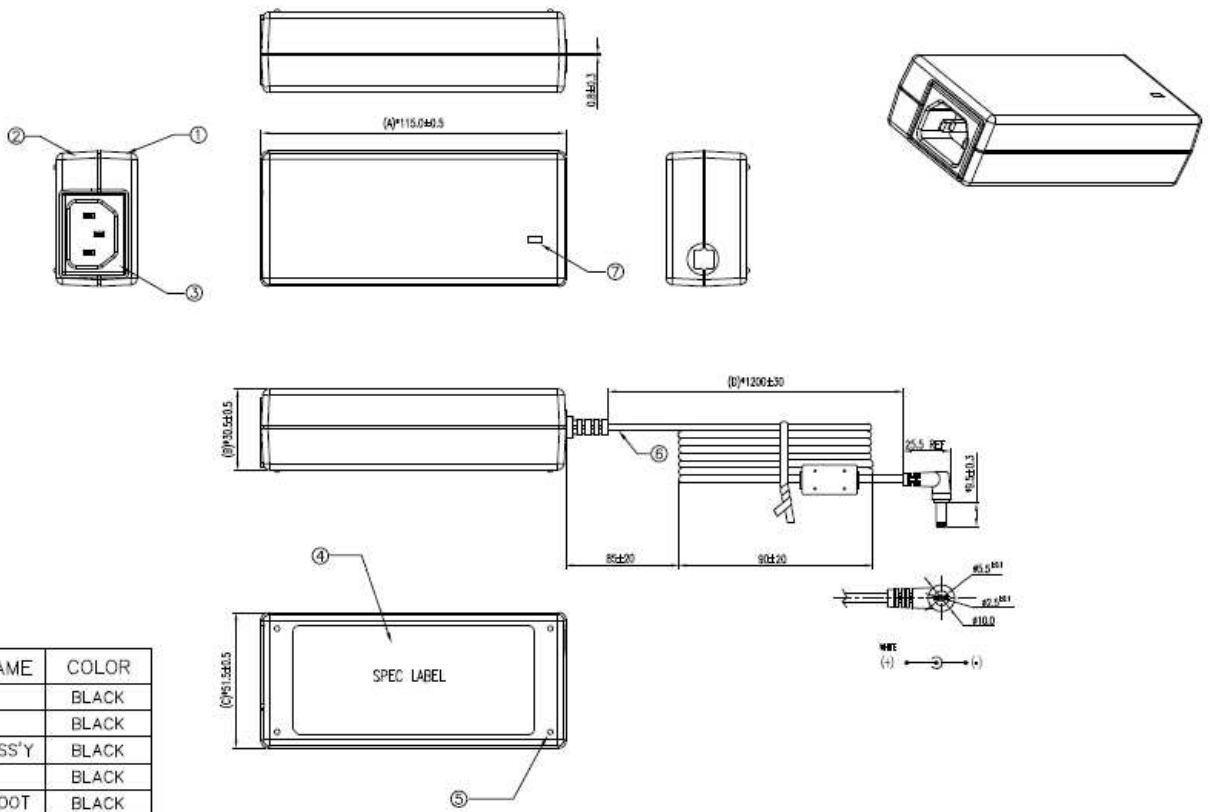


Fig.1 Ambient temperature to power de-rating curve

Size : (L x W x H)	115*51.5*30.5 mm
AC Input Connector	C14
DC Output Connector	TUNING FORK PLUG(2.5*5.5)



NOTES:

1.

ITEM	PART NAME	COLOR
①	CHASSIS	BLACK
②	COVER	BLACK
③	SOCKET ASS'Y	BLACK
④	LABEL	BLACK
⑤	RUBBER FOOT	BLACK
⑥	POWER CORD	BLACK
⑦	LENS	CLEAR

2. "*" IS CRITICAL DIM WHICH MUST BE MEASURED.