



Chipsmall Limited consists of a professional team with an average of over 10 year of expertise in the distribution of electronic components. Based in Hongkong, we have already established firm and mutual-benefit business relationships with customers from,Europe,America and south Asia,supplying obsolete and hard-to-find components to meet their specific needs.

With the principle of "Quality Parts,Customers Priority,Honest Operation,and Considerate Service",our business mainly focus on the distribution of electronic components. Line cards we deal with include Microchip,ALPS,ROHM,Xilinx,Pulse,ON,Everlight and Freescale. Main products comprise IC,Modules,Potentiometer,IC Socket,Relay,Connector.Our parts cover such applications as commercial,industrial, and automotives areas.

We are looking forward to setting up business relationship with you and hope to provide you with the best service and solution. Let us make a better world for our industry!



Contact us

Tel: +86-755-8981 8866 Fax: +86-755-8427 6832

Email & Skype: info@chipsmall.com Web: www.chipsmall.com

Address: A1208, Overseas Decoration Building, #122 Zhenhua RD., Futian, Shenzhen, China



BCD COMPLEMENT CODE 137

POS	0	1	2	3	4	5	6	7	8	9
C	X	X	X	X	X	X	X	X	X	X
I	X	X	X	X	X	X	X	X	X	X
2	X	X	X	X	X	X	X	X	X	X
4	X	X	X	X	X	X	X	X	X	X
8	X	X	X	X	X	X	X	X	X	X

BCD CODE 131

POS	0	1	2	3	4	5	6	7	8	9
C	X	X	X	X	X	X	X	X	X	X
1	X	X	X	X	X	X	X	X	X	X
2	X	X	X	X	X	X	X	X	X	X
4	X	X	X	X	X	X	X	X	X	X
8	X	X	X	X	X	X	X	X	X	X

DECIMAL CODE 111

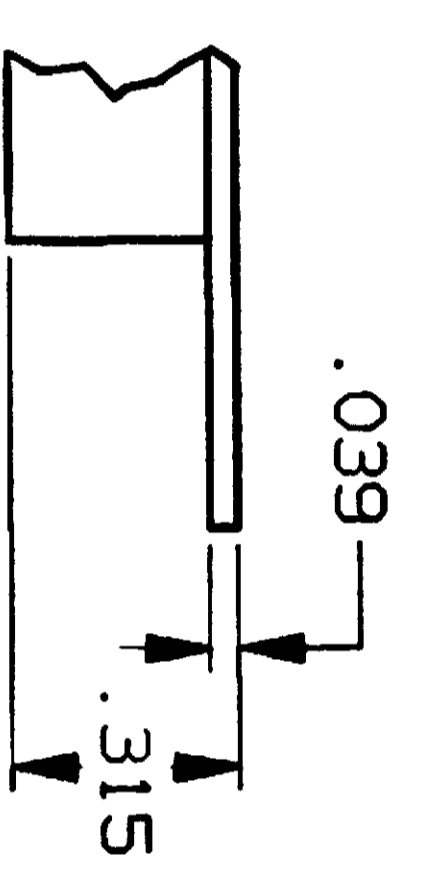
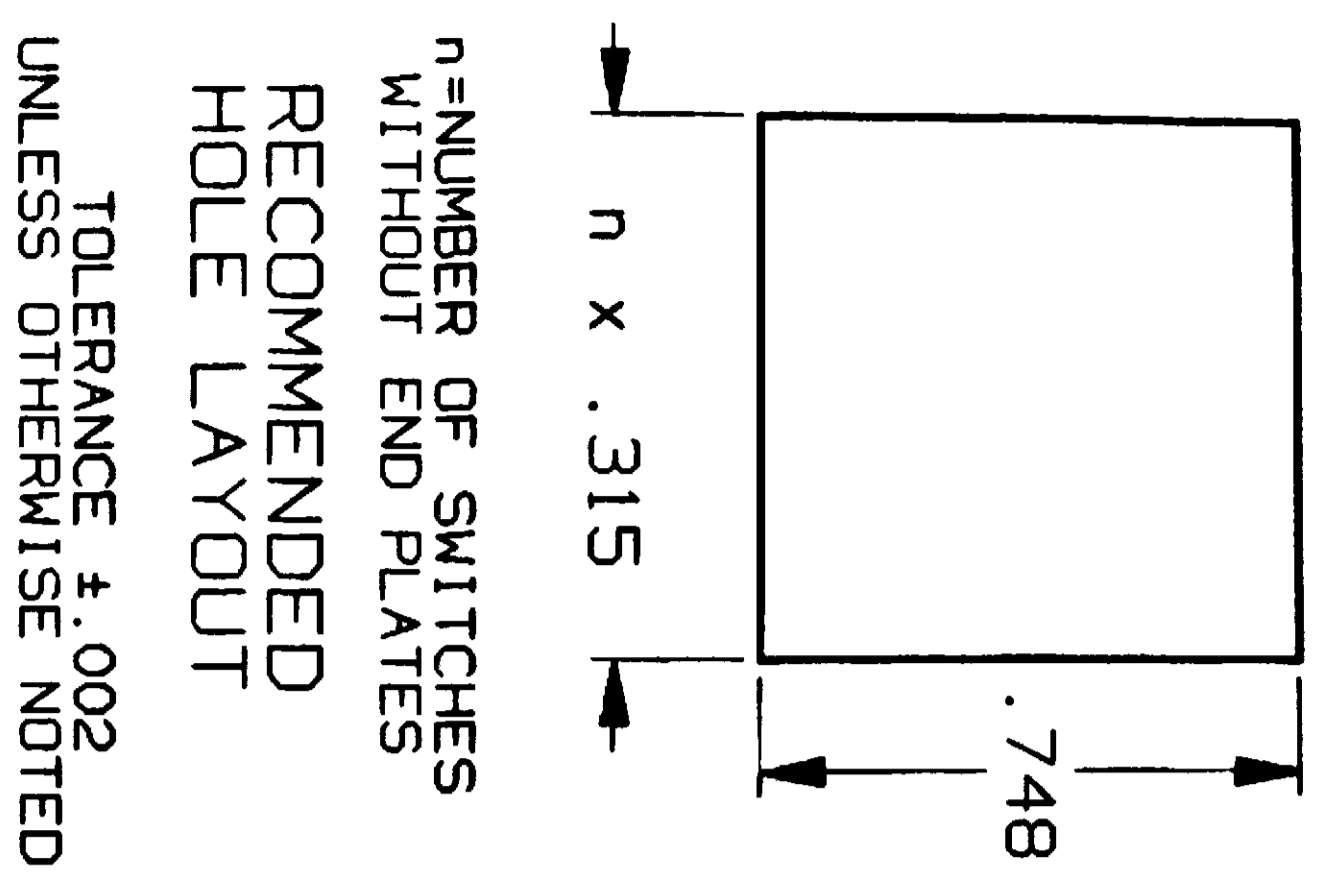
POS	0	1	2	3	4	5	6	7	8	9
C	X	X	X	X	X	X	X	X	X	X
0	X	X	X	X	X	X	X	X	X	X
1	X	X	X	X	X	X	X	X	X	X
2	X	X	X	X	X	X	X	X	X	X
3	X	X	X	X	X	X	X	X	X	X
4	X	X	X	X	X	X	X	X	X	X
5	X	X	X	X	X	X	X	X	X	X
6	X	X	X	X	X	X	X	X	X	X
7	X	X	X	X	X	X	X	X	X	X
8	X	X	X	X	X	X	X	X	X	X
9	X	X	X	X	X	X	X	X	X	X

CHANGE OVER SWITCH CODE 400

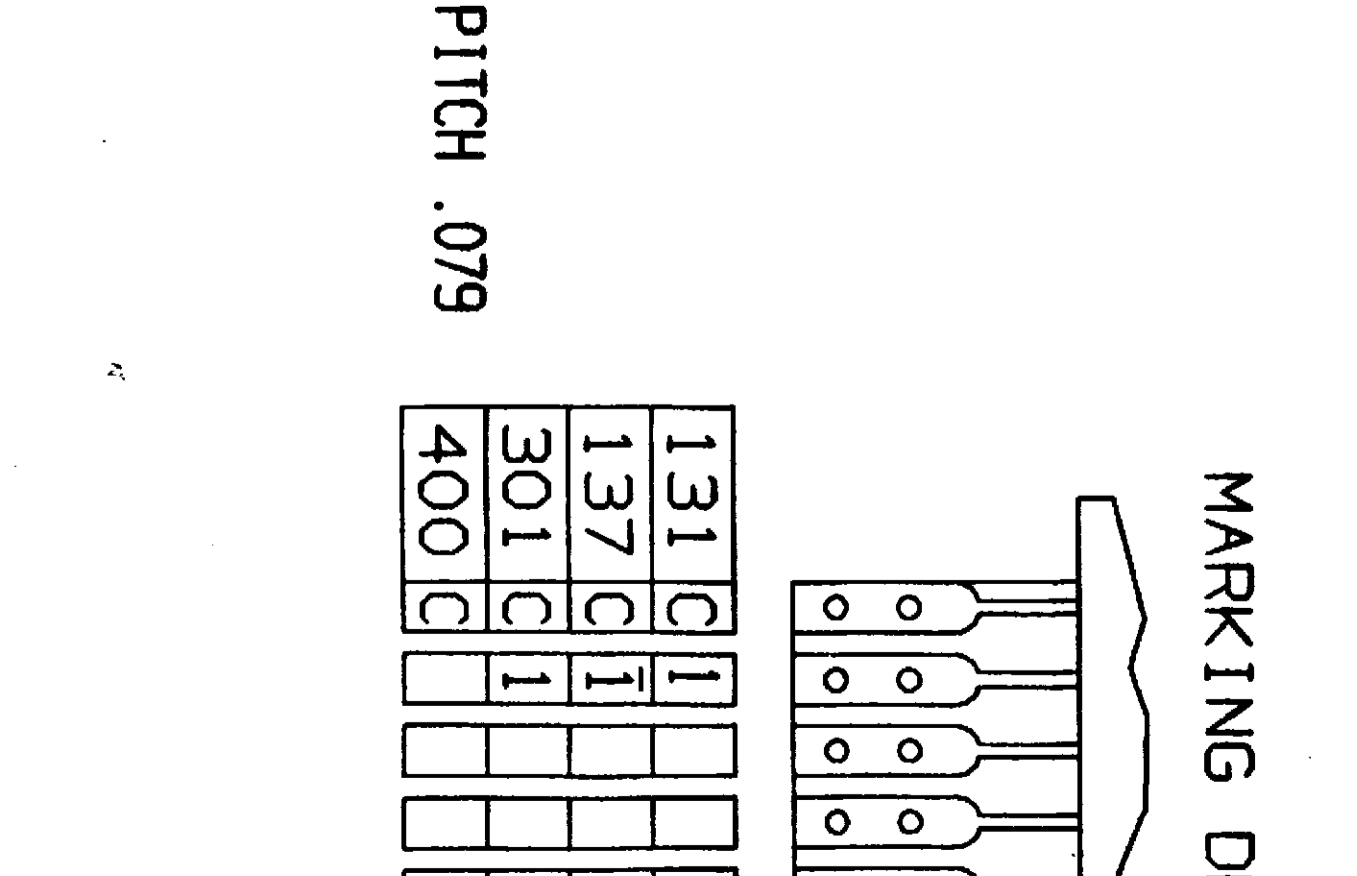
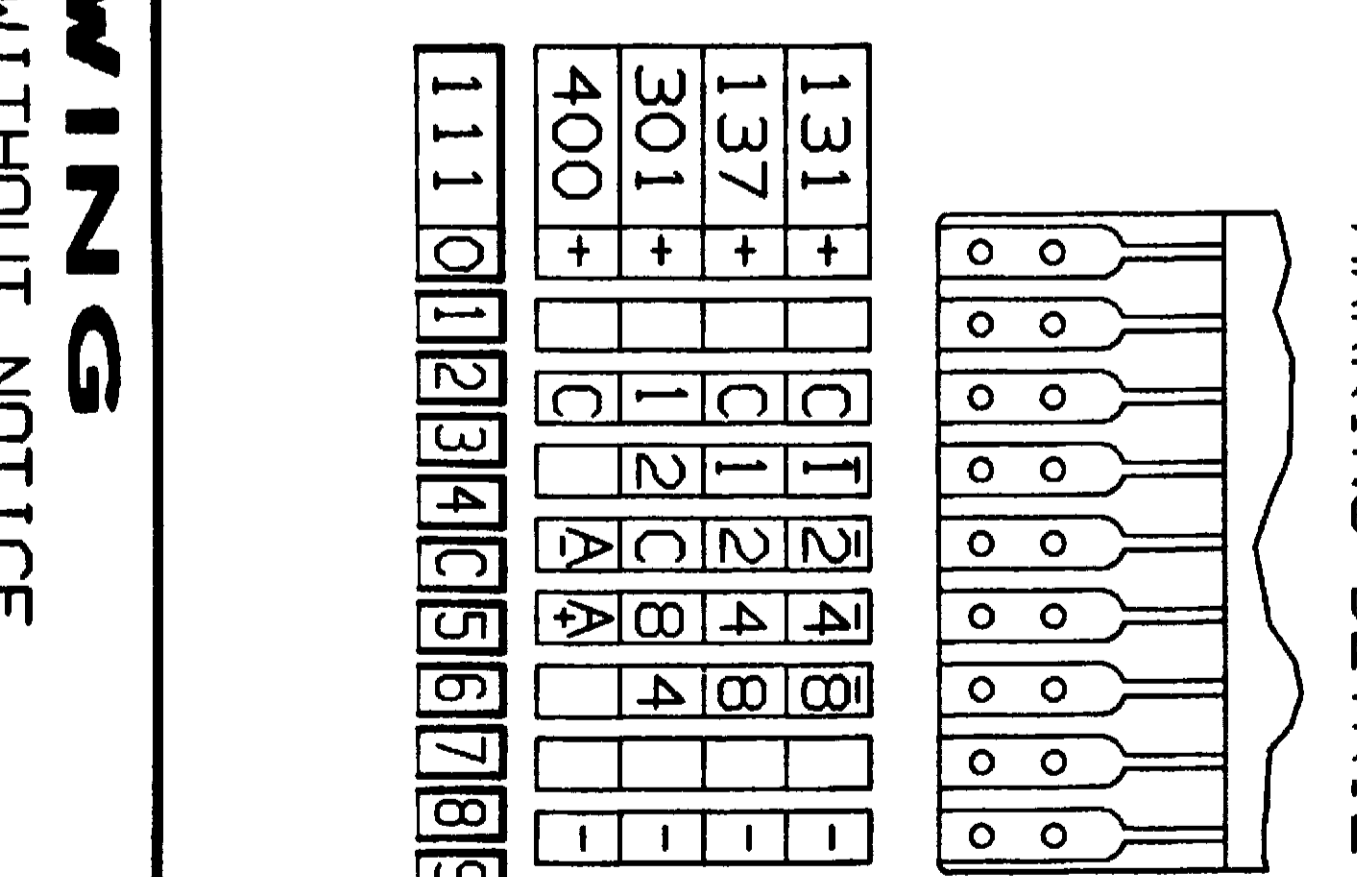
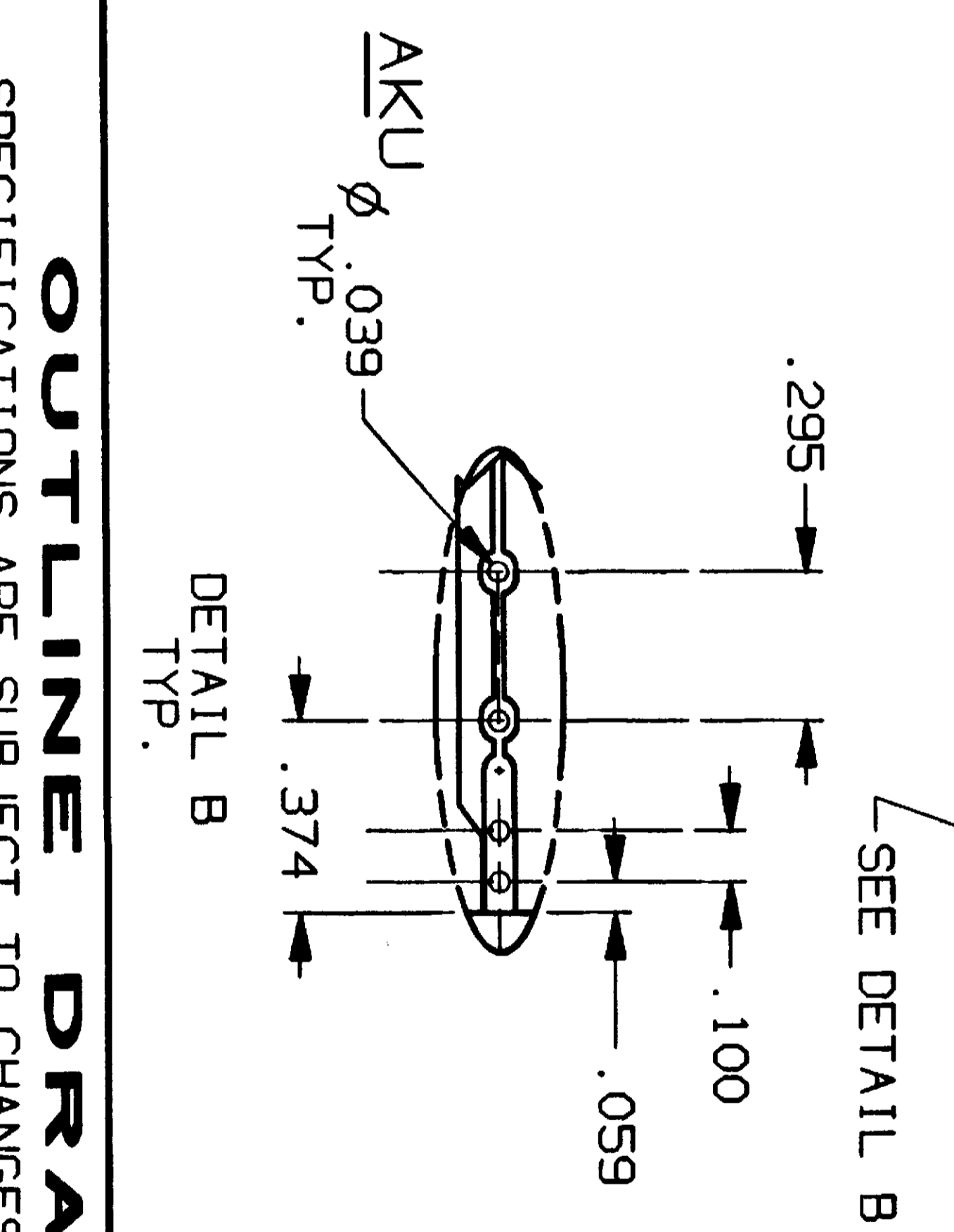
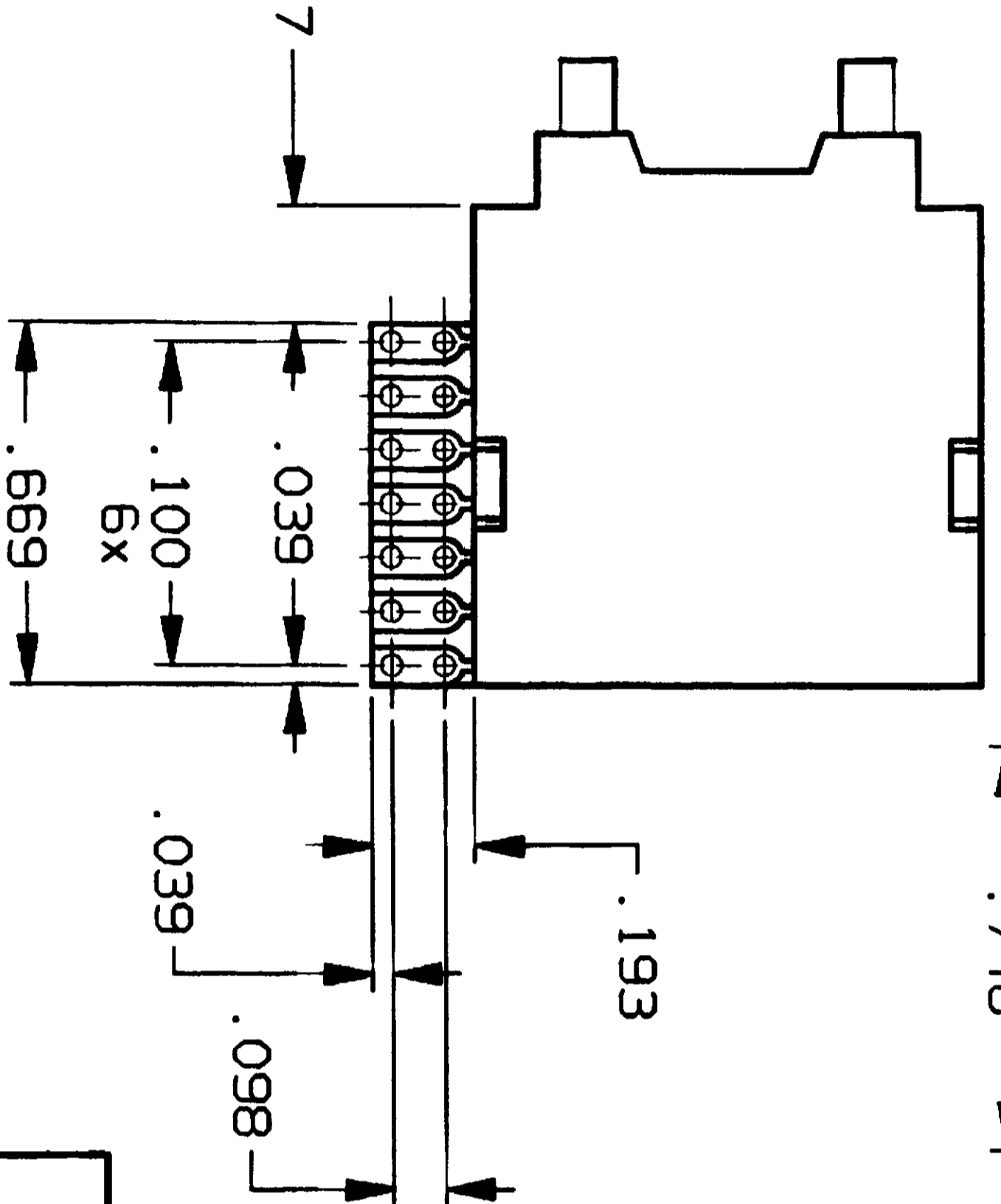
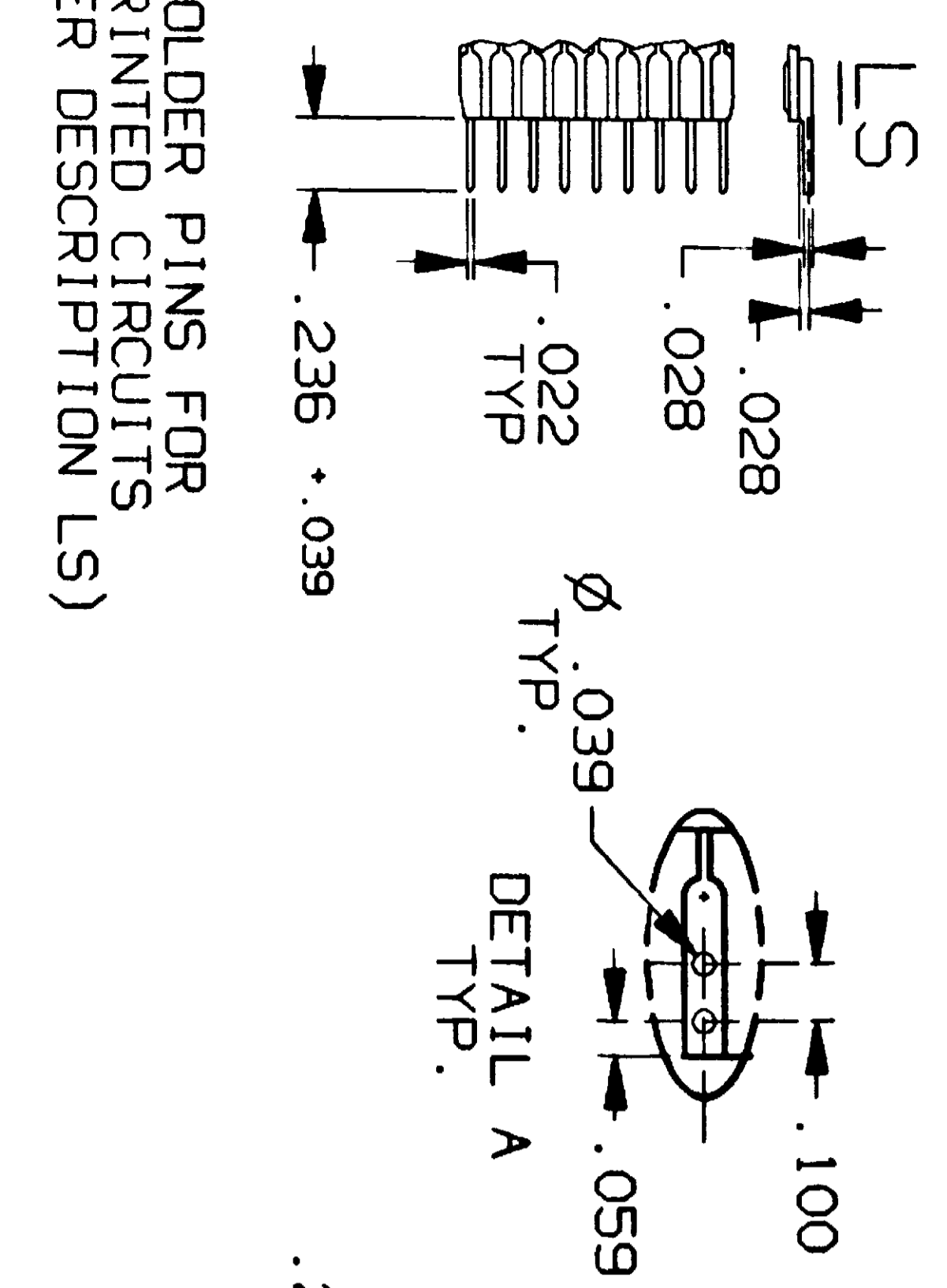
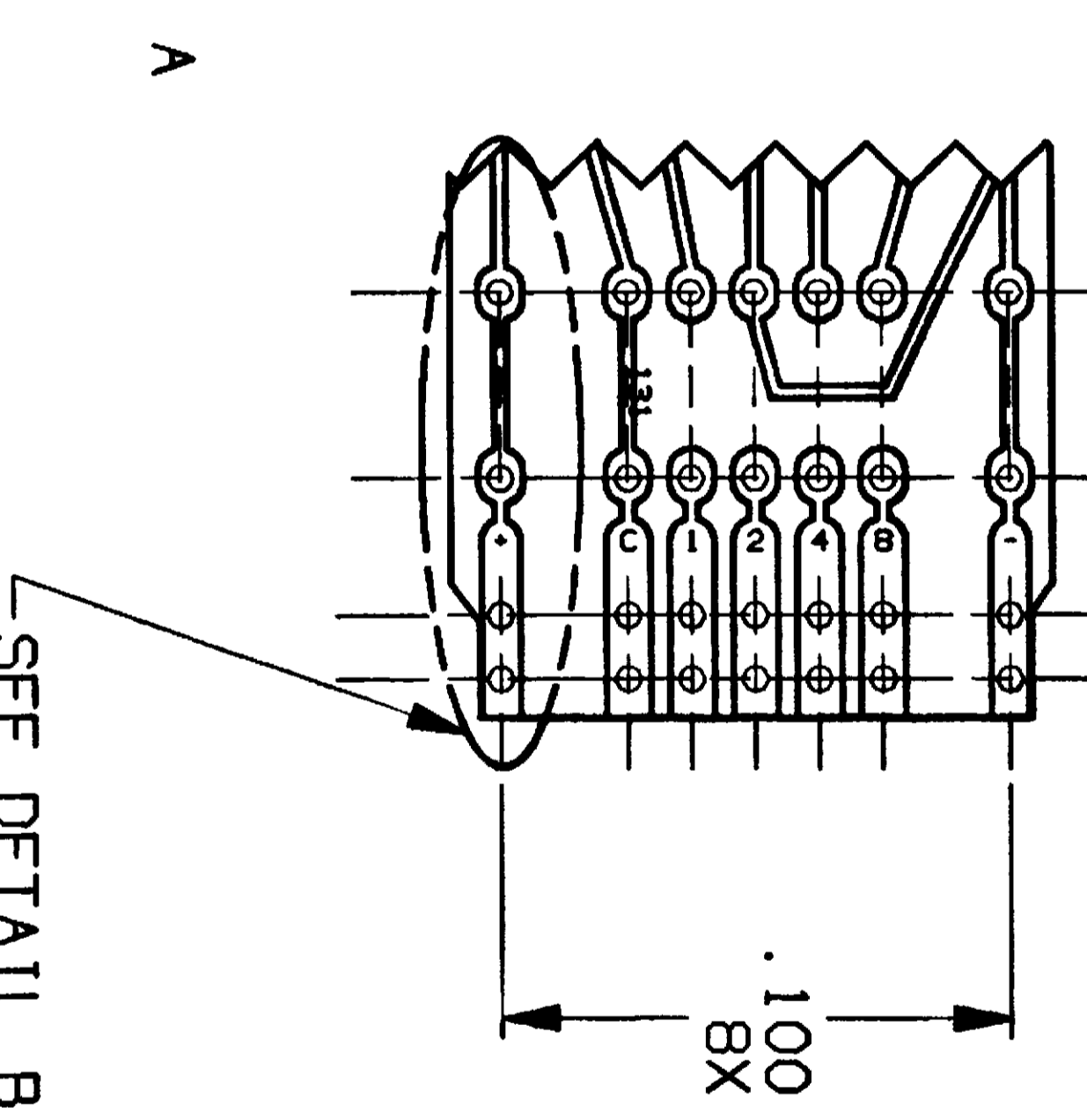
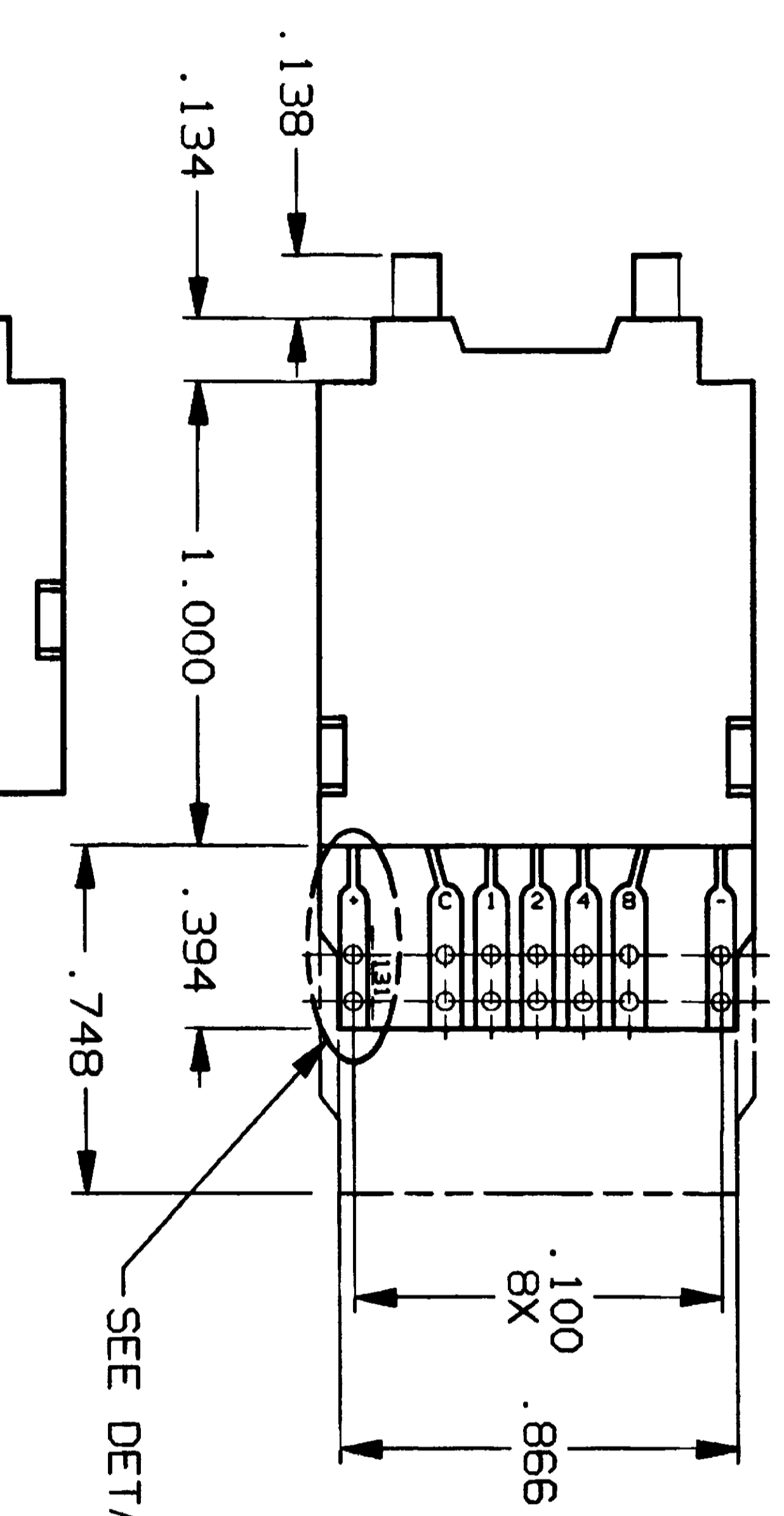
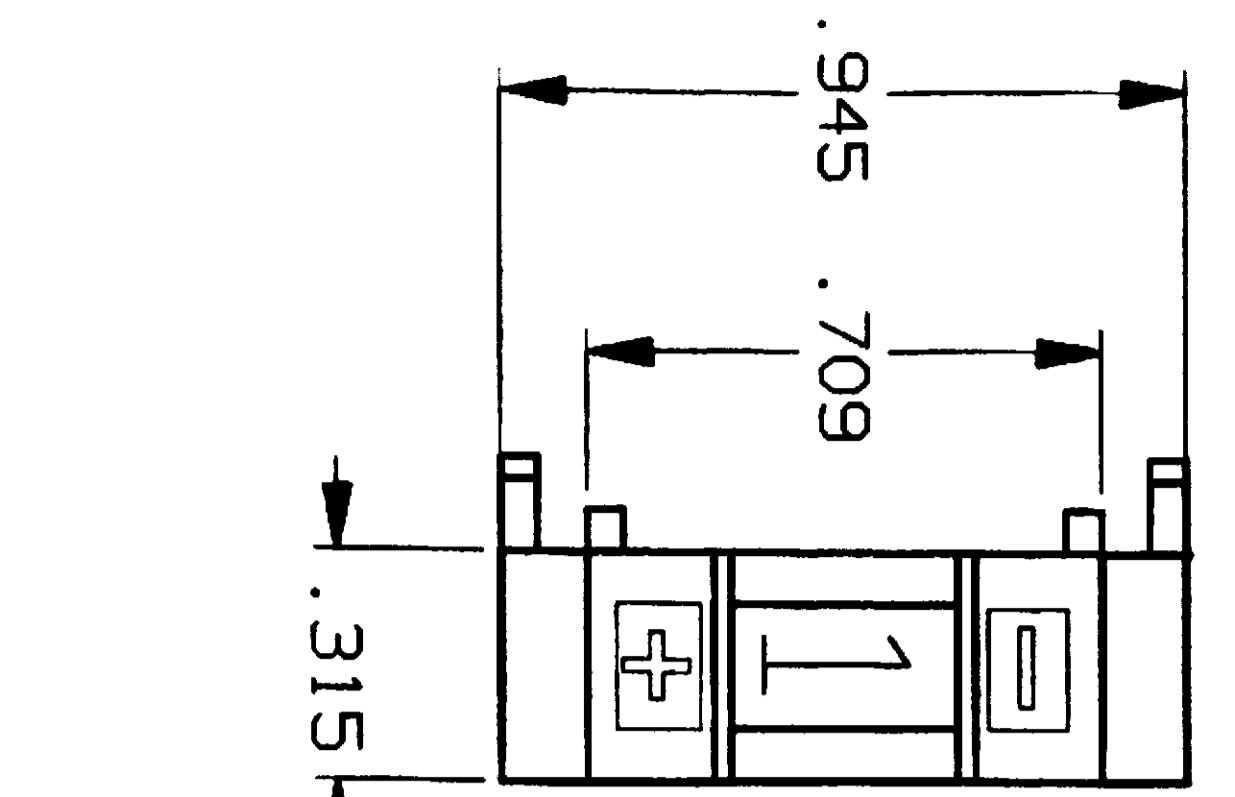
POS	C	A	A-	A-
C	X	X	X	X
1	X	X	X	X
2	X	X	X	X
3	X	X	X	X
4	X	X	X	X
5	X	X	X	X
6	X	X	X	X
7	X	X	X	X
8	X	X	X	X
9	X	X	X	X

HEXADECIMAL CODE 301

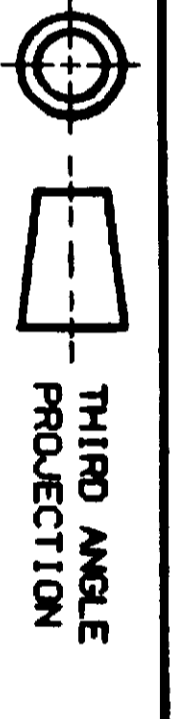
POS	0	1	2	3	4	5	6	7	8	9	A	B	C	D	E	F
C	X	X	X	X	X	X	X	X	X	X	X	X	X	X	X	X
1	X	X	X	X	X	X	X	X	X	X	X	X	X	X	X	X
2	X	X	X	X	X	X	X	X	X	X	X	X	X	X	X	X
4	X	X	X	X	X	X	X	X	X	X	X	X	X	X	X	X
8	X	X	X	X	X	X	X	X	X	X	X	X	X	X	X	X



.100	2.54
.134	3.40
.138	3.51
.193	4.90
.217	5.51
.236	6.00
.295	7.50
.315	8.00
.374	9.50
.394	10.01
.709	18.01
.748	19.00
.866	22.00
.945	24.00
1.000	25.40



OUTLINE DRAWING
SPECIFICATIONS ARE SUBJECT TO CHANGES WITHOUT NOTICE



TOLERANCES (EXCEPT AS NOTED)
ANGULAR = ±1/2°
DECIMAL .XX =
DECIMAL .XXX = ±.012
DECIMAL .XXXX =

UNLESS OTHERWISE SPECIFIED DIMENSIONS ARE IN INCHES DO NOT SCALE PRINT

ORIGINAL DATE 3/25/81
OF DRAWING:

STE TE Connectivity

FILE NAME: 800230UT
DIRECTOR: CODSWITCH

DRAWN: V.J. MARTIN
DATE: 3/25/81

TITLE: **OUTLINE DRAWING**
CODE SWITCH
DUAL PUSHBUTTON
DPS-8 SERIES

MATERIAL: SEE SPECIFICATIONS ABOVE

CHECKED: B. BUCKHEIT
DATE: 3/26/81

REV. **A**

FINISH: SEE SPECIFICATIONS ABOVE

APPROVED: D. SARKISIAN
DATE: 1/7/93

DMG. NO. **C-1-1437603-1**

REVISIONS

REV. **A**

REVISED PER ECO-11-005294
DR : RK
APR : HMR
DATE : 16APR11

DMG. NO. **C-1-1437603-1**
PRODUCT CODE: H13
SCALE: 2/1 SHEET 1 OF 1

SPECIFICATIONS:
MATERIALS: BLACK MATTE FINISH.
CASE: PPO, BLACK
ACTUATOR BUTTONS: PPO, BLACK
WINDOW: THERMOPLASTIC RESIN.
PCB: GLASS EPOXY TYPE, FR4
MOVING CONTACT: COPPER ALLOY, GOLD
FIXED CONTACT: COPPER, GOLD PLATE
TERMINALS: COPPER, GOLD PLATE
ELECTRICAL: CONTACT RATING: 0.4 VA @ 20 VDC OR PEAK AC. INITIAL CONTACT RESISTANCE: 0.15 OHMS MAX. LIFE EXPECTANCY: MORE THAN 10⁶ OPERATIONS
MECHANICAL: ACTUATION FORCE: APPROX. 14 oz. (4 N)
ENVIRONMENTAL: OPERATING TEMPERATURE: -4°F TO +176°F (-20°C TO +80°C)

- NOTES:**
- INTERPRET DRAWING PER ASME Y14.5M-1994.
 - ASSEMBLED PARTS TO BE PACKAGED FOR SHIPMENT IN ITEMS ANTISTATIC TREATED TO MEET THE REQUIREMENTS OF AUGAT SPECIFICATION NO. SPEC 224.
 - CHARACTER COLOR: WHITE ON BLACK BACKGROUND. CHARACTER HEIGHT: 10/16 DIGIT, .193/.134.