



Chipsmall Limited consists of a professional team with an average of over 10 year of expertise in the distribution of electronic components. Based in Hongkong, we have already established firm and mutual-benefit business relationships with customers from,Europe,America and south Asia,supplying obsolete and hard-to-find components to meet their specific needs.

With the principle of “Quality Parts,Customers Priority,Honest Operation,and Considerate Service”,our business mainly focus on the distribution of electronic components. Line cards we deal with include Microchip,ALPS,ROHM,Xilinx,Pulse,ON,Everlight and Freescale. Main products comprise IC,Modules,Potentiometer,IC Socket,Relay,Connector.Our parts cover such applications as commercial,industrial, and automotives areas.

We are looking forward to setting up business relationship with you and hope to provide you with the best service and solution. Let us make a better world for our industry!



Contact us

Tel: +86-755-8981 8866 Fax: +86-755-8427 6832

Email & Skype: info@chipsmall.com Web: www.chipsmall.com

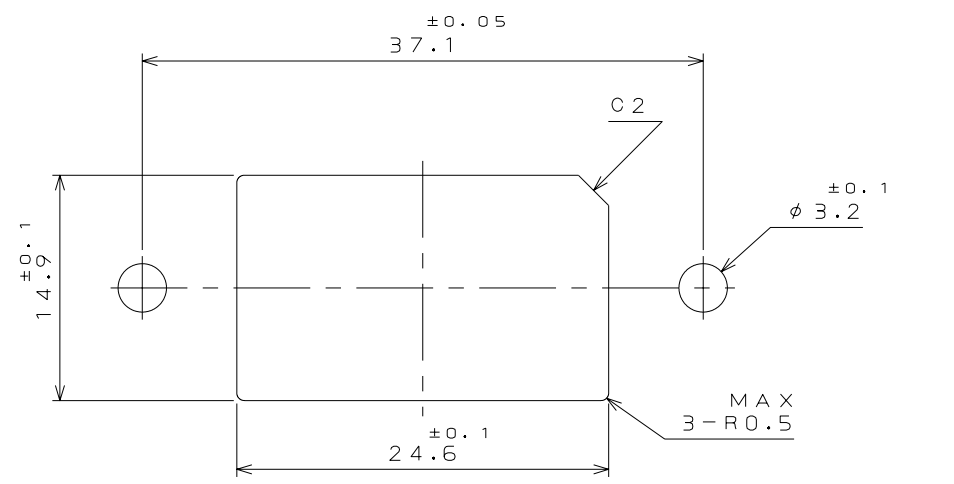
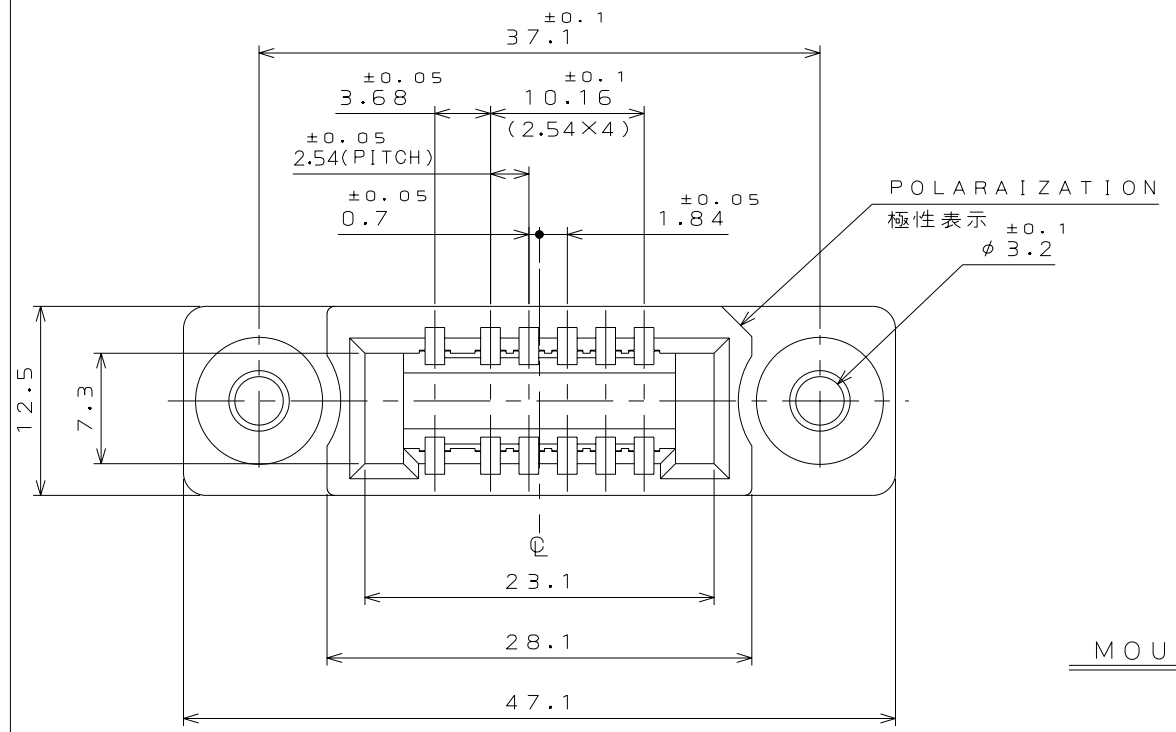
Address: A1208, Overseas Decoration Building, #122 Zhenhua RD., Futian, Shenzhen, China



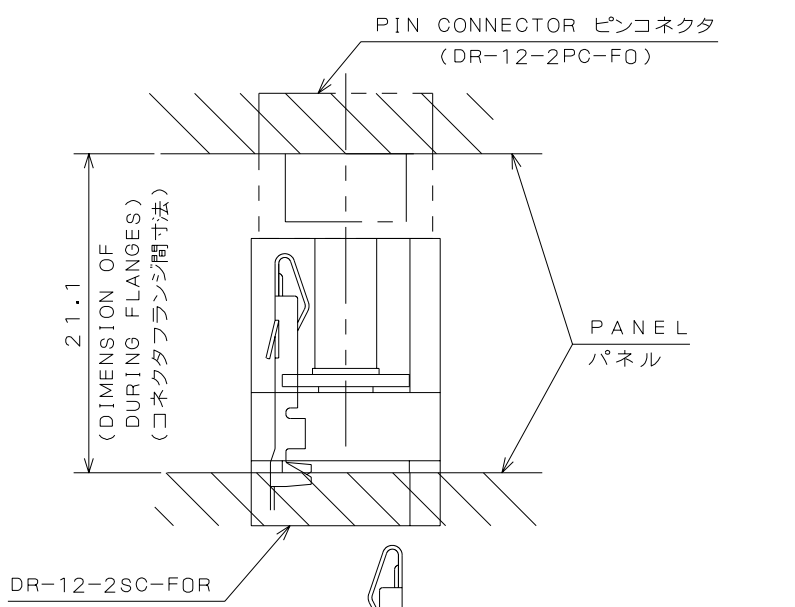
61ZE01PS
(ON ENVIROM) 台機理図

REFERENCE ONLY
JAE

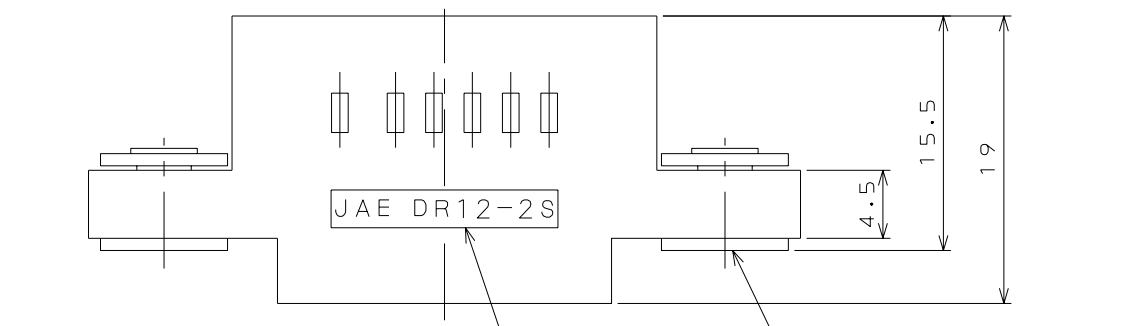
版数 REV.	年月日 DATE	DCN NO.	変更内容 DESCRIPTION	製図 DR.	担当 CHK.	査閲 APPD.	承認 APPD.



MOUNTING PANEL CUTOUT DIMENSIONS (REF.)
パネル取付穴寸法 (参考)

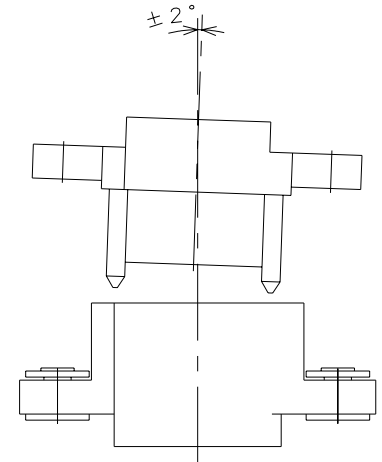
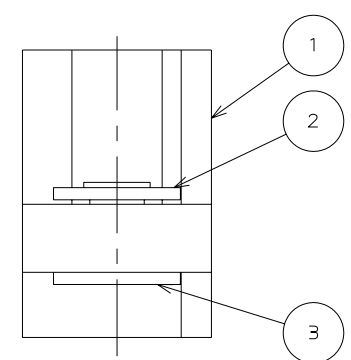


CONTACTS ARE ORDERED SEPARATELY
コンタクトは別売品です



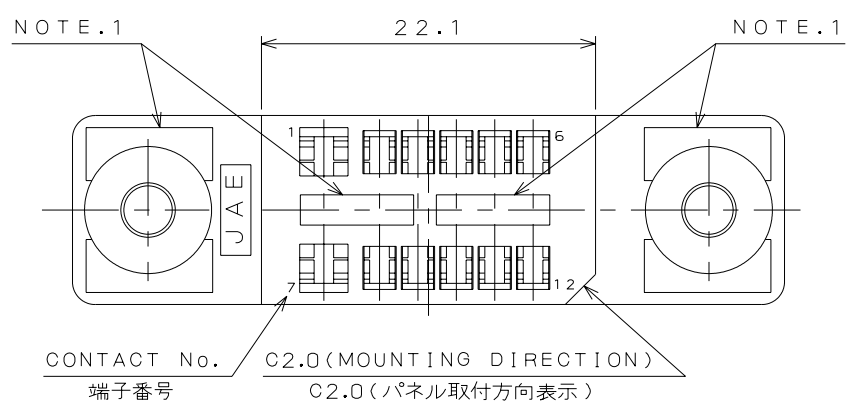
JAE AND PART No. MARKING
社標及び品名略称

FLOATING QUANTITY: ±1.0
フローティング量: ±1.0



ALLOWABLE MATING ANGLE
傾き嵌合許容角度

MATED CONDITION (REF.)
嵌合状態図 (参考)



NOTE.1 ADD SHAPES IMPROVING PRODUCTIVITY.
注1. 図示の位置にヒケ逃げを設ける。

符号 NO.	名称 DESCRIPTION	個数 QTY.	材料 MATERIAL	仕上 FINISH	備考 REMARKS
3	FLOATING RIVET	2	COPPER ALLOY	NICKEL PLATED	
2	WASHER	2	COPPER ALLOY	NICKEL PLATED	
1	INSULATOR	1	GLASS FILLED PBT	(COLOR: BLACK)	UL94V-0
仕様書 (SPECIFICATION) JACS-3063-1 T86-12		第1版 (ORIGINAL DATE) 5.Jul.2005		尺度 (SCALE) 2:1	シリーズ (SERIES) DR
一般公差 (GENERAL TOLERANCE)		製図 DR.		名称 (TITLE) DR-12-2SC-F0R	
寸法 (DIMENSION)		担当 CHK. Y.TAKAGI			
角度 (ANGLES)		査閲 APPD.			
. ±0.8 .X ±0.4 .XX ±0.1 .XXX ±		承認 APPD. Y.KUBOTA			
質量 (MASS)					

日本航空電子工業株式会社
JAPAN AVIATION
ELECTRONICS
INDUSTRY, LTD.

図面番号 (DRAWING NO.)
SJ103219

版数 (REV.)
1

DCF-C-212E(03.08)

