



Chipsmall Limited consists of a professional team with an average of over 10 year of expertise in the distribution of electronic components. Based in Hongkong, we have already established firm and mutual-benefit business relationships with customers from,Europe,America and south Asia,supplying obsolete and hard-to-find components to meet their specific needs.

With the principle of "Quality Parts,Customers Priority,Honest Operation,and Considerate Service",our business mainly focus on the distribution of electronic components. Line cards we deal with include Microchip,ALPS,ROHM,Xilinx,Pulse,ON,Everlight and Freescale. Main products comprise IC,Modules,Potentiometer,IC Socket,Relay,Connector.Our parts cover such applications as commercial,industrial, and automotives areas.

We are looking forward to setting up business relationship with you and hope to provide you with the best service and solution. Let us make a better world for our industry!



Contact us

Tel: +86-755-8981 8866 Fax: +86-755-8427 6832

Email & Skype: info@chipsmall.com Web: www.chipsmall.com

Address: A1208, Overseas Decoration Building, #122 Zhenhua RD., Futian, Shenzhen, China



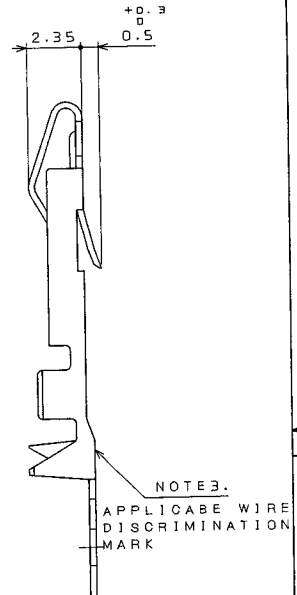
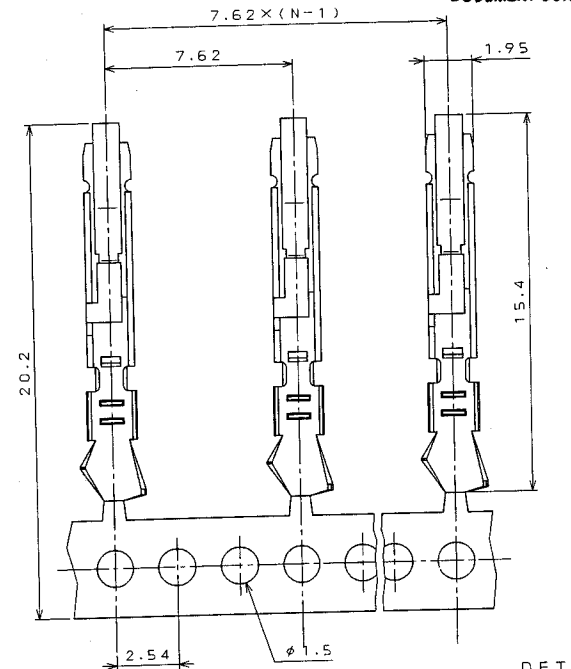
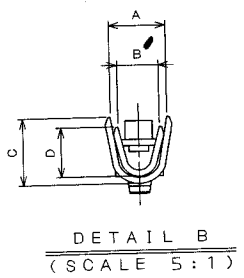
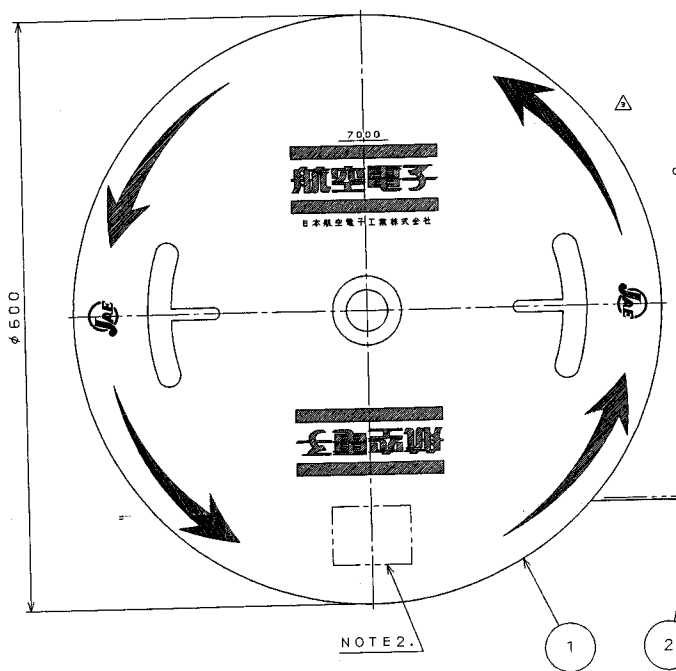
(DRAWING NO.)台架型図

3	28.Mar.2000	45804	CHANGED TO SI UNIT SYSTEM. REDRAWN	Y.SATOU	Y.KUBOTA	Y.HAYASHI
4	5.Apr.2000	45896	CORRECT AN ERROR	Y.SATOU	Y.KUBOTA	Y.HAYASHI

FILED
JUL 0 5 2000

REFERENCE ONLY
JAE

DOCUMENT CONTROL



NOTE 2.

DETAIL A
(SCALE 5:1)

PART NO.	A	B	C	D	APPLICABLE WIRE	INSULATION DIA.	DISCRIMINATION MARK
DR-SC24-1-7000	1.8	1.5	2.3	1.5	AWG#24~#28	φ 0.8~φ 1.5	24
DR-SC20-1-7000	2.3	1.7	2.7	2	AWG#20~#24	φ 1.2~φ 1.8	20

NOTE 1. CONTACTS ARE SUPPLIED IN REELED FROM, WITH 7000 CONTACTS PER REEL.
 2. MARK TRADE NAME AND NO. OF CONTACTS.
 3. APPLICABLE WIRE DIMETER IS SHOWN ON ABOVE TABLE.

注 1. 本品は7000本のリール状のものです。
 2. 図示の位置に、品名、数量等を記入したラベルが貼られます。
 3. 適用電線仕様は上記によります。

3	PIN CONTACT	7000	COPPER ALLOY	GOLD OVER NICKEL	MATING PORTION AU 0.1μm MIN. Δ
2	TAPE	1	PAPER		
1	MAGAZINE	1	PAPER		
符号 NO.	名称 DESCRIPTION	個数 QTY.	材料 MATERIAL	仕上 FINISH	備考 REMARKS
仕様書 (SPECIFICATION)		第1版 (ORIGINAL DATE)	尺庫 (SCALE)	シリーズ (SERIES)	日本航空電子工業株式会社 JAPAN AVIATION ELECTRONICS INDUSTRY, LTD. 図面番号 (DRAWING NO.) SJ021066
公差 (GENERAL TOLERANCE)		13.Jun.1986	名称 (TITLE)	DR-SC**1-7000	
寸法 (DIMENSION)	角度 (ANGLES)	製図 DR. KOMATSU			
. ± 3	° ±	担当 CHK. Y.TAKEUCHI			
.X ± 0.5	X° ±	審問 APPD. Y.NISHINO			
.XX ± 0.3	XX° ±	承認 APPD. T.KANEDA			
.XXX ±					重量 (WEIGHT)

本図面は日本航空電子工業(株)の所有する情報を含むもので当社の許可なく複製を禁止する。

DCF-C-2120(98.02)

CDS-1139
SIZE A3

版数 (REV.)
4