



Chipsmall Limited consists of a professional team with an average of over 10 year of expertise in the distribution of electronic components. Based in Hongkong, we have already established firm and mutual-benefit business relationships with customers from,Europe,America and south Asia,supplying obsolete and hard-to-find components to meet their specific needs.

With the principle of “Quality Parts,Customers Priority,Honest Operation,and Considerate Service”,our business mainly focus on the distribution of electronic components. Line cards we deal with include Microchip,ALPS,ROHM,Xilinx,Pulse,ON,Everlight and Freescale. Main products comprise IC,Modules,Potentiometer,IC Socket,Relay,Connector.Our parts cover such applications as commercial,industrial, and automotives areas.

We are looking forward to setting up business relationship with you and hope to provide you with the best service and solution. Let us make a better world for our industry!



Contact us

Tel: +86-755-8981 8866 Fax: +86-755-8427 6832

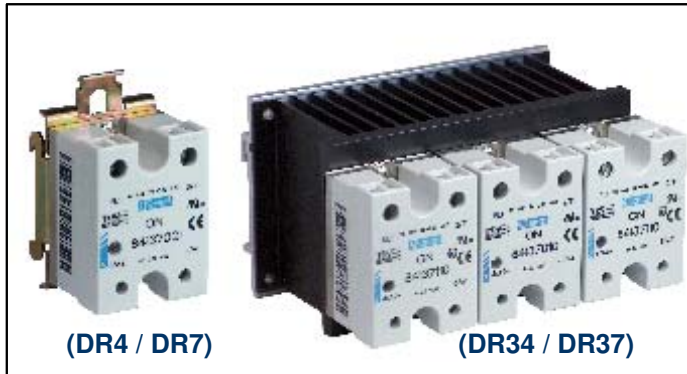
Email & Skype: info@chipsmall.com Web: www.chipsmall.com

Address: A1208, Overseas Decoration Building, #122 Zhenhua RD., Futian, Shenzhen, China



SOLID STATE RELAY ASSEMBLIES

- ▶ DIN Rail Mount SSR / Heat Sink Assemblies
- ▶ No Heat Sink Calculations Required
- ▶ Standard Ratings up to 45A @ 660Vac
- ▶ Built-In Transient Protection
- ▶ LED Input Status Indicator
- ▶ With or Without IP20 Touch-Safe Housing
- ▶ AC or DC Inputs
- ▶ 4000Vac Optical Isolation
- ▶ SSR's are UL / CSA / TuV Approved
- ▶ CE Certified & EMC Compliant
- ▶ Custom Versions Available upon Request



Part Numbers

Standard IP00 Housing

Assembly Part Number	Phases	Current Rating (per phase)		Line Voltage	Input Voltage	Typical Input Current
		@25°C	@40°C			
DR4110	Single	16A	14A	48-660Vac	4-32Vdc	10mA
DR4111	Single	16A	14A	48-660Vac	90-250Vac	8mA
DR454120.3	Single	26A	22A	48-660Vac	4-32Vdc	10mA
DR454121.3	Single	26A	22A	48-660Vac	90-250Vac	8mA
DR24120	Two	45A	38A	48-660Vac	4-32Vdc	10mA
DR24121	Two	45A	38A	48-660Vac	90-250Vac	8mA
DR34120	Three	30A	25A	48-660Vac	4-32Vdc	10mA
DR34121	Three	30A	25A	48-660Vac	90-250Vac	8mA

IP20 Touch-Safe Housing

DR7110	Single	16A	14A	48-660Vac	4-32Vdc	10mA
DR7111	Single	16A	14A	48-660Vac	90-250Vac	8mA
DR457120.3	Single	26A	22A	48-660Vac	4-32Vdc	10mA
DR457121.3	Single	26A	22A	48-660Vac	90-250Vac	8mA
DR27120	Two	45A	38A	48-660Vac	4-32Vdc	10mA
DR27121	Two	45A	38A	48-660Vac	90-250Vac	8mA
DR37120	Three	30A	25A	48-660Vac	4-32Vdc	10mA
DR37121	Three	30A	25A	48-660Vac	90-250Vac	8mA

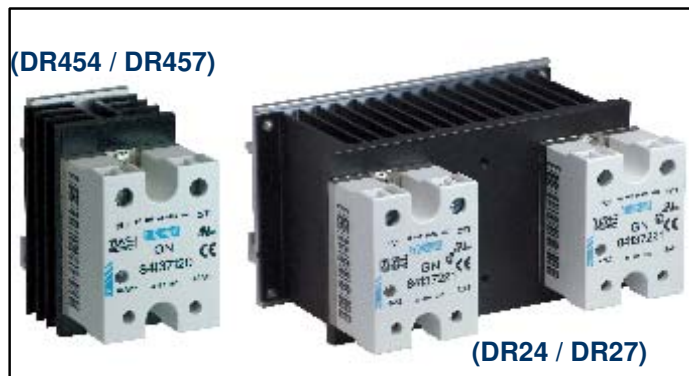
Safety & Noise Immunity Compliance

CE Compliant per the LVD 73/23/EEC
 UL508 / CSA C22.2 no. 14-M91
 TuV EN60950
 EN61000-4-2 - Level 3 (ESD)
 EN61000-4-3 - Level 3 (Radiated EMI)

EN61000-4-4 - Level 3 (EFT)
 EN61000-4-5 - Level 3 (Surge)
 EN61000-4-6 - Level 3 (Conducted EMI)
 CISPR11 - Class A (allowable levels of conducted & radiated emissions)

General Characteristics

Operating Temperature (°C)	-30 to 80
Storage Temperature (°C)	-40 to 100
Input-to-Output Isolation	4000Vrms
Input/Output-to-Ground Isolation	2500Vrms
Input-to-Output Capacitance	8pF (typical)
Operating Frequency	47 to 63Hz
Housing Material	UL94V-0



Products and specifications subject to change without notice

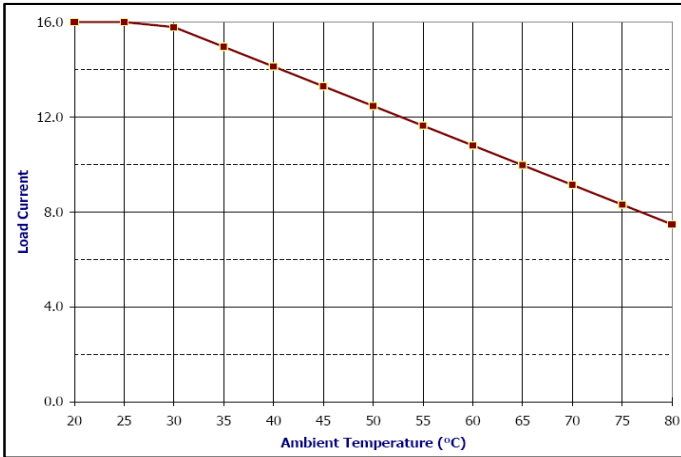
Consult factory for application assistance or custom assembly requests

204 Airline Drive, Suite 300, Coppell, Texas 75019 / Tel: (800) 677-5311 / FAX: (800) 677-3865 / www.crouzet-usa.com

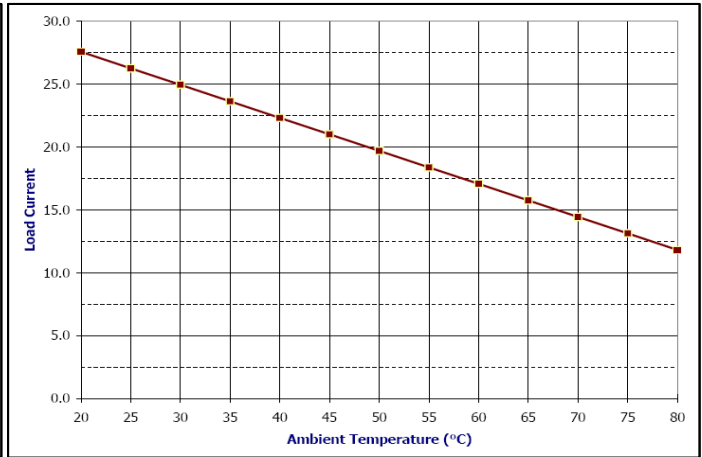
SOLID STATE RELAY ASSEMBLIES

Derate Curves & Dimensions

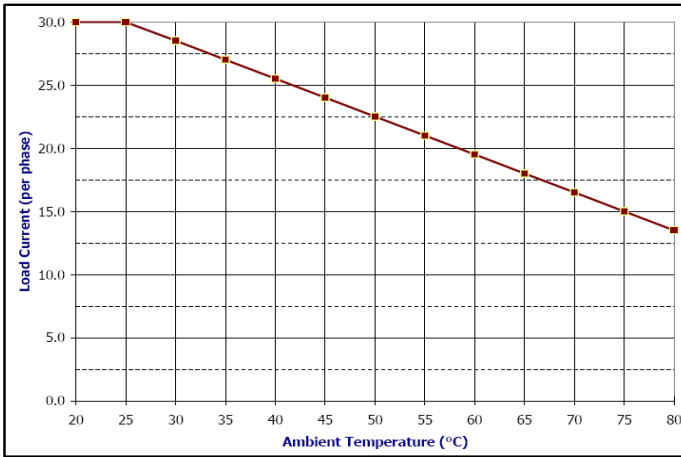
DR4xxx & DR7xxx Series



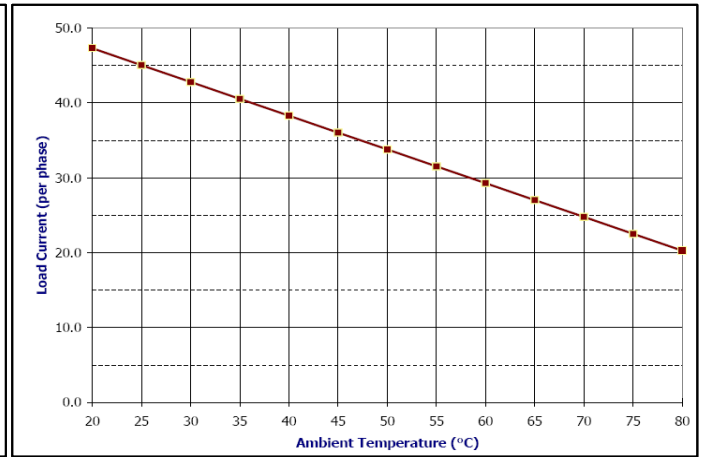
DR454xxx.3 & DR457xxx.3 Series



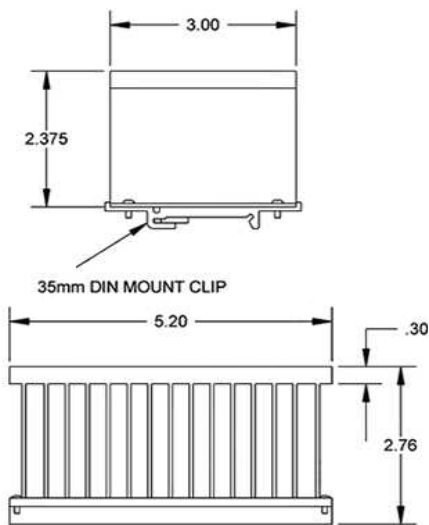
DR34xxx & DR37xxx Series (per phase)



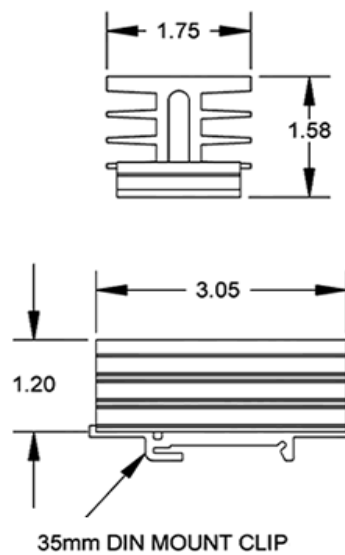
DR24xxx & DR27xxx Series (per phase)



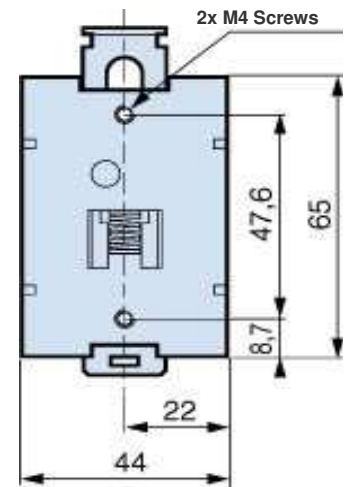
HS13 (DR2 & DR3 Assemblies)



HS8.3 (DR45.3 Assemblies)



**Bracket (DR4 & DR7 Assemblies)
(millimeters)**



Products and specifications subject to change without notice

Consult factory for application assistance or custom assembly requests