



Chipsmall Limited consists of a professional team with an average of over 10 year of expertise in the distribution of electronic components. Based in Hongkong, we have already established firm and mutual-benefit business relationships with customers from,Europe,America and south Asia,supplying obsolete and hard-to-find components to meet their specific needs.

With the principle of “Quality Parts,Customers Priority,Honest Operation,and Considerate Service”,our business mainly focus on the distribution of electronic components. Line cards we deal with include Microchip,ALPS,ROHM,Xilinx,Pulse,ON,Everlight and Freescale. Main products comprise IC,Modules,Potentiometer,IC Socket,Relay,Connector.Our parts cover such applications as commercial,industrial, and automotives areas.

We are looking forward to setting up business relationship with you and hope to provide you with the best service and solution. Let us make a better world for our industry!



## Contact us

Tel: +86-755-8981 8866 Fax: +86-755-8427 6832

Email & Skype: info@chipsmall.com Web: www.chipsmall.com

Address: A1208, Overseas Decoration Building, #122 Zhenhua RD., Futian, Shenzhen, China



# Class G

## Open fuse blocks



### Catalog symbols:

- BG\_ (1-30A)
- G\_ (35-60A)

### Description:

A range of open 1-, 2- and 3-pole fuse blocks for Class G fuses.

### Specifications:

#### Ratings

- Volts:
  - 600V (1-20A)
  - 480V (25-60A)
- Amps: 1 to 60A
- Withstand rating: 100kA RMS Sym

### Agency information

- 1-30A: UL® Recognized, UL 512, Guide IZLT2, File E14853
- 35-60A: UL Listed, UL 512, Guide IZLT, File E14853
- 1-60A CSA® Certified, C22.2 No. 39, Class 6225-01; File 47235
- RoHS compliant

### Recommended fuses:

- SC

### Material

#### Base:

- Thermoplastic (1-30A models)
- Phenolic (35-60A models)

#### Fuse clip:

- Bimetallic copper alloy (1-30A models)
- Plated copper (35-60A models)

### DIN-Rail adapters:

- DRA-1 and DRA-2



Powering Business Worldwide

Catalog numbers:

| Amps       | Poles | Terminal type             |                                    |  | Fig. No.              |
|------------|-------|---------------------------|------------------------------------|--|-----------------------|
|            |       | Screw with quick-connect* | Pressure plate with quick-connect* | Box lug  |                       |
| 1 to 15    | 1     | BG3011SQ                  | BG3011PQ                           | BG3011B  | 1                     |
|            | 2     | BG3012SQ                  | BG3012PQ                           | BG3012B  | 2                     |
|            | 3     | BG3013SQ                  | BG3013PQ                           | BG3013B  | 3                     |
| 20         | 1     | BG3021SQ                  | BG3021PQ                           | BG3021B  | 1                     |
|            | 2     | BG3022SQ                  | BG3022PQ                           | BG3022B  | 2                     |
|            | 3     | BG3023SQ                  | BG3023PQ                           | BG3023B  | 3                     |
| 25 to 30   | 1     | BG3031S                   | BG3031P                            | BG3031B  | 1                     |
|            | 2     | BG3032S                   | BG3032P                            | BG3032B  | 2                     |
|            | 3     | BG3033S                   | BG3033P                            | BG3033B  | 3                     |
| 35 to 60   | 1     | —                         | —                                  | —  | G30060-1CR            |
|            | 2     | —                         | —                                  | —  | G30060-2CR            |
|            | 3     | —                         | —                                  | G30060-3C**  | G30060-3CR            |
| Wire range |       | #10 - #14Cu               | #10 - #18Cu                        | #6 - #14Cu (1-30A)<br>#2 - #14Cu, #2 - #8Al (35-60A) | #2 - #14Cu, #2 - #8Al |

\* Quick connect rated for 20A maximum.

\*\* Not RoHS compliant.

Dimensions - in ( $\pm 0.015$ ):

1-30A

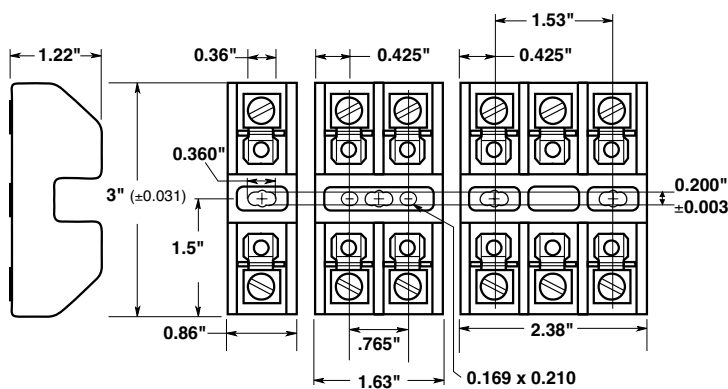


Figure 1. Figure 2. Figure 3.

35-60A

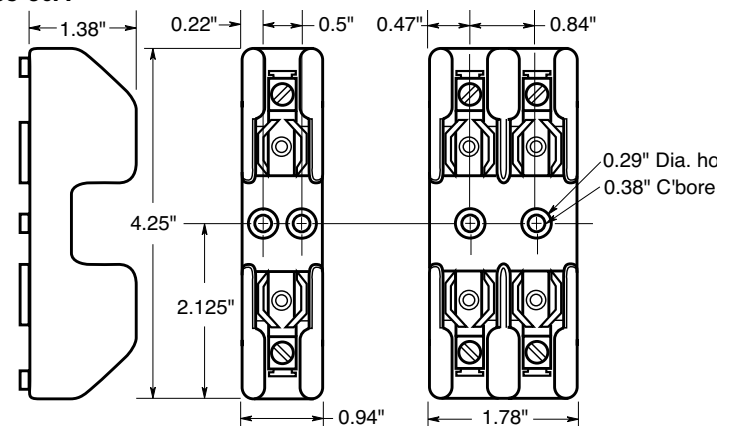


Figure 4. Figure 5.

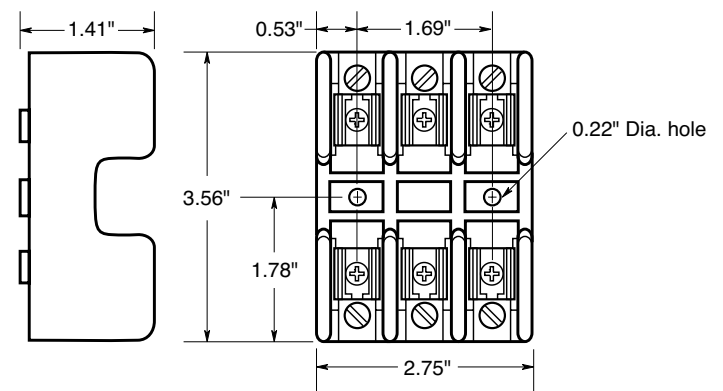


Figure 6.

The only controlled copy of this data sheet is the electronic read-only version located on the Eaton network drive. All other copies of this document are by definition uncontrolled. This bulletin is intended to clearly present comprehensive product data and provide technical information that will help the end user with design applications. Eaton reserves the right, without notice, to change design or construction of any products and to discontinue or limit distribution of any products. Eaton also reserves the right to change or update, without notice, any technical information contained in this bulletin. Once a product has been selected, it should be tested by the user in all possible applications.

**Eaton**  
1000 Eaton Boulevard  
Cleveland, OH 44122  
United States  
Eaton.com

Bussmann Division  
114 Old State Road  
Ellisville, MO 63021  
United States  
Eaton.com/bussmannseries

© 2015 Eaton  
All Rights Reserved  
Printed in USA  
Publication No. 1106 – BU-SB13774  
December 2015

Eaton and Bussmann are valuable trademarks of Eaton in the US and other countries. You are not permitted to use the Eaton trademarks without prior written consent of Eaton.

CSA is a registered trademark of the Canadian Standards Group.  
UL is a registered trademark of the Underwriters Laboratories, Inc.

For Eaton's Bussmann series product information, call **1-855-287-7626** or visit: **Eaton.com/bussmannseries**