



Chipsmall Limited consists of a professional team with an average of over 10 year of expertise in the distribution of electronic components. Based in Hongkong, we have already established firm and mutual-benefit business relationships with customers from,Europe,America and south Asia,supplying obsolete and hard-to-find components to meet their specific needs.

With the principle of “Quality Parts,Customers Priority,Honest Operation,and Considerate Service”,our business mainly focus on the distribution of electronic components. Line cards we deal with include Microchip,ALPS,ROHM,Xilinx,Pulse,ON,Everlight and Freescale. Main products comprise IC,Modules,Potentiometer,IC Socket,Relay,Connector.Our parts cover such applications as commercial,industrial, and automotives areas.

We are looking forward to setting up business relationship with you and hope to provide you with the best service and solution. Let us make a better world for our industry!



## Contact us

Tel: +86-755-8981 8866 Fax: +86-755-8427 6832

Email & Skype: info@chipsmall.com Web: www.chipsmall.com

Address: A1208, Overseas Decoration Building, #122 Zhenhua RD., Futian, Shenzhen, China



A

B

C

D

E

F

G

H

1

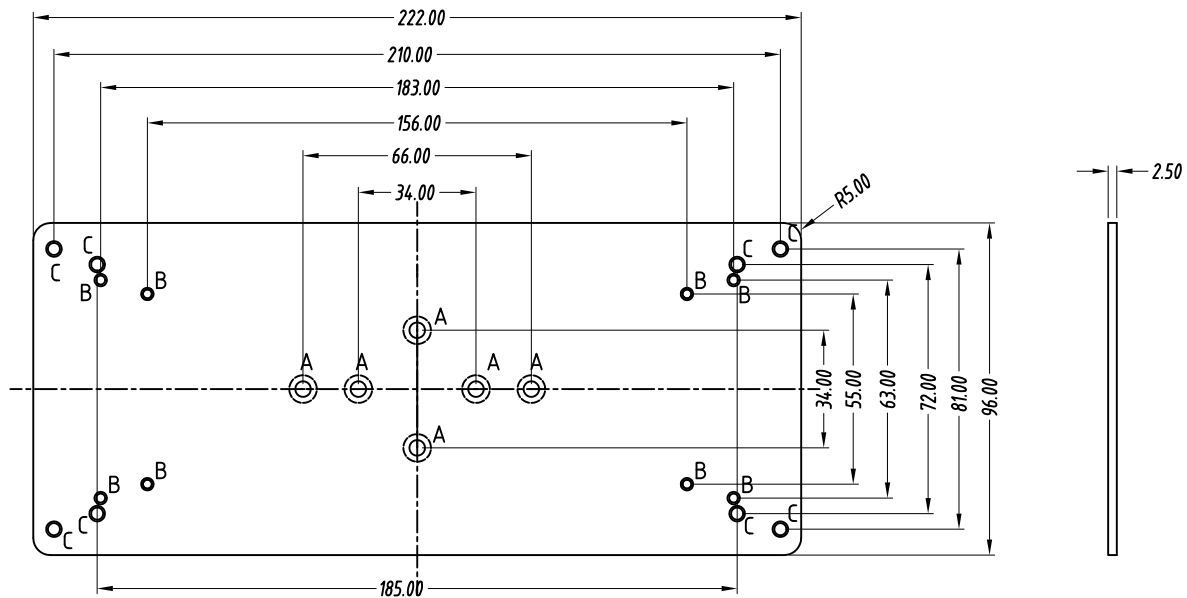
2

3

4

5

6



A表示 $\phi 4.5-\phi 8.5$ 沙拉孔向下  
 B表示M3攻牙0.5C  
 C表示M4攻牙0.5C



MATERIAL: AL 5052 材質: 鋁	DWG NAME: Mounting Accessories 圖號: 機構配件圖	ORDER NO.: DRP-01A 品號
FINISH: Degreasing Cleaning Fluid 處理: 脫脂洗清	THICKNESS: 2.0mm 厚度	DATE: 2013-11-19 日期
UNIT: mm 單位	TOL.: Angle: $\pm 1^\circ$ $< 6 \pm 0.1\text{mm}$ 30 to 120: $\pm 0.3\text{mm}$ 公差 6 to 30: $\pm 0.2\text{mm}$ 120 to 315: $\pm 0.5\text{mm}$	REV. R0 版本