



Chipsmall Limited consists of a professional team with an average of over 10 year of expertise in the distribution of electronic components. Based in Hongkong, we have already established firm and mutual-benefit business relationships with customers from,Europe,America and south Asia,supplying obsolete and hard-to-find components to meet their specific needs.

With the principle of “Quality Parts,Customers Priority,Honest Operation,and Considerate Service”,our business mainly focus on the distribution of electronic components. Line cards we deal with include Microchip,ALPS,ROHM,Xilinx,Pulse,ON,Everlight and Freescale. Main products comprise IC,Modules,Potentiometer,IC Socket,Relay,Connector.Our parts cover such applications as commercial,industrial, and automotives areas.

We are looking forward to setting up business relationship with you and hope to provide you with the best service and solution. Let us make a better world for our industry!



Contact us

Tel: +86-755-8981 8866 Fax: +86-755-8427 6832

Email & Skype: info@chipsmall.com Web: www.chipsmall.com

Address: A1208, Overseas Decoration Building, #122 Zhenhua RD., Futian, Shenzhen, China



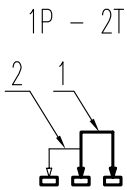
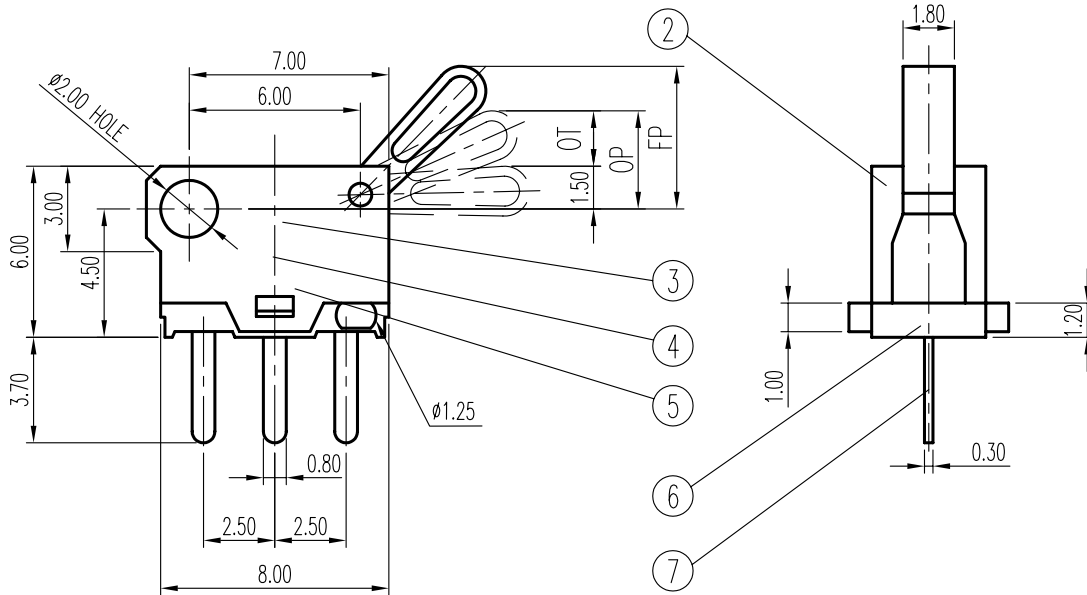
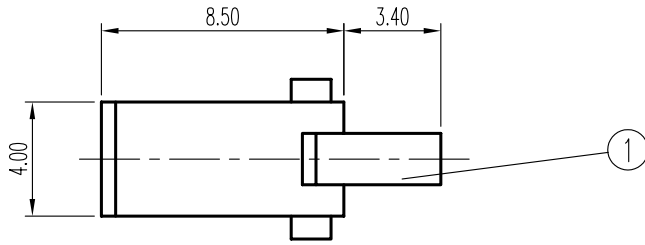
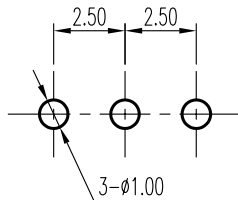


示意图 SCHEMATIC



安装孔 PIERCING PLAN

规格 Specifications

额定负荷 Ratings	DC 30 V 100mA
初始接触电阻 Initial Contact Resistance	200 mΩ Max.
绝缘电阻 Insulation Resistance	DC250 V.60 Sec.10 MΩ Min.
抗电强度 Dielectric Voltage	AC 250 V(50~60HZ) 60 Sec.
操作力 Operation Force(gf)	30±20 gf
自由位置 Free Position	5.20mm Max
动作位置 Operation Position	3.20±0.40mm
超行程 Over Travel	2.00±0.40mm
负荷寿命 Operation Life With Load	20,000 Cycles

7	端子	TERMINAL	C2680R (b)	3	Ag PLATED	A03	零件材料标示变更见 (b)	曹文斌	2006-03-20
6	胶壳	HOUSING	PA46 (b)	1	BLACK C		机械寿命变更为负荷寿命见 (b)		
5	弹簧	SPRING (b)	SUS	1	NATURAL		追加零件标示见 (b)		
4	接触片	CONTACT CLIP (b)	C5210R	1	Ag CLAD	A02	PA 1300G011 变更为 PA46 TE250F6-BK 见 (c)	曹文斌	2006-01-21
3	滑块	SLIDER (b)	PBT	1	BLACK C		3.30 变更为 3.70 见 (c)		
2	胶盖	COVER	PA46 (b)	1	BLACK C	A01		曹文斌	2005-12-30
1	胶柄	KNOB	POM (b)	1	BLACK C	标号 REV	内容 DESCRIPTION	签名 SIGN.	日期 DATE
序 NO.	零件 PART	材料 MATERIAL	数量 QTY	备注 REMARKS	DWG NO. ITEM2383				

TOLERANCES UNLESS OTHERWISE SPEC.		TITLE	DETECTOR SWITCH		ITEM NO	DS-080-C PA			
UNDER 1	± 0.10	DRAWN	曹文斌	2006-03-20	VERSION	A03	PAGE	1	OF 1
1 - 10	± 0.30	REVIEWED	张念明	2006-03-20	SCALE	NO SCALE	UNIT	mm	
OVER 10	± 0.50	APPROVED	林高全	2006-03-21	PROJECTION				

COMAX ELECTRONICS (HUIZHOU) CO.,LTD.