



Chipsmall Limited consists of a professional team with an average of over 10 year of expertise in the distribution of electronic components. Based in Hongkong, we have already established firm and mutual-benefit business relationships with customers from,Europe,America and south Asia,supplying obsolete and hard-to-find components to meet their specific needs.

With the principle of “Quality Parts,Customers Priority,Honest Operation,and Considerate Service”,our business mainly focus on the distribution of electronic components. Line cards we deal with include Microchip,ALPS,ROHM,Xilinx,Pulse,ON,Everlight and Freescale. Main products comprise IC,Modules,Potentiometer,IC Socket,Relay,Connector.Our parts cover such applications as commercial,industrial, and automotives areas.

We are looking forward to setting up business relationship with you and hope to provide you with the best service and solution. Let us make a better world for our industry!



## Contact us

Tel: +86-755-8981 8866 Fax: +86-755-8427 6832

Email & Skype: info@chipsmall.com Web: www.chipsmall.com

Address: A1208, Overseas Decoration Building, #122 Zhenhua RD., Futian, Shenzhen, China



**FEATURES**

- 10-Year Minimum Data Retention in the Absence of External Power
- Data is Automatically Protected During a Power Loss
- Separate Upper Byte and Lower Byte Chip-Select Inputs
- Unlimited Write Cycles
- Low-Power CMOS
- Read and Write Access Times as Fast as 70ns
- Lithium Energy Source is Electrically Disconnected to Retain Freshness Until Power is Applied for the First Time
- Full ±10% Operating Range (DS1258Y)
- Optional ±5% Operating Range (DS1258AB)
- Optional Industrial Temperature Range of -40°C to +85°C, Designated IND

**PIN ASSIGNMENT**

$\overline{CEU}$	1	40	$V_{CC}$
$\overline{CEL}$	2	39	$\overline{WE}$
DQ15	3	38	A16
DQ14	4	37	A15
DQ13	5	36	A14
DQ12	6	35	A13
DQ11	7	34	A12
DQ10	8	33	A11
DQ9	9	32	A10
DQ8	10	31	A9
GND	11	30	GND
DQ7	12	29	A8
DQ6	13	28	A7
DQ5	14	27	A6
DQ4	15	26	A5
DQ3	16	25	A4
DQ2	17	24	A3
DQ1	18	23	A2
DQ0	19	22	A1
$\overline{OE}$	20	21	A0

40-Pin Encapsulated Package  
740mil Extended

**PIN DESCRIPTION**

- |                  |                          |
|------------------|--------------------------|
| A0 to A16        | - Address Inputs         |
| DQ0 to DQ15      | - Data In/Data Out       |
| $\overline{CEU}$ | - Chip Enable Upper Byte |
| $\overline{CEL}$ | - Chip Enable Lower Byte |
| $\overline{WE}$  | - Write Enable           |
| $\overline{OE}$  | - Output Enable          |
| $V_{CC}$         | - Power (+5V)            |
| GND              | - Ground                 |

**DESCRIPTION**

The DS1258 128k x 16 nonvolatile (NV) SRAMs are 2,097,152-bit fully static, NV SRAMs, organized as 131,072 words by 16 bits. Each NV SRAM has a self-contained lithium energy source and control circuitry that constantly monitors  $V_{CC}$  for an out-of-tolerance condition. When such a condition occurs, the lithium energy source is automatically switched on and write protection is unconditionally enabled to prevent data corruption. DIP-package DS1258 devices can be used in place of solutions that build NV 128k x 16 memory by utilizing a variety of discrete components. There is no limit on the number of write cycles that can be executed and no additional support circuitry is required for microprocessor interfacing.

## READ MODE

The DS1258 devices execute a read cycle whenever  $\overline{WE}$  (Write Enable) is inactive (high) and either/both of  $\overline{CEU}$  or  $\overline{CEL}$  (Chip Enables) are active (low) and  $\overline{OE}$  (Output Enable) is active (low). The unique address specified by the 17 address inputs (A0-A16) defines which of the 131,072 words of data is accessed. The status of  $\overline{CEU}$  and  $\overline{CEL}$  determines whether all or part of the addressed word is accessed. If  $\overline{CEU}$  is active with  $\overline{CEL}$  inactive, then only the upper byte of the addressed word is accessed. If  $\overline{CEU}$  is inactive with  $\overline{CEL}$  active, then only the lower byte of the addressed word is accessed. If both the  $\overline{CEU}$  and  $\overline{CEL}$  inputs are active (low), then the entire 16-bit word is accessed. Valid data will be available to the 16 data output drivers within  $t_{ACC}$  (Access Time) after the last address input signal is stable, providing that  $\overline{CEU}$ ,  $\overline{CEL}$  and  $\overline{OE}$  access times are also satisfied. If  $\overline{CEU}$ ,  $\overline{CEL}$ , and  $\overline{OE}$  access times are not satisfied, then data access must be measured from the later occurring signal, and the limiting parameter is either  $t_{CO}$  for  $\overline{CEU}$ ,  $\overline{CEL}$ , or  $t_{OE}$  for  $\overline{OE}$  rather than address access.

## WRITE MODE

The DS1258 devices execute a write cycle whenever  $\overline{WE}$  and either/both of  $\overline{CEU}$  or  $\overline{CEL}$  are active (low) after address inputs are stable. The unique address specified by the 17 address inputs (A0-A16) defines which of the 131,072 words of data is accessed. The status of  $\overline{CEU}$  and  $\overline{CEL}$  determines whether all or part of the addressed word is accessed. If  $\overline{CEU}$  is active with  $\overline{CEL}$  inactive, then only the upper byte of the addressed word is accessed. If  $\overline{CEU}$  is inactive with  $\overline{CEL}$  active, then only the lower byte of the addressed word is accessed. If both the  $\overline{CEU}$  and  $\overline{CEL}$  inputs are active (low), then the entire 16-bit word is accessed. The write cycle is terminated by the earlier rising edge of  $\overline{CEU}$  and/or  $\overline{CEL}$ , or  $\overline{WE}$ . All address inputs must be kept valid throughout the write cycle.  $\overline{WE}$  must return to the high state for a minimum recovery time ( $t_{WR}$ ) before another cycle can be initiated. The  $\overline{OE}$  control signal should be kept inactive (high) during write cycles to avoid bus contention. However, if the output drivers are enabled ( $\overline{CEU}$  and/or  $\overline{CEL}$ , and  $\overline{OE}$  active) then  $\overline{WE}$  will disable the outputs in  $t_{ODW}$  from its falling edge.

**READ/WRITE FUNCTION Table 1**

$\overline{OE}$	$\overline{WE}$	$\overline{CEL}$	$\overline{CEU}$	$V_{CC}$ CURRENT	DQ0-DQ7	DQ8-DQ15	CYCLE PERFORMED
H	H	X	X	$I_{CCO}$	High-Z	High-Z	Output Disabled
L	H	L	L	$I_{CCO}$	Output	Output	Read Cycle
L	H	L	H		Output	High-Z	
L	H	H	L		High-Z	Output	
X	L	L	L	$I_{CCO}$	Input	Input	Write Cycle
X	L	L	H		Input	High-Z	
X	L	H	L		High-Z	Input	
X	X	H	H	$I_{CCS}$	High-Z	High-Z	Output Disabled

## DATA RETENTION MODE

The DS1258AB provides full functional capability for  $V_{CC}$  greater than 4.75V, and write protects by 4.5V. The DS1258Y provides full functional capability for  $V_{CC}$  greater than 4.5V and write protects by 4.25V. Data is maintained in the absence of  $V_{CC}$  without any additional support circuitry. The NV static RAMs constantly monitor  $V_{CC}$ . Should the supply voltage decay, the NV SRAMs automatically write protect themselves, all inputs become “don’t care,” and all outputs become high impedance. As  $V_{CC}$  falls below approximately 3.0V, a power switching circuit connects the lithium energy source to RAM to

retain data. During power-up, when  $V_{CC}$  rises above approximately 3.0V, the power switching circuit connects external  $V_{CC}$  to RAM and disconnects the lithium energy source. Normal RAM operation can resume after  $V_{CC}$  exceeds 4.75V for the DS1258AB and 4.5V for the DS1258Y.

## FRESHNESS SEAL

The DS1258 devices are shipped from Dallas Semiconductor with the lithium energy sources disconnected, guaranteeing full energy capacity. When  $V_{CC}$  is first applied at a level greater than  $V_{TP}$ , the lithium energy source is enabled for battery backup operation.

## ABSOLUTE MAXIMUM RATINGS\*

Voltage on Any Pin Relative to Ground	-0.3V to +6.0V
Operating Temperature Range	0°C to +70°C, -40°C to +85°C for Industrial Parts
Storage Temperature Range	-40°C to +70°C, -40°C to +85°C for Industrial Parts
Soldering Temperature	+260°C for 10 seconds
Caution: Do Not Reflow	(Wave or Hand Solder Only)

\* This is a stress rating only and functional operation of the device at these or any other conditions above those indicated in the operation sections of this specification is not implied. Exposure to absolute maximum rating conditions for extended periods of time may affect reliability.

## RECOMMENDED DC OPERATING CONDITIONS

( $t_A$ : See Note 10)

PARAMETER	SYMBOL	MIN	TYP	MAX	UNITS	NOTES
DS1258AB Power Supply Voltage	$V_{CC}$	4.75	5.0	5.25	V	
DS1258Y Power Supply Voltage	$V_{CC}$	4.5	5.0	5.5	V	
Logic 1	$V_{IH}$	2.2		$V_{CC}$	V	
Logic 0	$V_{IL}$	0.0		+0.8	V	

## DC ELECTRICAL

( $V_{CC} = 5V \pm 5\%$  for DS1258AB)

## CHARACTERISTICS

( $t_A$ : See Note 10) ( $V_{CC} = 5V \pm 10\%$  for DS1258Y)

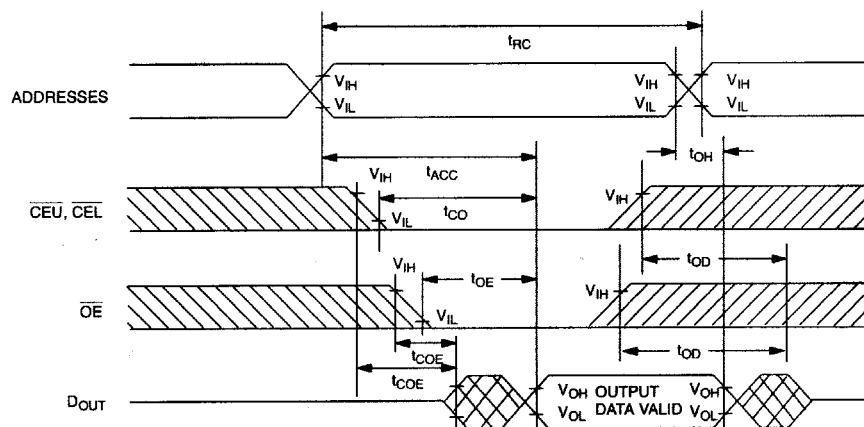
PARAMETER	SYMBOL	MIN	TYP	MAX	UNITS	NOTES
Input Leakage Current	$I_{IL}$	-2.0		+2.0	$\mu A$	
I/O Leakage Current $\overline{CEU} = \overline{CEL} \geq V_{IH}$ $\leq V_{CC}$	$I_{IO}$	-1.0		+1.0	$\mu A$	
Output Current @ 2.4V	$I_{OH}$	-1.0			mA	
Output Current @ 0.4V	$I_{OL}$	2.0			mA	
Standby Current $\overline{CEU}$ , $\overline{CEL} = 2.2V$	$I_{CCS1}$		0.7	1.5	mA	
Standby Current $\overline{CEU}$ , $\overline{CEL} = V_{CC} - 0.5V$	$I_{CCS2}$		150	300	$\mu A$	
Operating Current	$I_{CCO1}$			170	mA	
Write Protection Voltage (DS1258AB)	$V_{TP}$	4.50	4.62	4.75	V	
Write Protection Voltage (DS1258Y)	$V_{TP}$	4.25	4.37	4.5	V	

**CAPACITANCE** $(t_A = +25^\circ\text{C})$ 

PARAMETER	SYMBOL	MIN	TYP	MAX	UNITS	NOTES
Input Capacitance	$C_{IN}$		20	25	pF	
Input/Output Capacitance	$C_{I/O}$		5	10	pF	

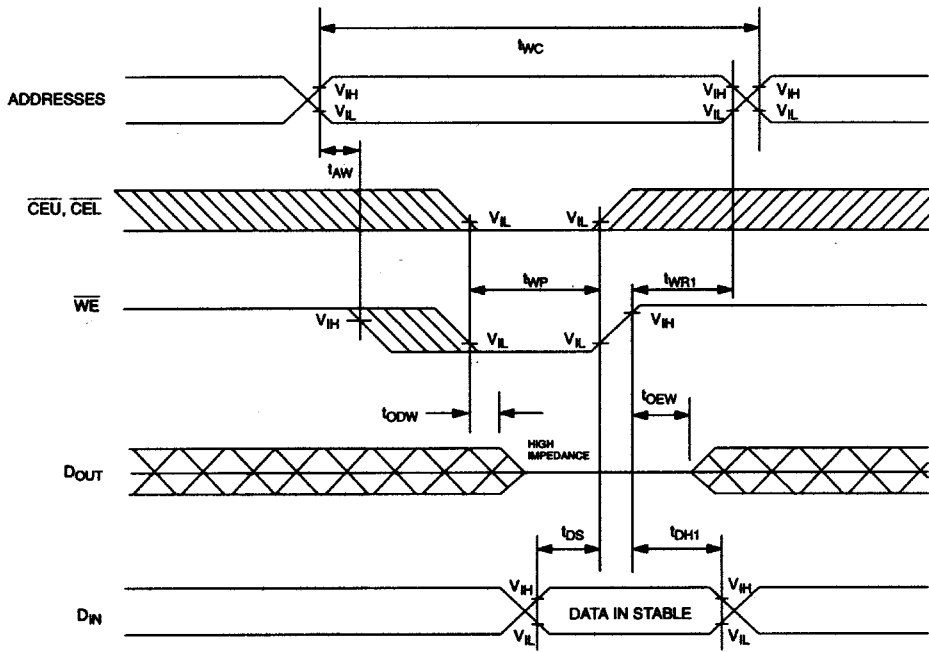
**AC ELECTRICAL CHARACTERISTICS** $(V_{CC} = 5V \pm 5\%$  for DS1258AB) $(t_A: \text{See Note 10}) (V_{CC} = 5V \pm 10\%$  for DS1258Y)

PARAMETER	SYMBOL	DS1258AB-70 DS1258Y-70		DS1258AB-100 DS1258Y-100		UNITS	NOTES
		MIN	MAX	MIN	MAX		
Read Cycle Time	$t_{RC}$	70		100		ns	
Access Time	$t_{ACC}$		70		100	ns	
$\overline{OE}$ to Output Valid	$t_{OE}$		35		50	ns	
$\overline{CEU}$ or $\overline{CEL}$ to Output Valid	$t_{CO}$		70		100	ns	
$\overline{OE}$ or $\overline{CEU}$ or $\overline{CEL}$ to Output Valid	$t_{COE}$	5		5		ns	5
Output High Z from Deselection	$t_{OD}$		25		35	ns	5
Output Hold from Address Change	$t_{OH}$	5		5		ns	
Write Cycle Time	$t_{WC}$	70		100		ns	
Write Pulse Width	$t_{WP}$	55		75		ns	3
Address Setup Time	$t_{AW}$	0		0		ns	
Write Recovery Time	$t_{WR1}$ $t_{WR2}$	5 15		5 15		ns ns	12 13
Output High Z from $\overline{WE}$	$t_{ODW}$		25		35	ns	5
Output Active from $\overline{WE}$	$t_{OEW}$	5		5		ns	5
Data Setup Time	$t_{DS}$	30		40		ns	4
Data Hold Time	$t_{DH1}$ $t_{DH2}$	0 10		0 10		ns ns	12 13

**READ CYCLE**

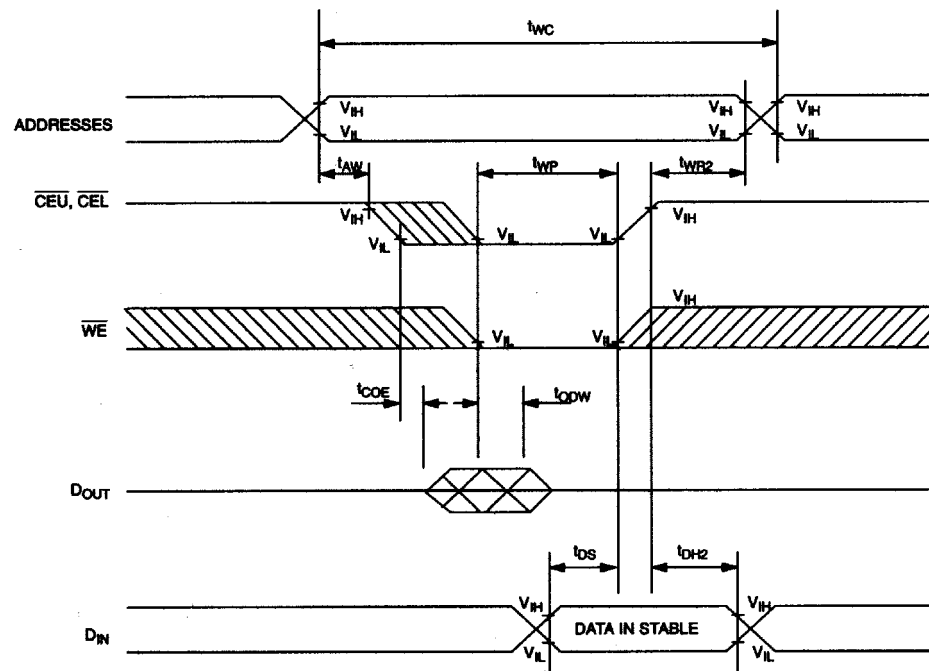
SEE NOTE 1

## WRITE CYCLE 1



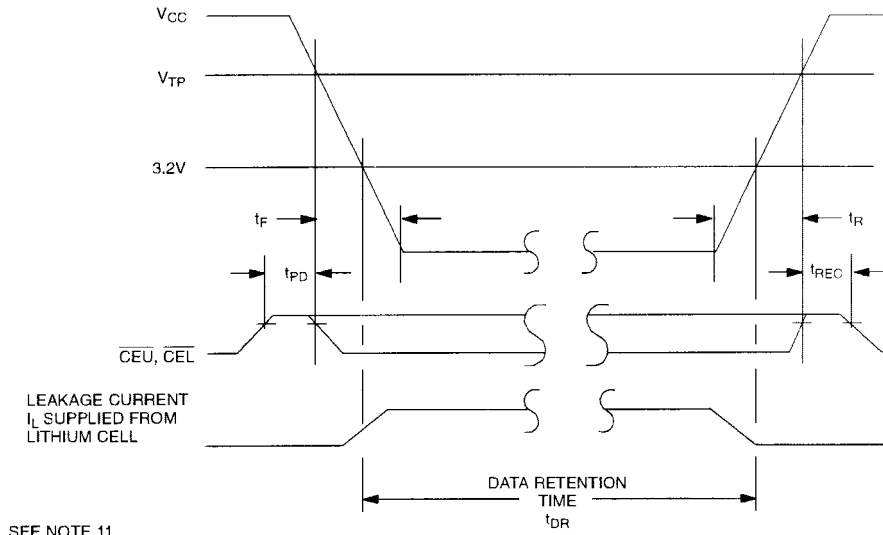
SEE NOTE 2, 3, 4, 6, 7, 8 AND 12

## WRITE CYCLE 2



SEE NOTES 2, 3, 4, 6, 7 AND 13

## POWER-DOWN/POWER-UP CONDITION



## POWER-DOWN/POWER-UP TIMING

( $t_A$ : See Note 10)

PARAMETER	SYMBOL	MIN	TYP	MAX	UNITS	NOTES
$\overline{CEU}$ , $\overline{CEL}$ at $V_{IH}$ before Power-Down	$t_{PD}$	0			$\mu s$	11
$V_{CC}$ slew from $V_{TP}$ to 0V	$t_F$	300			$\mu s$	
$V_{CC}$ slew from 0V to $V_{TP}$	$t_R$	300			$\mu s$	
$\overline{CEU}$ , $\overline{CEL}$ at $V_{IH}$ after Power-Up	$t_{REC}$	2		125	ms	

( $t_A = +25^\circ C$ )

PARAMETER	SYMBOL	MIN	TYP	MAX	UNITS	NOTES
Expected Data Retention Time	$t_{DR}$	10			years	9

## WARNING:

Under no circumstance are negative undershoots, of any amplitude, allowed when device is in battery backup mode.

## NOTES:

- $\overline{WE}$  is high for a Read Cycle.
- $\overline{OE} = V_{IH}$  or  $V_{IL}$ . If  $\overline{OE} = V_{IH}$  during write cycle, the output buffers remain in a high impedance state.
- $t_{WP}$  is specified as the logical AND of  $\overline{CEU}$  or  $\overline{CEL}$  and  $\overline{WE}$ .  $t_{WP}$  is measured from the latter of  $\overline{CEU}$ ,  $\overline{CEL}$  or  $\overline{WE}$  going low to the earlier of  $\overline{CEU}$ ,  $\overline{CEL}$  or  $\overline{WE}$  going high.
- $t_{DS}$  is measured from the earlier of  $\overline{CEU}$  or  $\overline{CEL}$  or  $\overline{WE}$  going high.
- These parameters are sampled with a 5pF load and are not 100% tested.
- If the  $\overline{CEU}$  or  $\overline{CEL}$  low transition occurs simultaneously with or later than the  $\overline{WE}$  low transition in the output buffers remain in a high impedance state during this period.
- If the  $\overline{CEU}$  or  $\overline{CEL}$  high transition occurs prior to or simultaneously with the  $\overline{WE}$  high transition, the output buffers remain in high impedance state during this period.

- 8) If  $\overline{WE}$  is low or the  $\overline{WE}$  low transition occurs prior to or simultaneously with the  $\overline{CEU}$  or  $\overline{CEL}$  low transition, the output buffers remain in a high impedance state during this period.
- 9) Each DS1258 has a built-in switch that disconnects the lithium source until the user first applies  $V_{CC}$ . The expected  $t_{DR}$  is defined as accumulative time in the absence of  $V_{CC}$  starting from the time power is first applied by the user. This parameter is assured by component selection, process control, and design. It is not measured directly during production testing.
- 10) All AC and DC electrical characteristics are valid over the full operating temperature range. For commercial products, this range is 0°C to +70°C. For industrial products, this range is -40°C to +85°C.
- 11) In a power-down condition the voltage on any pin may not exceed the voltage on  $V_{CC}$ .
- 12)  $t_{WR1}$ ,  $t_{DH1}$  are measured from  $\overline{WE}$  going high.
- 13)  $t_{WR2}$ ,  $t_{DH2}$  are measured from  $\overline{CEU}$  OR  $\overline{CEL}$  going high.
- 14) DS1258 DIP modules are recognized by Underwriters Laboratory (U.L.<sup>®</sup>) under file E99151.

## DC TEST CONDITIONS

Outputs Open

Cycle = 200ns

All voltages are referenced to ground

## AC TEST CONDITIONS

Output Load: 100 pF + 1TTL Gate

Input Pulse Levels:

0.0V to 3.0V

Timing Measurement Reference Levels

Input: 1.5V

Output: 1.5V

Input pulse Rise and Fall Times: 5ns

## ORDERING INFORMATION

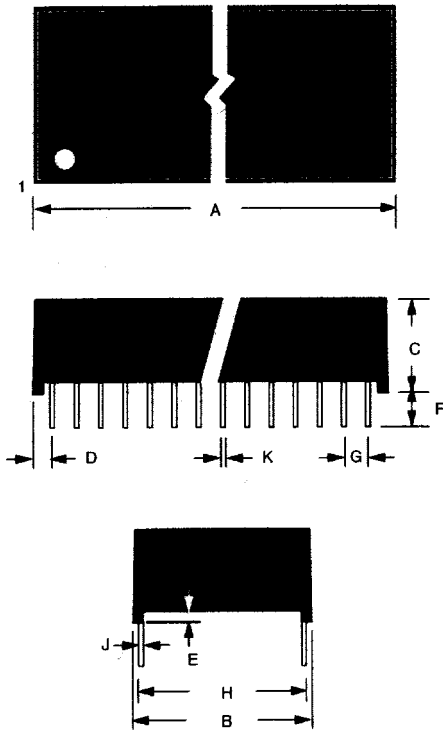
Part Number	Temperature Range	Supply Tolerance	Pin/Package	Speed Grade
DS1258AB-70	0°C to +70°C	5V ± 5%	40 / 740 EMOD	70ns
DS1258AB-70#	0°C to +70°C	5V ± 5%	40 / 740 EMOD	70ns
DS1258AB-70IND	-40°C to +85°C	5V ± 5%	40 / 740 EMOD	70ns
DS1258AB-70IND#	-40°C to +85°C	5V ± 5%	40 / 740 EMOD	70ns
DS1258AB-100	0°C to +70°C	5V ± 5%	40 / 740 EMOD	100ns
DS1258AB-100#	0°C to +70°C	5V ± 5%	40 / 740 EMOD	100ns
DS1258Y-70	0°C to +70°C	5V ± 10%	40 / 740 EMOD	70ns
DS1258Y-70#	0°C to +70°C	5V ± 10%	40 / 740 EMOD	70ns
DS1258Y-70IND	-40°C to +85°C	5V ± 10%	40 / 740 EMOD	70ns
DS1258Y-70IND#	-40°C to +85°C	5V ± 10%	40 / 740 EMOD	70ns
DS1258Y-100	0°C to +70°C	5V ± 10%	40 / 740 EMOD	100ns
DS1258Y-100#	0°C to +70°C	5V ± 10%	40 / 740 EMOD	100ns

# Denotes RoHS-compliant product.

\* DS9034PC or DS9034PCI (PowerCap) required. Must be ordered separately.



## DS1258Y/AB NONVOLATILE SRAM 40-PIN, 740-MIL EXTENDED MODULE



PKG	40-PIN	
DIM	MIN	MAX
A IN.	2.080	2.100
MM	52.83	53.34
B IN.	0.715	0.740
MM	18.16	18.80
C IN.	0.345	0.365
MM	8.76	9.27
D IN.	0.085	0.115
MM	2.16	2.92
E IN.	0.015	0.030
MM	0.38	0.76
F IN.	0.120	0.160
MM	3.05	4.06
G IN.	0.090	0.110
MM	2.29	2.79
H IN.	0.590	0.630
MM	14.99	16.00
J IN.	0.008	0.012
MM	0.20	0.30
K IN.	0.015	0.025
MM	0.43	0.58