



Chipsmall Limited consists of a professional team with an average of over 10 year of expertise in the distribution of electronic components. Based in Hongkong, we have already established firm and mutual-benefit business relationships with customers from,Europe,America and south Asia,supplying obsolete and hard-to-find components to meet their specific needs.

With the principle of “Quality Parts,Customers Priority,Honest Operation,and Considerate Service”,our business mainly focus on the distribution of electronic components. Line cards we deal with include Microchip,ALPS,ROHM,Xilinx,Pulse,ON,Everlight and Freescale. Main products comprise IC,Modules,Potentiometer,IC Socket,Relay,Connector.Our parts cover such applications as commercial,industrial, and automotives areas.

We are looking forward to setting up business relationship with you and hope to provide you with the best service and solution. Let us make a better world for our industry!



## Contact us

Tel: +86-755-8981 8866 Fax: +86-755-8427 6832

Email & Skype: info@chipsmall.com Web: www.chipsmall.com

Address: A1208, Overseas Decoration Building, #122 Zhenhua RD., Futian, Shenzhen, China



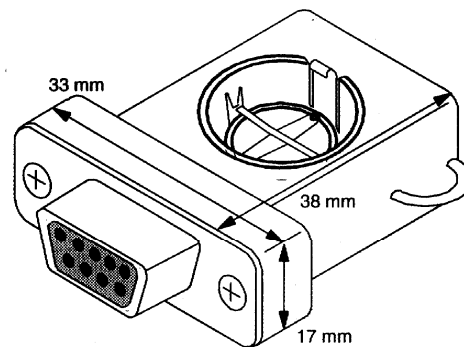


# DS1413 Passive Serial Port iButton<sup>®</sup> Holder

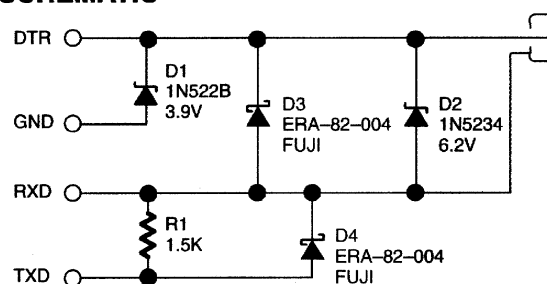
[www.maxim-ic.com](http://www.maxim-ic.com)

## FEATURES

- Small size, low-cost interface to an RS232C COM Port for reading and writing iButton<sup>®</sup> devices
- Supports reading all and writing non-EPROM iButton devices at regular speed
- Powered entirely from an RS232 interface
- Standard DB female connector for mating to the COM Port of a computer with a DS9098 iButton Retainer for a single iButton or MicroLAN Cable (DS1402x)



## SCHEMATIC



## ORDERING INFORMATION

DS1413# DB-9 Connector

# Denotes an RoHS-compliant device that may include lead(Pb) that is exempt under the RoHS requirements.

## DESCRIPTION

The DS1413 Passive Serial Port iButton Holder is a simple, low-cost adapter which performs RS232C ( $\pm 12$  volt) level conversion, allowing a non-EPROM iButton to be read and written directly. It can also read all EPROM based iButtons. The serial port must support a data transmission rate of 115.2 kbits/s in order to create the 1-Wire<sup>®</sup> time slots correctly. Nearly all PCs and several other hardware platforms support the required bit rate and are fully compatible with the DS1413. Since an eight bit character (6-data bits plus start-and stop bit) on the RS232C port operating at 115.2 kbits/s is used to form a single 1-Wire time slot, the maximum effective 1-Wire transfer rate is 14.4 kbits/s (regular speed). The DS1413 has a DS9098 retainer for a single F5 Micro-Can and can replace the DS9097 COM Port Adapter in applications that use only a single iButton. Multiple iButtons can be connected to the DS1413 using standard MicroLAN Cables and button holders (see DS1401 and DS1402x data sheets).

The DS1413 does not support the strong pullup. For applications requiring a strong 5-volt pullup see DS1411. Details on the operation of the DS1413 are found in Application Note 214: *Using a UART to Implement a 1-Wire Bus Master*.

**REVISION HISTORY**

| <b>REVISION DATE</b> | <b>DESCRIPTION</b>  | <b>PAGES CHANGED</b> |
|----------------------|---|----------------------|
| 7/99                 | Initial release.  | —                    |
| 8/09                 | <ul style="list-style-type: none"><li>• Added # to the <i>Ordering Information</i> to reflect the conversion to a RoHS-compliant product.</li><li>• Changed the reference in the <i>Description</i> section from Application Note 74 to Application Note 214.</li></ul> | 1                    |