



Chipsmall Limited consists of a professional team with an average of over 10 year of expertise in the distribution of electronic components. Based in Hongkong, we have already established firm and mutual-benefit business relationships with customers from,Europe,America and south Asia,supplying obsolete and hard-to-find components to meet their specific needs.

With the principle of “Quality Parts,Customers Priority,Honest Operation,and Considerate Service”,our business mainly focus on the distribution of electronic components. Line cards we deal with include Microchip,ALPS,ROHM,Xilinx,Pulse,ON,Everlight and Freescale. Main products comprise IC,Modules,Potentiometer,IC Socket,Relay,Connector.Our parts cover such applications as commercial,industrial, and automotives areas.

We are looking forward to setting up business relationship with you and hope to provide you with the best service and solution. Let us make a better world for our industry!



Contact us

Tel: +86-755-8981 8866 Fax: +86-755-8427 6832

Email & Skype: info@chipsmall.com Web: www.chipsmall.com

Address: A1208, Overseas Decoration Building, #122 Zhenhua RD., Futian, Shenzhen, China





General Description

The DS31407DK is an easy-to-use evaluation kit for the DS31407 timing IC. A surface-mounted DS31407 and careful layout provide maximum signal integrity. An on-board low-phase-noise TCXO is provided for device compliance evaluation. Additionally, the board can accept an external oscillator input for testing alternate oscillators and oscillator frequencies. Both DS31407 input clocks are accessible via SMA connectors. All DS31407 output clocks are accessible via a combination of SMA and SMB connectors to allow easy evaluation of the device's CML, LVDS/LVPECL, and CMOS output clock signals. LEDs on the board indicate interrupt, DPLL lock, selected reference fail, and GPIO output status. Additionally, the GPIO, interrupt, and JTAG I/O signals are also accessible via header pins. Finally, an on-board microcontroller and USB interface provide easy configuration and monitoring of the DS31407 via a Windows®-based software application.

Demo Kit Contents

- ◆ DS31407DK Board
- ◆ Power Supply
- ◆ USB Cable
- ◆ SMA-to-BNC and SMB-to-BNC Cable Adapters

Ordering Information

| PART NUMBER | DESCRIPTION |
|--------------------|----------------------|
| DS31407DK | Demo Kit for DS31407 |

Features

- ◆ Soldered DS31407 for Best Signal Integrity
- ◆ SMA and SMB Connectors For Easy Connectivity
- ◆ Connectors and Termination for All Input and Output Clock Signals
- ◆ On-Board Low Phase Noise 5x7mm TCXO with Footprints for Other TCXO and OCXO Sizes
- ◆ External Local Oscillator Testing Support
- ◆ LEDs for Interrupt, DPLL Lock, Selected Reference Fail, and GPIO Status
- ◆ Banana-Jack 5V and GND Connectors Support Use of Lab Power Supplies
- ◆ Easy-to-Read Silkscreen Labels Identify the Signals Associated with All Connectors, Jumpers, and LEDs
- ◆ Windows®-Based Application Software Provides Easy GUI-Based Configuration and Monitoring of Most Common Device Features and Register Level Access to Entire Device Register Set
- ◆ Software Support for Creating and Running Configuration Scripts Saves Time During Evaluation and System Design

Minimum System Requirements

- ◆ PC Running Windows XP or Windows 2000
- ◆ Display with 1024x768 Resolution or Higher
- ◆ Available USB Port

Table of Contents

| | | |
|-----------|--|-----------|
| 1. | OVERVIEW | 4 |
| 2. | BOARD FLOORPLAN AND CONFIGURATION | 4 |
| 2.1 | POWER SUPPLY CONNECTION..... | 5 |
| 2.2 | USB CONNECTION | 5 |
| 2.3 | INPUT CLOCK CONNECTORS | 5 |
| 2.4 | OUTPUT CLOCK CONNECTORS..... | 5 |
| 2.5 | ON-BOARD/EXTERNAL MCLKOSC CONFIGURATION | 6 |
| 2.6 | GPIO AND INTERRUPT HEADER..... | 6 |
| 2.7 | JTAG HEADER..... | 6 |
| 3. | DEFAULT HARDWARE CONFIGURATION | 7 |
| 4. | SOFTWARE INSTALLATION | 8 |
| 4.1 | SOFTWARE APPLICATION INSTALLATION..... | 8 |
| 4.2 | USB VIRTUAL COM PORT DEVICE DRIVER INSTALLATION..... | 8 |
| 4.3 | COMMAND LINE OPTIONS..... | 8 |
| 5. | SOFTWARE APPLICATION OVERVIEW | 9 |
| 5.1 | MAIN MENU..... | 9 |
| 5.2 | INPUT CLOCK CONFIGURATION MENU..... | 12 |
| 5.3 | DPLL CONFIGURATION AND STATUS MENU | 13 |
| 5.4 | OUTPUT CLOCK MENU – OC1 | 14 |
| 5.5 | OUTPUT CLOCK MENU – OC4..... | 15 |
| 5.6 | I/O PIN CONFIGURATION MENU | 16 |
| 5.7 | REGISTER VIEW MENU | 17 |
| 5.8 | CONFIGURATION SCRIPTS AND LOG FILE | 18 |
| 5.8.1 | Configuration Log File..... | 18 |
| 5.8.2 | Configuration Scripts..... | 18 |
| 6. | DS31407DK ERRATA..... | 18 |
| 7. | REVISION HISTORY | 18 |
| 8. | BILL OF MATERIALS | 19 |
| 9. | SCHEMATICS | 20 |

List of Figures

| | |
|---|----|
| Figure 1: Main Menu Window | 9 |
| Figure 2: Input Clock Configuration Menu | 12 |
| Figure 3: DPLL Configuration and Status Menu | 13 |
| Figure 4: Output Clock Configuration Menu – OC1 | 14 |
| Figure 5: Output Clock Configuration Menu – OC4 | 15 |
| Figure 6: I/O Pin Configuration Menu | 16 |
| Figure 7: Register View Menu | 17 |

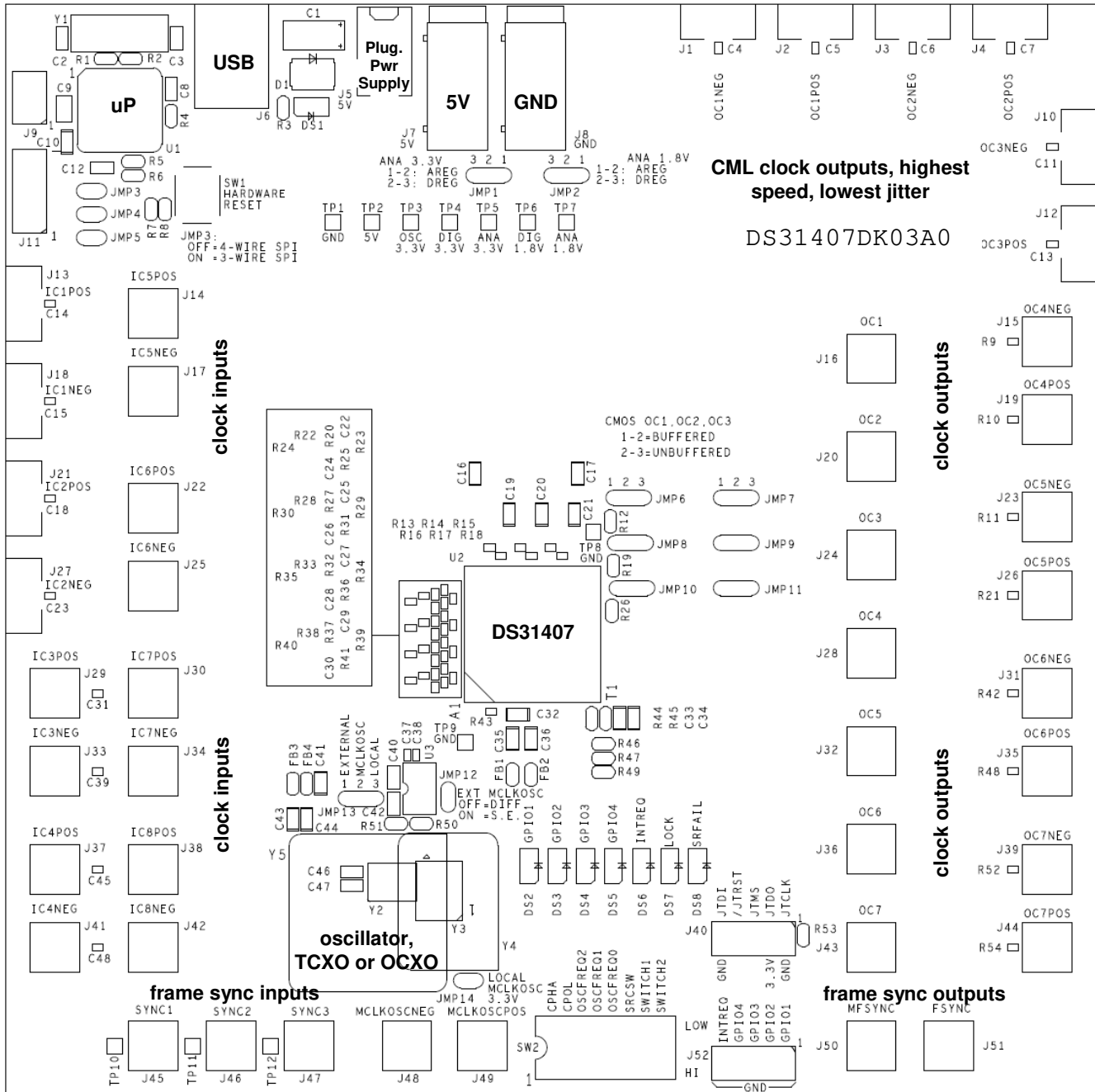
List of Tables

| | |
|--|----|
| Table 1: DS31407DK Input Clock Connectors | 5 |
| Table 2: Output Clock Connectors..... | 5 |
| Table 3: MCLKOSC Configuration..... | 6 |
| Table 4: Switch SW2 MCLKOSC Frequency Selection..... | 6 |
| Table 5: Default Hardware Configuration | 7 |
| Table 6: Example APLL Output Clock Configurations..... | 14 |

1. Overview

This document covers revision 02A0 and later of the DS31407DK evaluation board, P/N DS31407DK.

2. Board Floorplan and Configuration



When the board is oriented as shown above, the DS31407 is in the middle of the board, the input clock connectors are on the left side, and output clock connectors are on the right side. The DS31407's local oscillator is down and to the left of the DS31407. Power and ground banana jacks are top-center. The jack for the wall-plug 5V power supply is to the left of the 5V jack. The board microprocessor and USB interface jack are top-left. Frame sync inputs (2kHz or 8kHz) are bottom-edge left, and 2kHz and 8kHz frame sync outputs are bottom-edge right. See section 8 for board schematics and bill of materials.

2.1 Power Supply Connection

Typically the DS31407DK board is powered via connector J5 using the provided AC-wall-plug 5V power supply. The board can be powered via a 5V lab supply by connecting the supply 5V output to banana jack J7 and the supply ground to banana jack J8. LED DS1 illuminates to indicate that the board is powered.

2.2 USB Connection

The Windows-based DS31407DK software application communicates to the DK board via USB connector J6.

2.3 Input Clock Connectors

Table 1 describes the connectors available for the DS31407's input clocks and input frame sync signals and how each signal is terminated on the board. Each connector is labeled on the board with both the schematic reference designator and the signal name for easy identification.

Table 1: DS31407DK Input Clock Connectors

| Input Clock | Connector | Connector Type | Termination |
|-------------|-----------|----------------|---------------------------------|
| IC1P/N | J13 (P) | SMA | AC-coupled 100 ohm differential |
| | J18 (N) | | |
| IC2P/N | J21 (P) | SMA | AC-coupled 100 ohm differential |
| | J27 (N) | | |
| IC3P/N | J29 (P) | SMB | AC-coupled 100 ohm differential |
| | J33 (N) | | |
| SYNC1 | J45 | SMB | DC-coupled 50 ohm parallel |
| SYNC2 | J46 | SMB | DC-coupled 50 ohm parallel |
| SYNC3 | J47 | SMB | DC-coupled 50 ohm parallel |

2.4 Output Clock Connectors

Table 2 describes the connectors available for the DS31407's output clocks and output frame sync signals. Each connector is labeled on the board with both the schematic reference designator and the signal name for easy identification.

Table 2: Output Clock Connectors

| Output Clock | Connector | Connector Type | Output Format |
|--------------|-----------|----------------|--------------------------|
| OC1P/N | J2 (P) | SMA | CML ¹ |
| | J1 (N) | | |
| OC4P/N | J19 (P) | SMB | LVDS/LVPECL ² |
| | J15 (N) | | |
| OC1 | J16 | SMB | 3.3V CMOS ³ |
| OC4 | J28 | SMB | 3.3V CMOS ³ |
| FSYNC | J51 | SMB | 3.3V CMOS ³ |
| MFSYNC | J50 | SMB | 3.3V CMOS ³ |

Note 1: DS31407 has internal 50Ω resistors to 3.3V

Note 2: The OC4 LVDS/LVPECL outputs connect to the SMB connectors through a 0Ω resistor.

Note 3: All CMOS clock and sync outputs are buffered at the DS31407. The output of the buffer is connected to the SMB connector through a 0Ω resistor and a 50Ω trace. The 0Ω resistor can be replaced with a series termination resistor if needed. For output OC1 the buffer can be bypassed; see the DS31407DK schematics to determine the appropriate jumper settings for this bypass.

2.5 On-Board/External MCLKOSC Configuration

The signal for the DS31407 local oscillator input MCLKOSC can come from the on-board oscillator or an external source. Jumpers J12, J13, and J14 are used to select the MCLKOSC mode. [Table 3](#) summarizes how to configure the board for each mode of operation.

Table 3: MCLKOSC Configuration

| Mode | Connector(s) | Jumper Settings |
|------------------------|--------------------------------------|---|
| Local | N/A | JMP12 = Not Installed JMP13 = 2-3 JMP14 = Installed |
| External, Single-Ended | J49 (MCLKOSCPOS) | JMP12 = Installed JMP13 = 1-2 JMP14 = Not Installed |
| External, Differential | J49 (MCLKOSCPOS) J48 (MCLKOSCNEG) | JMP12 = Not Installed JMP13 = 1-2 JMP14 = Not Installed |

DIP switch SW2 is used to control the DS31407 input pins OSCFREQ[2:0], which specify the frequency of the oscillator clock signal on the DS31407 MCLKOSC pin. [Table 4](#) shows the OSCFREQ[2:0] settings and corresponding MCLKOSC frequencies for the DS31407.

Table 4: Switch SW2 MCLKOSC Frequency Selection

| SW2.OSCFREQ[2:0] | MCLKOSC Frequency |
|------------------|-------------------|
| 000 | 12.8MHz |
| 001 | 25.6MHz |
| 010 | 10MHz |
| 011 | 20MHz |
| 100 | 19.44MHz |
| 101 | 38.88MHz |
| 110 | 10.24MHz* |
| 111 | 20.48MHz* |

* Frequencies 10.24MHz and 20.48MHz are not pin programmable on rev A1 DS31407 ICs. Contact that factory for DS31407 configuration scripts for use with 10.24MHz and 20.48MHz oscillators if needed. Additional note: Some boards have been built and shipped with rev A1 DS31407 ICs and 20.48MHz oscillators for best jitter performance. On these boards DIP switch SW2.SWITCH1 is set to 1 at the factory and must remain set to 1 for proper operation. When DS31407DK software detects SW2.SWITCH1=1 it automatically configures a rev A1 DS31407 for operation with a 20.48MHz oscillator.

2.6 GPIO and Interrupt Header

The DS31407 GPIO bidirectional pins and INTREQ output pin are available on the 10-pin header J52. The header pins are labeled on the board with the corresponding DS31407 signal names for easy identification.

2.7 JTAG Header

The DS31407 JTAG interface is available on the 10-pin header J40. The header pins are labeled with the corresponding JTAG signal names for easy identification.

3. Default Hardware Configuration

Table 5: Default Hardware Configuration

| Option | Setting |
|--------|---------------|
| JMP1 | 1-2 |
| JMP2 | 1-2 |
| JMP3 | Not Installed |
| JMP4 | Not Installed |
| JMP5 | Not Installed |
| JMP6 | 1-2 |
| JMP7 | 1-2 |
| JMP8 | 1-2 |
| JMP9 | 1-2 |
| JMP10 | 1-2 |
| JMP11 | 1-2 |
| JMP12 | Not Installed |
| JMP13 | 2-3 |
| JMP14 | Installed |
| SW2* | 00000000 |

* SW2 may have SWITCH1 set to 1. See the footnote to [Table 4](#) for details.

4. Software Installation

DS31407DK software installation consists of the following two steps:

1. Install the DS31407DK software application
2. Install the DS31407DK virtual COM port driver (for USB connection to the board)

The following sections describe in detail how to perform each of these steps.

4.1 Software Application Installation

At this time the DS31407DK software is only supported on Windows 2000 and Windows XP operating systems.

The latest version of the DK software can be requested from Microsemi timing products technical support. To install the software, open the installer zip file and run setup.exe.

4.2 USB Virtual COM Port Device Driver Installation

After the GUI application has been installed on the PC, apply power to the DS31407DK board and connect its USB port to a USB port of the PC. Then follow these steps:

- ◆ A "Found New Hardware" message will appear in the notification area of the Windows taskbar, and then the "Found New Hardware Wizard" will appear.
- ◆ Select **No** when asked if you want to connect to Windows Update to look for the driver.
- ◆ Click **Next**.
- ◆ Select **Install from a list or specific location**.
- ◆ Click **Next**.
- ◆ Select **Search for the best driver in these locations** and check **include this location in the search** then browse to the folder where the DS31407DK software was installed. The default installation folder can be reached by browsing My Computer → Program Files → Microsemi → DS31407 Demo Kit. (The driver file is: HC9S08JMxx.inf, but Windows only needs to know the name of the folder in which to look for this file.)
- ◆ Click **Next**.
- ◆ If a message appears indicate the software has not passed logo testing, click **Continue Anyway**.

That should complete the virtual COM port device driver installation. After following these steps, the DS31407DK software should be ready to communicate with the board.

4.3 Command Line Options

The software has these command line options:

-l <filepath> specifies an alternate log file example: "DS31407DK.exe -l "mylog.mfg"

To add command line options to the DS31407 demo kit shortcut that the installer adds to the desktop, right-click on the shortcut and select **Properties**. In the **Shortcut** tab, at the end of the text in the **Target** textbox, add a space followed by the command line option.

5. Software Application Overview

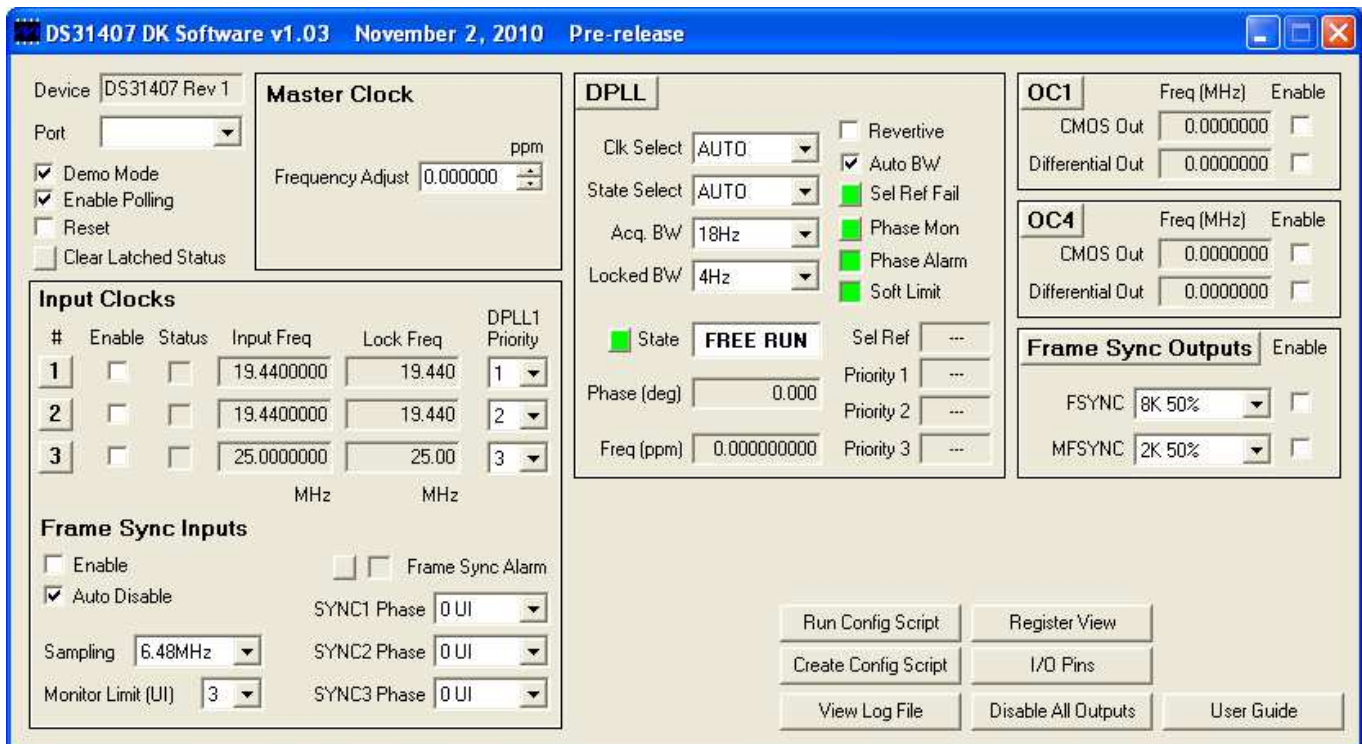
The DS31407DK software provides an easy and interactive way to evaluate the DS31407 by using hierarchical menus to configure the device and monitor its status. The following sections briefly describe each of the major application menus.

Note: in each menu, when the mouse cursor is placed over a configuration or status field, more information is displayed about that field such as associated DS31407 registers or valid numerical range.

5.1 Main Menu

The main menu window, shown in Figure 1, is displayed when the program is started. This menu provides an overview of the DS31407 configuration and status. Additionally, it provides access to the application submenus that are used to perform detailed device configuration.

Figure 1: Main Menu Window



The major features located on the main menu are:

- **Port list** (upper-left corner)

When the program starts, a scan is performed of the computer's USB-connected virtual ports. Those ports connected to DS314xxDK boards are displayed in the port list.

- **Demo Mode** checkbox (upper-left corner)

When the program starts it is initially in Demo Mode. In Demo Mode the software is not connected to the DK board. In this mode the software can be used to investigate DS31407 configuration options or to develop a DS31407 configuration script without the need to connect a board.

When the **Demo Mode** checkbox is unchecked, the GUI application establishes communication with the DK board through the port displayed in the **Port** box. In this mode all menu configuration changes are translated into DS31407 register writes which are then written to the DS31407 on the board.

- **Enable Polling** checkbox (upper-left corner)

When the **Demo Mode** checkbox is unchecked, if the **Enable Polling** checkbox is checked, the status registers in the DS31407 are periodically polled, and the corresponding status fields in the software are automatically updated.

- **Reset** checkbox (upper-left corner)

This checkbox directly controls the MCR1.RST bit in the DS31407. When this box is checked the entire DS31407 is reset to its power-on default state.

- **Master Clock** Frequency Adjustment

Any known frequency error in the local oscillator can be calibrated out inside the DS31407 by setting the ppm value of the error in the **Frequency Adjust** box.

- **Input Clocks**

This section of the main menu provides an overview of how each input clock is configured and its current status. Additionally, the DPLL priority for each input clock can be set using the corresponding drop-down list. Finally, the input frame sync capabilities of the DS31407 can be configured here. For each input clock a submenu containing detailed configuration and status information is accessed by pressing the corresponding numbered button in the **#** column on the left side.

Just to the right of the input clock numbers, in the **Status** column, are software LEDs that indicate the state of each input as reported by its input monitor. These LEDs are red when the input clock is invalid. When a clock of the correct frequency is applied to an input, the associated LED turns yellow when activity is detected and green when the input clock frequency is found to be within range. If an input is disqualified because the DPLL could not lock to it, the LED turns magenta.

Important note: If the **Status** box for an input clock is not red, green, yellow or magenta then the input clock is disabled. To enable the input clock, check the **Enable** checkbox to the left of the **Status** box.

- **DPLL**

The key features of the DPLL can be configured in the DPLL section of the main menu, including acquisition bandwidth, locked bandwidth, automatic or manual input clock selection, and automatic or manual DPLL state selection. Also, key status information is reported here including current selected reference (Sel Ref), priority 1, 2 and 3 backup references, DPLL state, frequency, and phase.

The **State**, **Sel Ref Fail**, and **Phase Mon** buttons represent latched status bits in the device. When the button is red, the corresponding latched status bit has been set in the DS31407 since the last time the button was pressed. Pressing the button clears the latched status bit and changes the color of the button back to green. The **State** button indicates the state of the DPLL has changed. **Sel Ref Fail** indicates the selected reference has failed. **Phase Mon** indicates the phase monitor limit has been exceeded. The **Revertive** checkbox configures the DPLL for revertive or non-revertive switching among input clocks. When **Auto BW** = 1, the DPLL uses the acquisition bandwidth during pull-in and the locked bandwidth when phase locked. When **Auto BW** = 0 the DPLL uses the locked bandwidth all the time.

A submenu containing additional configuration and status information is accessed by pressing the **DPLL** button located in the top left corner of the DPLL box.

- **Output Clocks** (OCx boxes on the right)

The frequency of each of the DS31407's output clocks is displayed in the corresponding output clock section. Additionally, the output enable for each output clock is controlled here. For each output clock, a submenu containing detailed configuration fields is accessed by pressing the corresponding **OCx** button (where x is the output clock number) located in the upper left corner of each OCx box.

As an aid to identifying an invalid output clock configuration, the output clock frequency field turns red when that output clock has been configured to an invalid frequency. A frequency is invalid when it too fast for the output driver: >125MHz for CMOS, >312.5MHz for LVDS/LVPECL, or >750MHz for CML.

- **Frame Sync Outputs**

The most common features of the DS31407 FSYNC and MFSYNC outputs are configured in this section of the main menu. A submenu providing additional configuration information is accessed by pressing the **Frame Sync Outputs** button located in the top left of the frame sync outputs box.

- **Configuration Scripts**

The **Run Config Script** button launches a submenu that allows execution of a DS31407 configuration script. These scripts can configure the entire IC (full configuration script) or only a portion of the IC (partial configuration script). The **Create Config Script** button launches a submenu from which a full-chip configuration script can be generated.

- **Log File**

The **View Log File** button launches a text editor containing the DS31407 log file. This log file contains a history of DS31407 register writes performed since the application was launched.

- **Register View**

The **Register View** button launches a submenu that provides register level access to all DS31407 registers.

- **I/O Pins**

The **I/O Pins** button launches a submenu that can be used to configure the DS31407 GPIO, LOCK, and SRFAIL outputs.

- **Disable All Outputs**

Pressing the **Disable All Outputs** button disables all DS31407 outputs (all Enable checkboxes in the OCx boxes are cleared).

5.2 Input Clock Configuration Menu

The Input Clock Configuration submenu, shown in Figure 2, is used to perform detailed configuration of an input clock. This configuration includes specifying the clock frequency at the DS31407 input pin, DPLL lock frequency, and input clock monitoring parameters.

Figure 2: Input Clock Configuration Menu

Input Clock Configuration for IC4

General

- Invert Input Clock
- Frame Sync Pin: SYNC1
- Soft Limit
- Hard Limit
- No Activity
- Lock Alarm

Leaky Bucket Settings

| Upper | Lower | Size | Decay (ms) |
|-------|-------|------|------------|
| 6 | 4 | 8 | 256 |

Frequency Division and Scaling

Input Frequency: 25.0000000 × $\frac{ICN}{ICD}$ = Lock Frequency: 25.000

ICN: 1, ICD: 1

Range: < 100MHz

Embedded Frame Sync

- State: Disabled
- PWM Length: Short
- PWM Cycles: 1
- Edge: Next

Frequency Monitoring and Measurement

- Accept Hard Limit (ppm): 9.223
- Reject Hard Limit (ppm): 11.970
- Hard Limit Mode: Stratum 3
- Soft Limit (ppm): 8.045
- Measured Frequency (ppm): 160.746
- Freq Monitor Reference Clock: MCLK
- Freq Measurement Time (sec): 15.926
- Hard Limit Enable
- Soft Limit Enable
- Gross Frequency Range Limit
- Noise Shaping

Close

5.3 DPLL Configuration and Status Menu

The DPLL Configuration and Status submenu, shown in Figure 3, is used to perform detailed configuration of the DPLL. This configuration includes specifying the DPLL holdover mode, lock criteria, phase detector, and phase buildout functionality.

Figure 3: DPLL Configuration and Status Menu

DPLL Configuration and Status for DPLL1

Holdover

- Reset HO
- Fast Ready Slow Ready
- Holdover Mode: Instant
- Mini Holdover: Instant
- Manual HO Freq: 0.000000000000
- Read Average: Instant
- Frequency (ppm): 0.000000000000

Lock Criteria

- Fine Phase Limit (deg) 90-180
- Course Phase Limit (UI) 63
- Hard Frequency Limit (ppm) ... 11.991
- No Activity Soft Limit (ppm) 8.163
- Limit Integral Path
- Ultra-Fast Switching

Phase Detectors

- MCPD D180
- Use MCPD 180/360
- Phase Lock Timeout: 50 x 2 = 100 sec
- Lock Alarm Timeout: 50 x 2 = 100 sec

Phase Monitor and Buildout

- Phase Monitor Limit (ns) 2031.25
- Phase Buildout (Hitless Switching) Freeze
- Phase Buildout on Input Transient
- Recal PBO Offset (ns) 0.000
- Manual Phase Adjust (ns) 0.000000

Damping Factor

- Acquisition: 5
- Locked: 5

Special Modes

- External Switching Mode
- Input vs. Input Phase Measurement
- Input vs. Other DPLL Phase Measurement

Close

5.4 Output Clock Menu – OC1

The Output Clock Configuration submenu for an output directly associated with the APLL, shown in Figure 4, is used to perform detailed configuration of output clock OC1. This configuration includes specifying the output DFS source and frequency, APLL source and VCO frequency, APLL output divider values, CML output divider value, and CMOS output source and divider value. Clicking the **Block Diagram** button at the bottom of the window displays a block diagram of the relevant DS31407 logic for reference during configuration.

As an aid to identifying an invalid output clock configuration, frequency fields turn red when configured with an invalid frequency. Frequencies can be invalid when too high for the output driver or the particular section of internal circuitry or when out of the required range, such as the VCO Frequency. When trying to understand why a field is red, position the mouse cursor over the field to see additional information about the field. For some fields this additional information indicates the valid frequency range.

Figure 4: Output Clock Configuration Menu – OC1

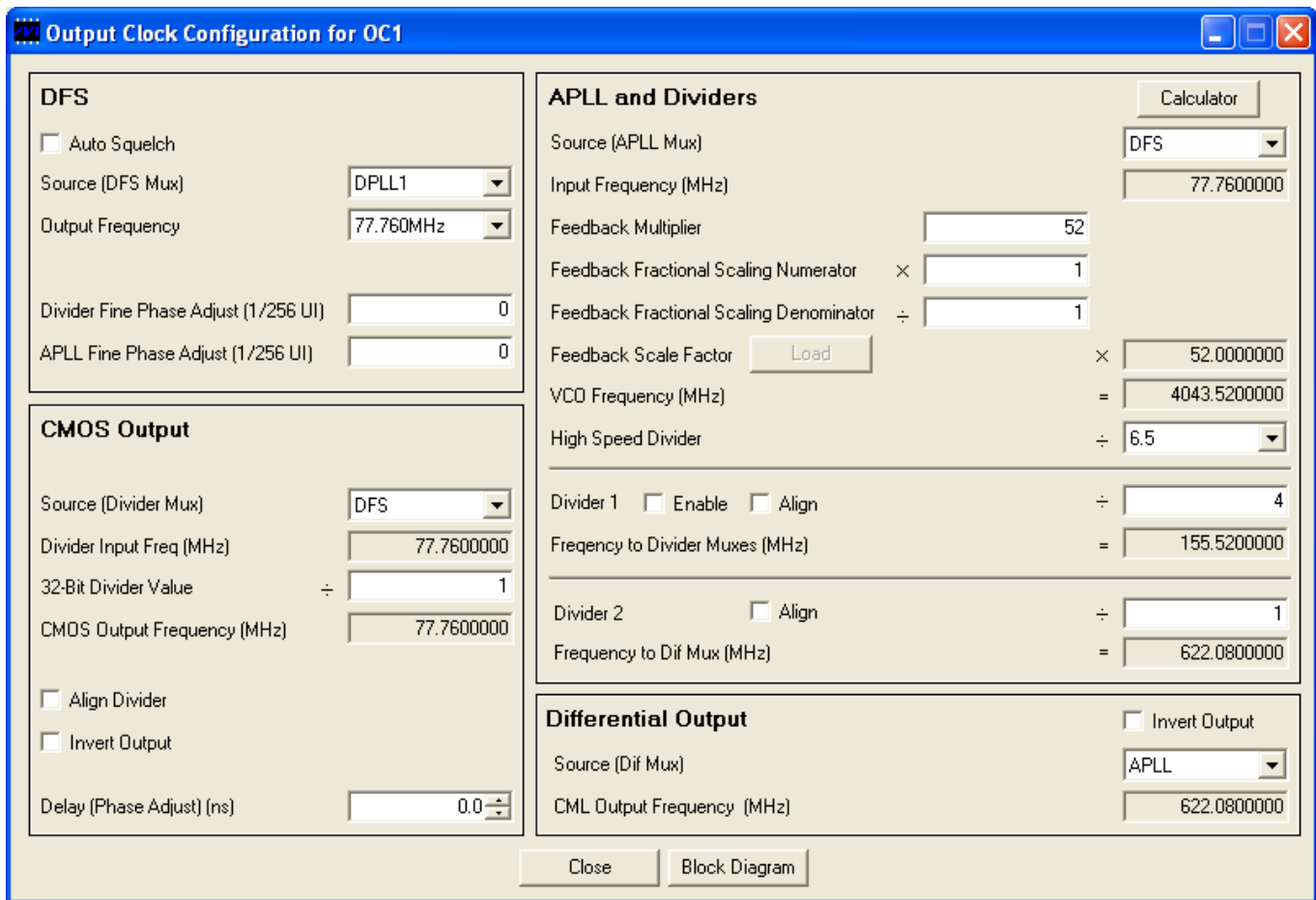


Table 6: Example APLL Output Clock Configurations

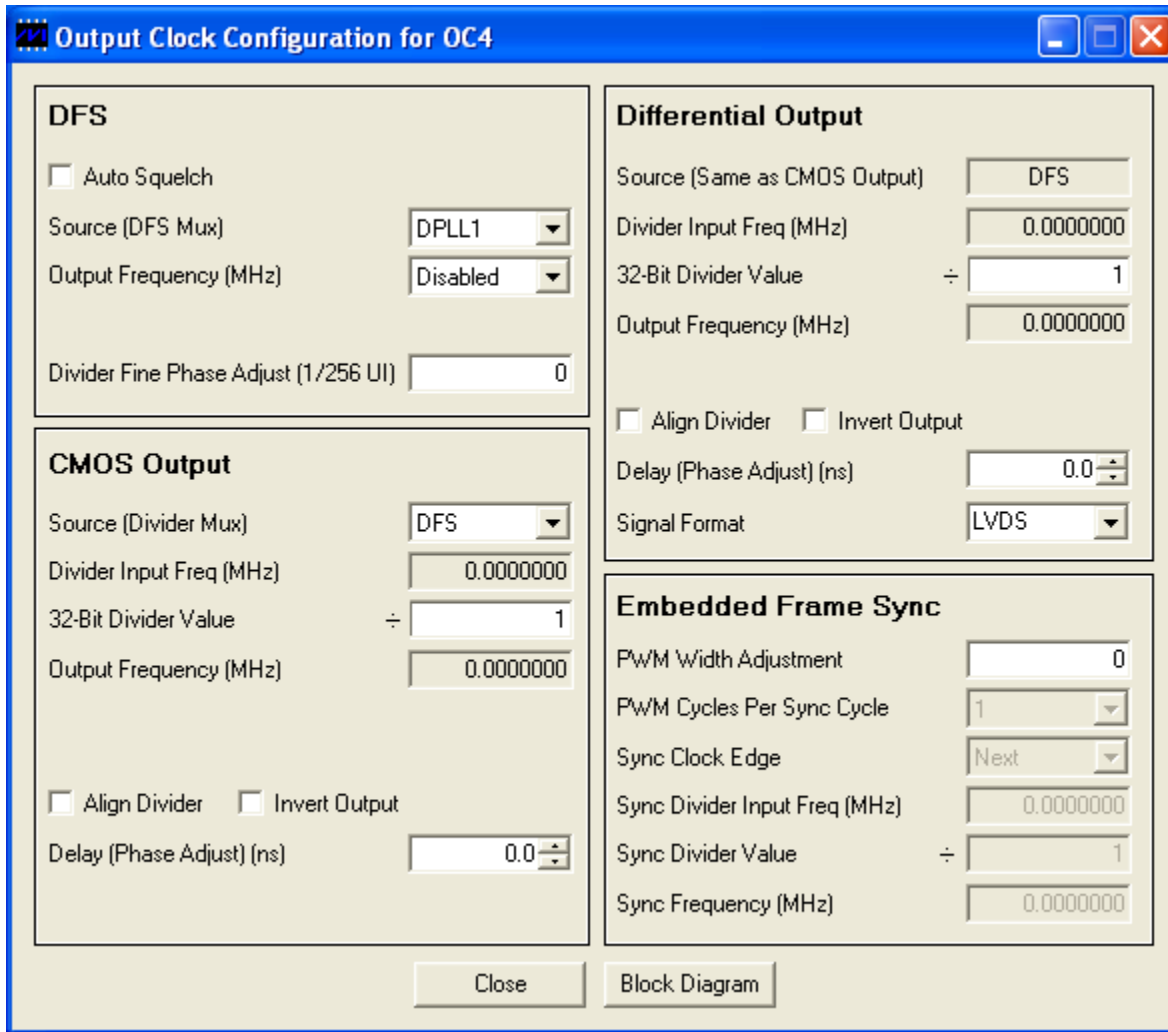
| Desired Differential Output Frequency | DFS Output Frequency | Source (APLL Mux) | Feedback Multiplier | Feedback Fractional Scaling Numerator | Feedback Fractional Scaling Denominator | VCO Frequency | High Speed Divider | Divider 2 |
|---------------------------------------|----------------------|-------------------|---------------------|---------------------------------------|---|-----------------|--------------------|-----------|
| 622.08MHz | 77.76MHz | DFS | 52 | 1 | 1 | 4043.52MHz | 6.5 | 1 |
| 155.52MHz | 77.76MHz | DFS | 52 | 1 | 1 | 4043.52MHz | 6.5 | 4 |
| 156.25MHz | 62.5MHz | DFS | 65 | 1 | 1 | 4062.5MHz | 6.5 | 4 |
| 161.1328125MHz | 62.5MHz | DFS | 65 | 66 | 64 | 4189.4531250MHz | 6.5 | 4 |
| 622.08M*255/237 | 77.76MHz | DFS | 48 | 255 | 237 | 4015.9594937MHz | 6 | 1 |
| 156.25MHz * 66/64 * 255/238 | 62.5MHz | DFS | 65 | 66 * 255 = 16,830 | 64 * 238 = 15,232 | 4143.4151786MHz | 6 | 4 |

5.5 Output Clock Menu – OC4

The Output Clock Configuration submenu for an output not directly associated with the APLLs, shown in Figure 5, is used to perform detailed configuration of output clock OC4. This configuration includes specifying the output DFS source and frequency, CMOS and LVDS/LVPECL output source, LVDS/LVPECL output divider value, and CMOS output divider value. Clicking the **Block Diagram** button at the bottom of the window displays a block diagram of the relevant DS31407 logic for reference during configuration.

As an aid to identifying an invalid output clock configuration, frequency fields turn red when configured with an invalid frequency. Frequencies can be invalid when too high for the output driver or the particular section of internal circuitry or when out of the required range. When trying to understand why a field is red, position the mouse cursor over the field to see additional information about the field. For some fields this additional information indicates the valid frequency range.

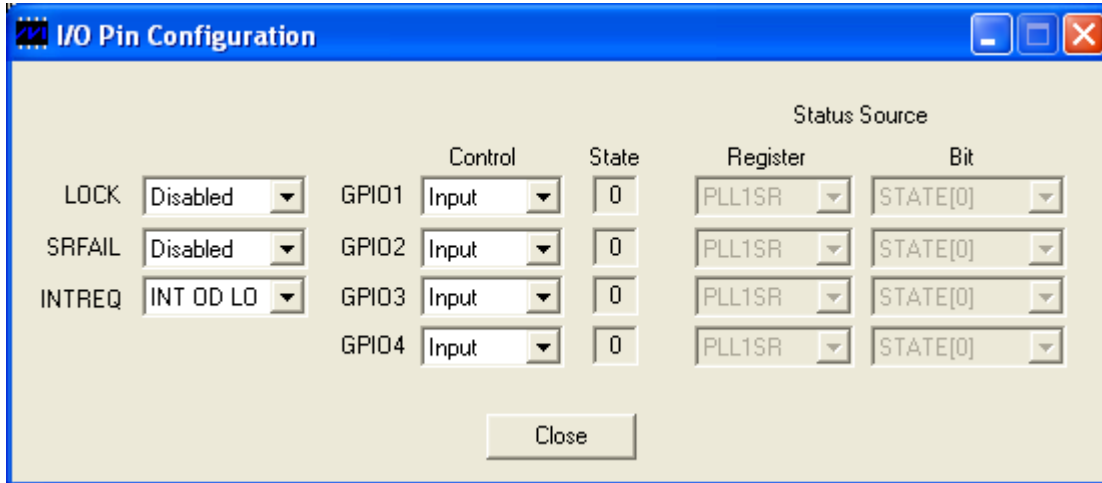
Figure 5: Output Clock Configuration Menu – OC4



5.6 I/O Pin Configuration Menu

The I/O Pin Configuration submenu, shown in Figure 6, is used to configure the DS31407 LOCK, SRFAIL, and INTREQ output status pins. Additionally, it is used to configure a DS31407 GPIO pin as a general purpose input or output, or to map a DS31407 status register bit to the pin as an output status.

Figure 6: I/O Pin Configuration Menu



5.7 Register View Menu

When the Register View button in the lower-left corner of the main window is pressed, the Register View window appears (Figure 7). In this window the DS31407's entire register set can be viewed and manually written as needed.

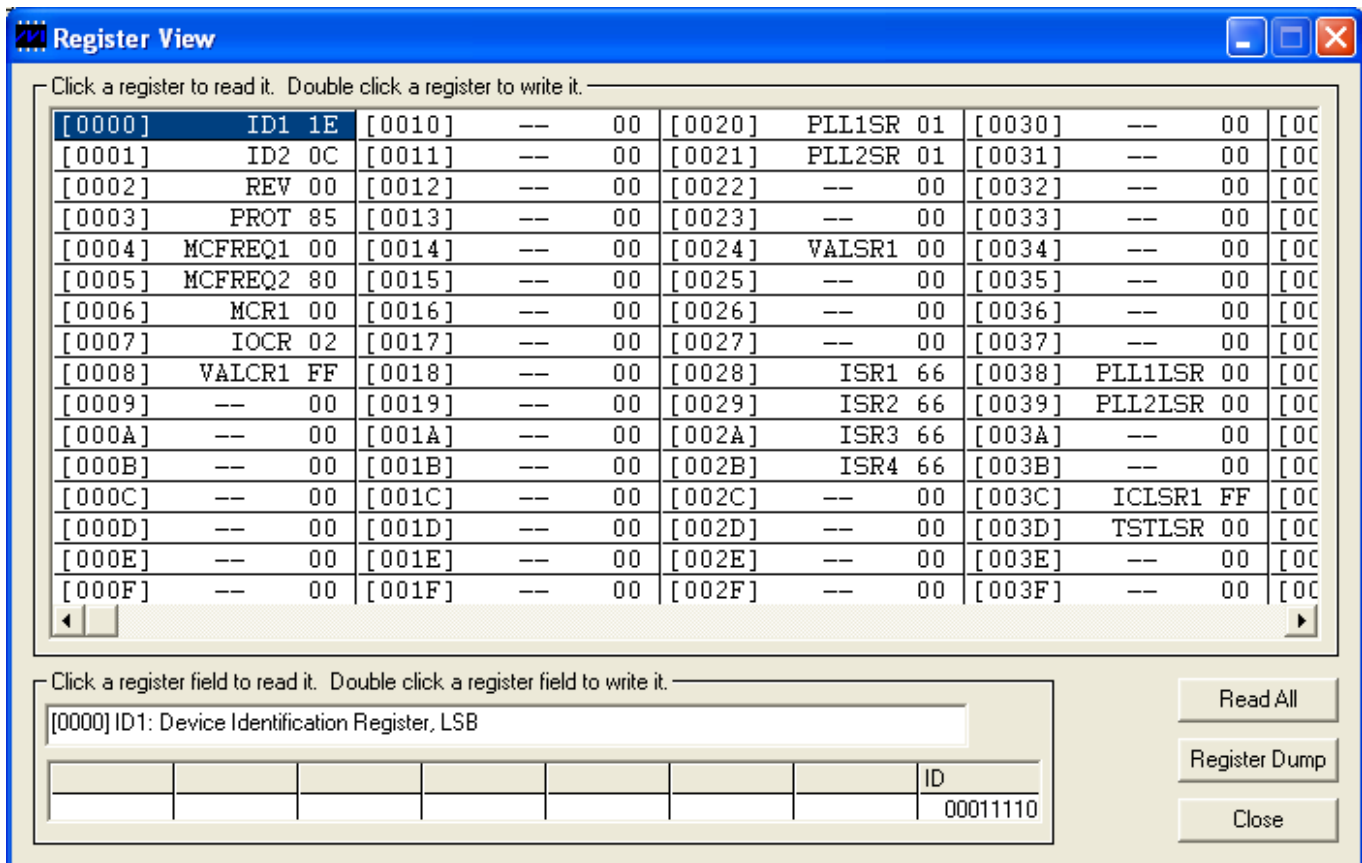
The large grid that takes up most of the window displays the DS31407 register map. For each register, its hexadecimal address in square brackets is followed by its register name and its contents in two-digit hex format. When a register is clicked in the main register grid, its register description and fields are displayed at the bottom of the window.

The Register View window supports the following actions:

- ◆ **Read a register.** Select the register in the register map.
- ◆ **Read a register field.** Select the register in the map or the register field at the bottom of the window.
- ◆ **Read all registers.** Press the Read All button.
- ◆ **Write a register.** Double-click the register name in the register map and enter the value to be written.
- ◆ **Write a register field.** Select the register, double-click the field, and enter the value to be written.
- ◆ **Write a multiregister field.** Double-click one of the register names and enter the value for the field.
- ◆ **Write a complete DS31407 register dump to a text file.**

When using the Register View window it is important to remember that input clock and output clock registers are bank-switched by the ICSEL (0x0060) and OCSEL (0x00C0) registers, respectively. See section 8.1.4 in the DS31407 data sheet for more details.

Figure 7: Register View Menu



5.8 Configuration Scripts and Log File

5.8.1 Configuration Log File

Every write command issued by the software to the DS31407DK board is logged in file DS31407DKLog.mfg located in the same folder as the software executable. If default values were used during installation, this folder is "C:\Program Files\Microsemi\DS31407 Demo Kit". The log file can be viewed in Notepad by pressing the Log File button in the lower-left corner of the main window. Command line option "-l <filepath>" can be used to cause the software to write to a file other than DS31407DKLog.mfg, as described in section 4.3.

5.8.2 Configuration Scripts

Configuration scripts are useful for quickly configuring the DS31407 without having to remember all the required settings. Two types of configuration scripts are possible: full and partial.

A full configuration script can start with the DS31407 in its power-on default state and configure every aspect of the device to bring it to a desired state. To make a full configuration script, run the software, uncheck the Demo Mode checkbox, initialize the device, then configure the device using the DK software. Next, press the **Create Config Script** button in the lower-left corner of the main window, specify the file name and location, and then press the **Create** button. The new script is then displayed in Notepad.

A partial configuration file only affects a subset of the DS31407 device settings. To make a partial configuration script, press the **View Log File** button in the main window to view the log file, press **Ctrl-End** to jump to the end of the file, and then add to the end of the file a comment line (starting with a semicolon) to delimit the start of the desired configuration. Then save and exit the Log File. Next, configure the device using the DK software fields. Finally, view the log file again, jump to the end, and copy everything from the previously-made delimiter to the end of the file into a new .mfg file.

To run a configuration script, press the **Run Config Script** button in the lower-left corner of the main window, specify the file name and location, then press the **Execute** button.

Note that when the Demo Mode checkbox is changed from checked to unchecked, during the "Initializing the DS31407" step, the software runs configuration script startup.mfg located in the same directory as the software executable. The startup.mfg file can be edited or replaced as needed to change the initial configuration of the device. Be aware, however, that the section of the startup.mfg file labeled "Required Initialization" must be executed after device power-up or reset for the DS31407 to operate correctly.

6. DS31407DK Errata

None.

7. Revision History

| REVISION DATE | DESCRIPTION |
|---------------|---|
| 01/03/11 | First version released to customers. |
| 01/26/11 | Updated section 4.1 to refer to downloaded zip file rather than files on disk. In section 8 changed Y2 component in to MX602-012.8M. |
| 2012-05 | Reformatted for Microsemi. No content change. |

8. Bill of Materials

| DESIGNATION | QTY | DESCRIPTION | SUPPLIER | PART |
|---|-----|--|------------|----------------|
| C1 | 1 | CAPACITOR, TANT 68uF 16V 20% | NICHICON | F931C686MNC |
| C9 | 1 | 0805 CERAM .47uF 16V 10% | PAN | ECJ-2YB1C474K |
| C2, C3 | 2 | 0603 CERAM 22pF 50V 5% | PAN | ECJ-1VC1H220J |
| C42, C143 | 2 | L_0603 CERAM .001uF 50V 10% | PAN | ECJ-1VB1H102K |
| C46, C163 | 2 | L_0603 CERAM .01uF 50V 10% X7R | AVX | 06035C103KAT |
| C8, C12, C40, C47, C59, C66, C78, C79, C83, C84, C101, C102, C113, C114, C123, C124, C128, C129, C136, C137, C141, C142, C144, C145, C147, C154, C155, C156, C157, C158, C159, C160, C161 | 33 | L_0603 CERAM .1uF 16V 20% X7R | AVX | 0603YC104MAT |
| C16, C17, C33, C35, C36, C41, C44, C60, C61, C62, C64, C72, C73, C74, C75, C76, C77, C139, C140 | 19 | 0603 CERAM 1.0uF 6.3V 10% MULTILAYER | PAN | ECJ-1VB0J105K |
| C10, C19, C20, C21, C32, C34, C43, C49, C50, C51, C52, C53, C69, C70, C80, C81, C82, C138, C148, C149, C150, C151 | 22 | 0603 CERAM 4.7uF 6.3V 10% MULTILAYER | PAN | ECJ-1VB0J475K |
| C54, C55, C56, C57, C58, C63, C65 | 7 | 0603 CERAM 10uF 6.3V 20% MULTILAYER | PAN | ECJ-1VB0J106M |
| C85, C86, C87, C92, C95, C98, C103, C109, C133, C135 | 10 | 0402 CERAM 0.01uF 16V 10% | PAN | ECJ-0EB1C103K |
| C4, C5, C6, C7, C11, C13, C14, C15, C18, C23, C31, C37, C38, C39, C45, C48, C90, C91, C93, C94, C96, C97, C99, C100, C104, C105, C107, C108, C110, C111, C112, C115, C117, C118, C119, C120, C121, C122, C125, C126, C130, C132, C134, C152, C164, C165 | 46 | 0402 CERAM 0.1uF 16V 10% | PAN | ECJ-0EB1C104K |
| R1, R44, R50, R57, R58, R59, R101, R105, R106, R107, R108 | 11 | RES 0603 0.0 Ohm 1/16W 5% | PAN | ERJ-3GEY0R00V |
| R61, R63, R70, R79, R87, R94, R96, R98, R100 | 9 | RES 0603 22.1 Ohm 1/16W 1% | PAN | ERJ-3EKF22R1V |
| R5, R6 | 2 | RES 0603 33.2 Ohm 1/16W 1% | PAN | ERJ-3EKF33R2V |
| R60, R62, R69, R78, R86, R93, R95, R97, R99 | 9 | RES 0603 42.2 Ohm 1/16W 1% | PAN | ERJ-3EKF42R2V |
| R3, R109, R110, R111, R112, R113, R114, R115 | 8 | RES 0603 332 Ohm 1/16W 1% | PAN | ERJ-3EKF3320V |
| R4, R7, R8, R12, R19, R26, R46, R47, R49, R51, R53, R56, R104, R116, R117, R118, R119 | 17 | RES 0603 10.0K Ohm 1/16W 1% | PAN | ERJ-3EKF1002V |
| R55 | 1 | RES 0603 100K Ohm 1/16W 1% | PAN | ERJ-3EKF1003V |
| R2 | 1 | RES 0603 1.00M Ohm 1/16W 1% | PAN | ERJ-3EKF1004V |
| C67, C71, C131, C153, R9, R10, R11, R21, R22, R24, R28, R30, R33, R35, R38, R40, R42, R48, R52, R54, R65, R72, R82, R89 | 24 | RES 0402 0 OHM 1/10W 5% | PAN | ERJ-2GE0R00X |
| R74, R77, R80, R102, R103 | 5 | RES 0402 49.9 OHM 1/16W 1% | PAN | ERJ-2RKF49R9X |
| R23, R29, R34, R39, R43 | 5 | RES 0402 100 OHM 1/16W 1% | PAN | ERJ-2RKF1000X |
| R123, R124, R125, R127 | 4 | RES 0402 1.00 KOHM 1/16W 1% | PAN | ERJ-2RKF1001X |
| R68, R76, R85, R92 | 4 | RES 0402 1.37 KOHM 1/16W 1% | PAN | ERJ-2RKF1371X |
| RP1, RP2 | 2 | RESISTOR, 4 PACK, 10K OHM 5PCT QUAD 0603 | PAN | EXB-V8V103JX |
| FB1, FB2, FB3, FB4, FB5, FB6, FB7, FB8, FB9, FB10, FB11, FB12, FB13, FB14 | 14 | GHZ NOISE CHIP FERRITE BEAD, .25 OHM DC, 600 OHM @100MHz, 600 OHM @1GHz, 800mA | MURATA | BLM18HE601SN1D |
| D1 | 1 | DIODE 1A 50V SMD | DIODES INC | S1AB-13-F |

| DESIGNATION | QTY | DESCRIPTION | SUPPLIER | PART |
|---|-----|--|-----------|------------------|
| D2, D3, D4, D5 | 4 | SCHOTTKY DIODE, 1 AMP 40 VOLT | IRF | 10BQ040PBF |
| DS2, DS3, DS4, DS5, DS6, DS8 | 6 | LED, RED, SMD | PAN | LN1251C |
| DS1, DS7 | 2 | L_LED, GREEN, SMD | PAN | LN1351C |
| Y1 | 1 | XTAL, HC49SD, 12.0000MHz +/-50PPM, CL=20PF | FOX | FOXSDLF-120-20 |
| Y2 | 1 | OSCILLATOR, CONNOR-WINFIELD TCXO, 3.3V, 12.8 MHZ, 4 PIN SMD | CONWIN | MX602-012.8M |
| U1 | 1 | IC, HCS08 8-BIT MICROCONTROLLER, 32K FLASH, 2K RAM, 2 UART, 2 SPI, I2C, USB, -40 TO 85C, 64 PIN LQFP | FREESCALE | MC9S08JM32CLH-ND |
| U2 | 1 | DS31407 2-INPUT, 14-OUTPUT SINGLE DPLL TIMING IC WITH SUB-PS OUTPUT JITTER | MICROSEMI | DS31407GN+ |
| U3 | 1 | LVDS LINE DRIVER WITH ULTRA-LOW SKEW, 8 PIN SOIC | MAX | MAX9110ESA+ |
| U4, U5 | 2 | LINEAR REGULATOR, 1.8V, 16 PIN TSSOP-EP, ROHS/LEAD-FREE | MAX | MAX1793EUE18+ |
| U6, U7, U8 | 3 | LINEAR REGULATOR, 3.3V, 16 PIN TSSOP-EP | MAX | MAX1793EUE-33 |
| U9 | 1 | MICROPROCESSOR VOLTAGE MONITOR, 3.08V RESET, 4PIN SOT143, LEAD-FREE | MAX | MAX811TEUS+T |
| U10, U11, U12, U13, U14, U15, U16, U17, U18, U19, U20, U21, U22, U23, U24, U25, U26, U27, U29, U30, U31, U32, U33, U34, U35 | 25 | TINYLOGIC HIGH SPEED 2-INPUT XOR GATE, 5-PIN SOT23 | FAIRCHILD | NC7SZ86M5X |
| U28 | 1 | 670MHZ ANYTHING-TO-LVDS 1 TO 2 SPLITTER, 10-PIN UMAX | MAX | MAX9175EUB+ |
| SW1 | 1 | SWITCH MOM 4PIN SINGLE POLE | PAN | EVQPAE04M |
| SW2 | 1 | SWITCH 16PIN DIP, 8POS SPST, TOP ACTUATED ROCKER | TYCO | 5435668-7 |
| J1, J2, J10, J12, J13, J18, J21, J27 | 8 | CONNECTOR, SMA, 50 OHM EDGE MOUNT | JOHNSON | 142-0701-851 |
| J5 | 1 | CONN, 2.1MM/5.5MM POWER JACK, RT ANGLE, 24VDC@5A | CUI | PJ-002AH |
| J6 | 1 | CONN, USB, TYPE B SINGLE RT ANGLE | MOL | 67068-8000 |
| J7 | 1 | SOCKET, BANANA PLUG, HORIZONTAL, RED | MSR | 164-6219 |
| J8 | 1 | SOCKET, BANANA PLUG, HORIZONTAL, BLACK | MSR | 164-6218 |
| J9 | 1 | L_TERMINAL STRIP, 6 PIN, DUAL ROW, VERT | STC | TSW-103-07-T-D |
| J11, J40, J52 | 3 | L_TERMINAL STRIP, 10 PIN, DUAL ROW, VERT | STC | TSW-105-07-T-D |
| J15, J16, J19, J23, J24, J26, J28, J29, J32, J33, J37, J41, J45, J46, J47, J48, J49, J50, J51 | 19 | CONNECTOR, SMB, 50 OHM VERTICAL, 5PIN | AMP | 413990-1 |
| JMP1, JMP2, JMP6, JMP7, JMP8, JMP9, JMP10, JMP11, JMP13 | 9 | L_HEADER, 3-PIN, .100 CENTERS, VERTICAL | STC | TSW-103-07-T-S |
| JMP3, JMP4, JMP5, JMP12, JMP14 | 5 | L_2 PIN HEADER, .100 CENTERS, VERTICAL | STC | TSW-102-07-T-S |

Not Populated:

Y3, Y4, Y5

C22, C24, C25, C26, C27, C28, C29, C30, C68, C88, C89, C106, C116, C127, C146, C162

R13, R14, R15, R16, R17, R18, R20, R25, R27, R31, R32, R36, R37, R41, R45, R64, R66, R67, R71, R73, R75, R81, R83, R84, R88, R90, R91, R120, R121, R122, R126

J3, J4, J10, J12, J14, J17, J20, J22, J23, J24, J25, J26, J30, J31, J32, J34, J35, J36, J37, J38, J39, J41, J42, J43, J44

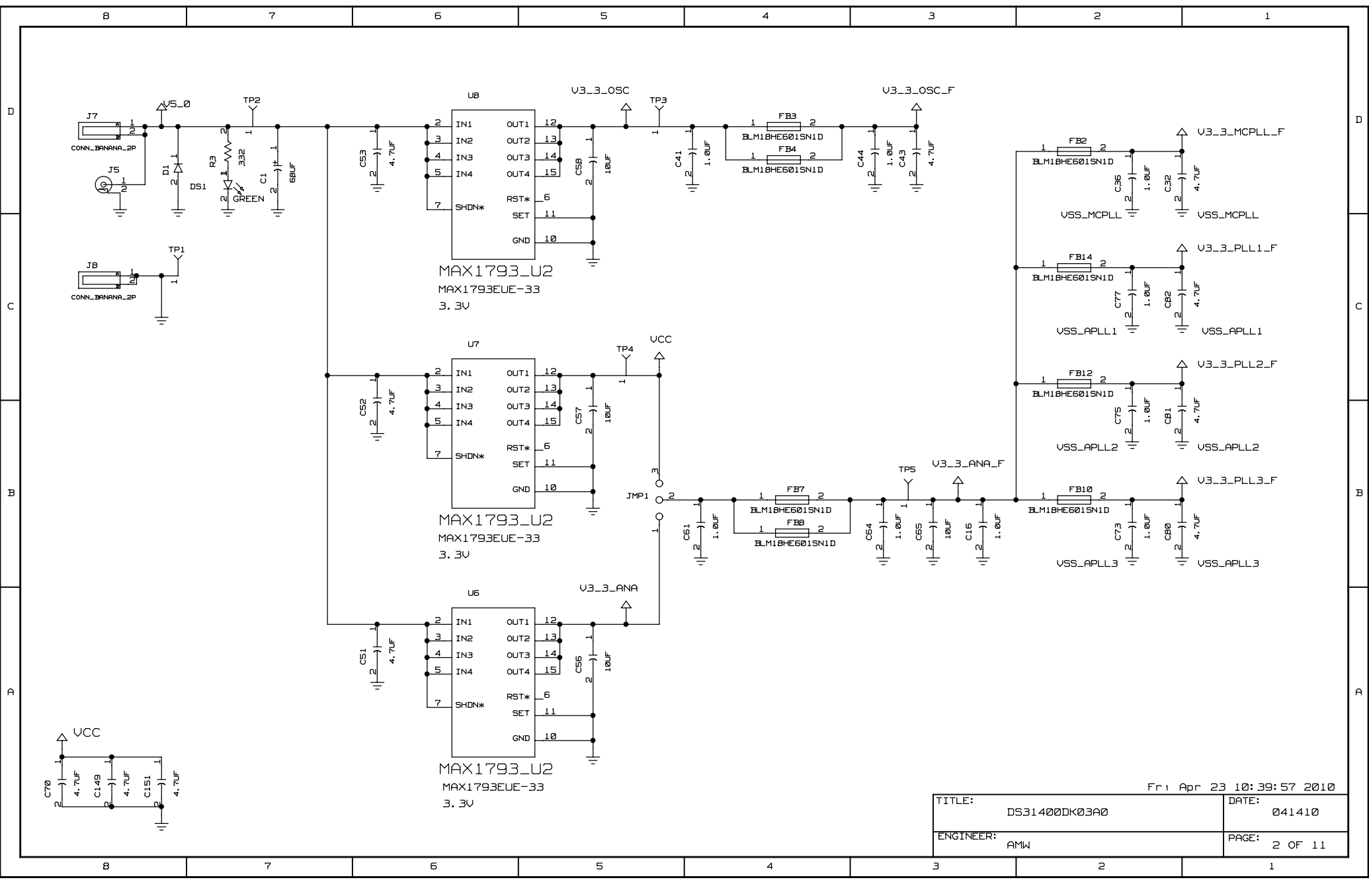
9. Schematics

The DS31407DK board design is a bill of materials modification of the DS31400DK. See the following pages for the DS31400DK schematics. The list of DS31407DK components that are not populated in the DS31407DK board is shown at the end of section 8 above.

DS31400 DK BOARD

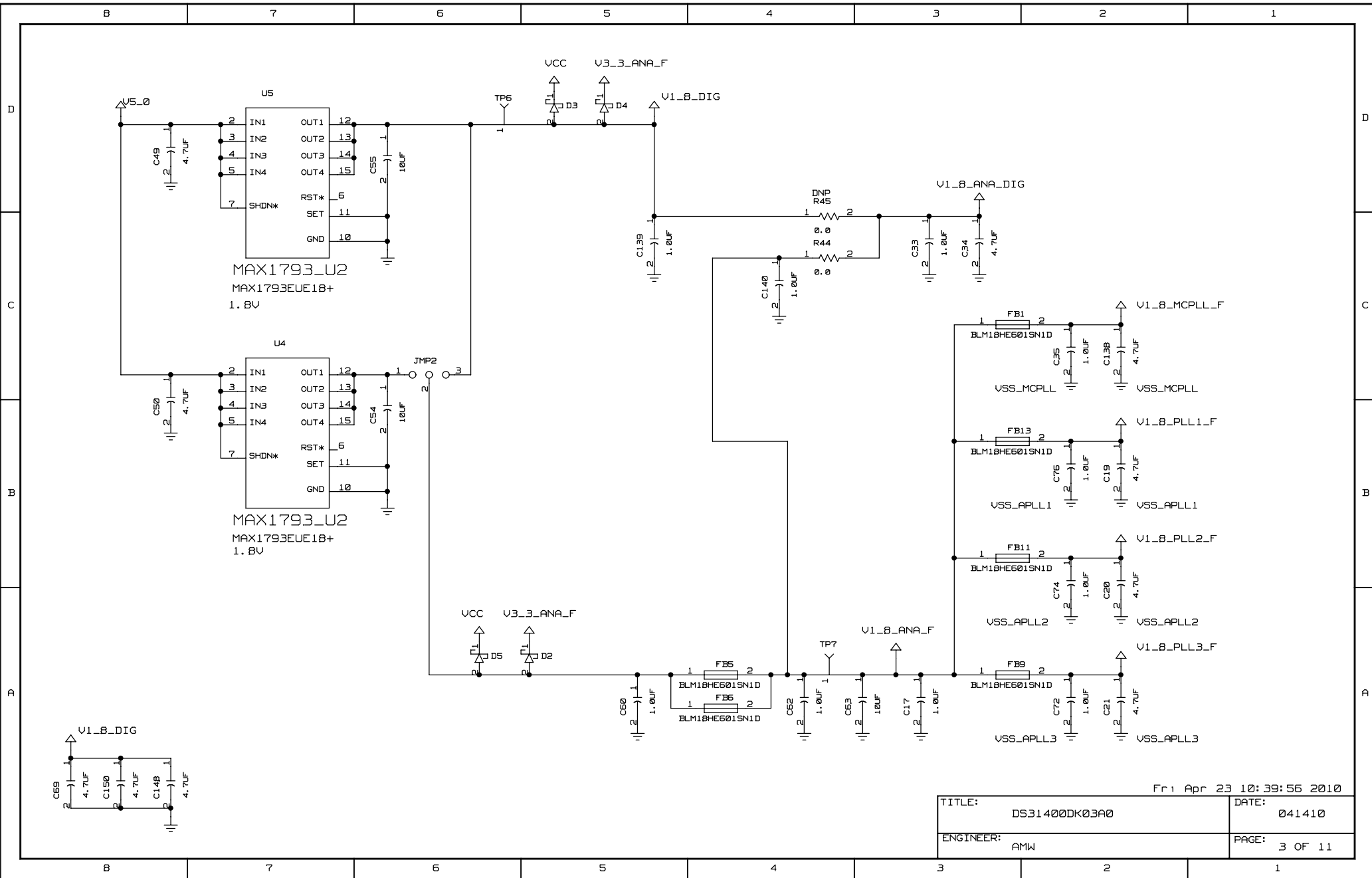
Wed Apr 14 17:14:06 2010

| | | | |
|-----------|---------------|-------|---------|
| TITLE: | DS31400DK03A0 | DATE: | 041410 |
| ENGINEER: | AMW | PAGE: | 1 OF 11 |



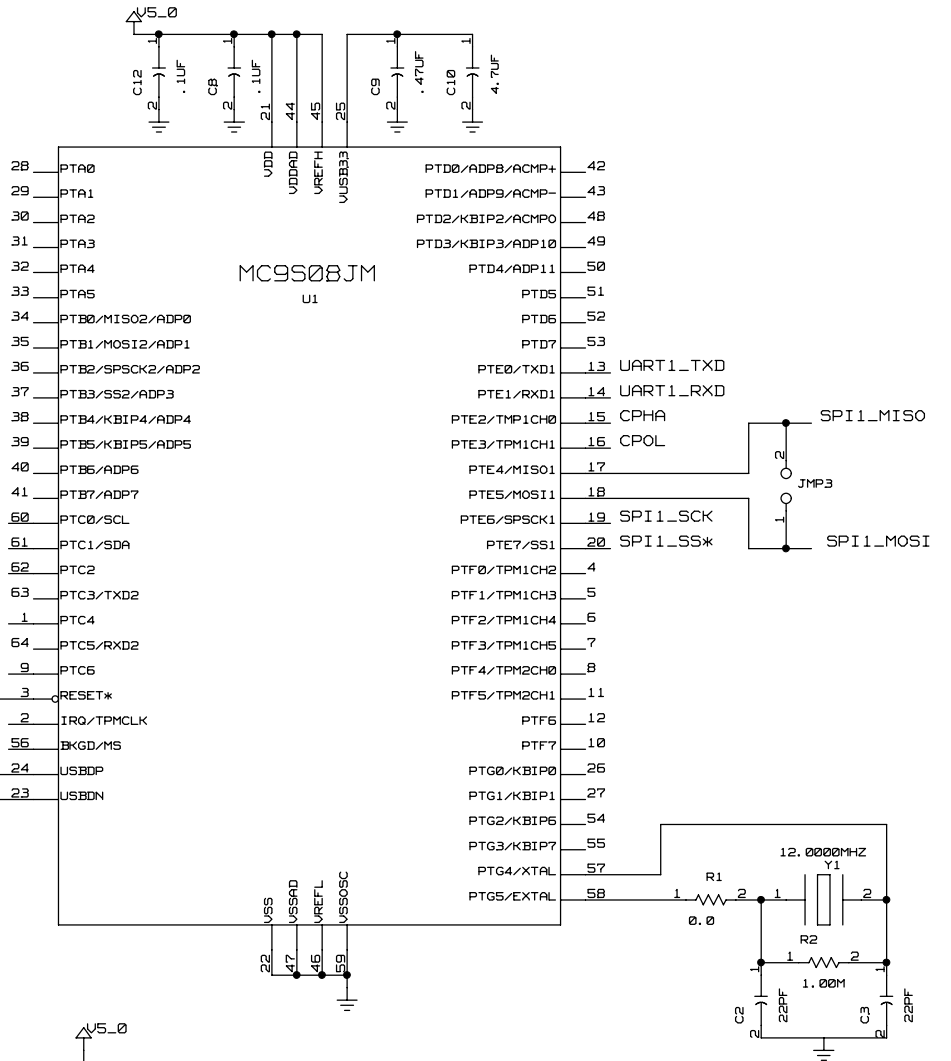
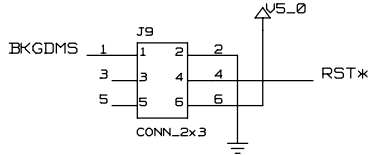
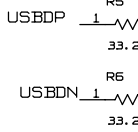
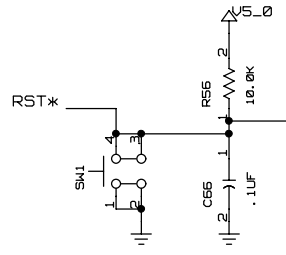
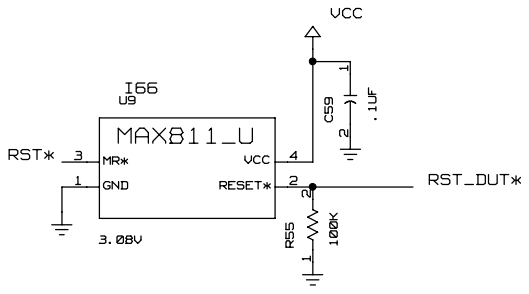
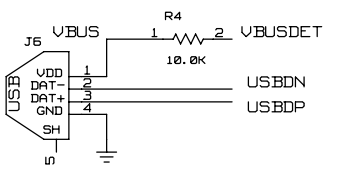
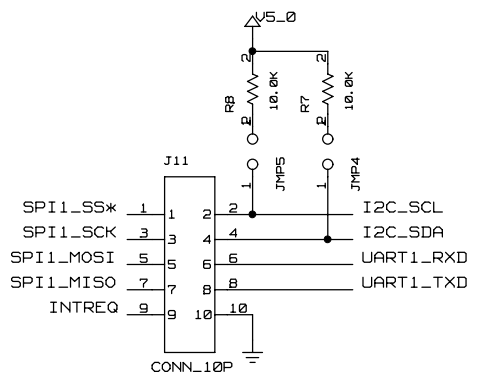
Fr 1 Apr 23 10:39:57 2010

| | | | |
|-----------|---------------|-------|---------|
| TITLE: | DS31400DK03A0 | DATE: | 041410 |
| ENGINEER: | AMW | PAGE: | 2 OF 11 |



Fr 1 Apr 23 10:39:56 2010

| | | | |
|-----------|---------------|-------|---------|
| TITLE: | DS31400DK03A0 | DATE: | 041410 |
| ENGINEER: | AMW | PAGE: | 3 OF 11 |



| | |
|---------------------------|---------------|
| Fr 1 Apr 23 10:39:58 2010 | |
| TITLE: DS31400DK03A0 | DATE: 041410 |
| ENGINEER: AMW | PAGE: 4 OF 11 |

B 7 6 5 4 3 2 1

D

D

C

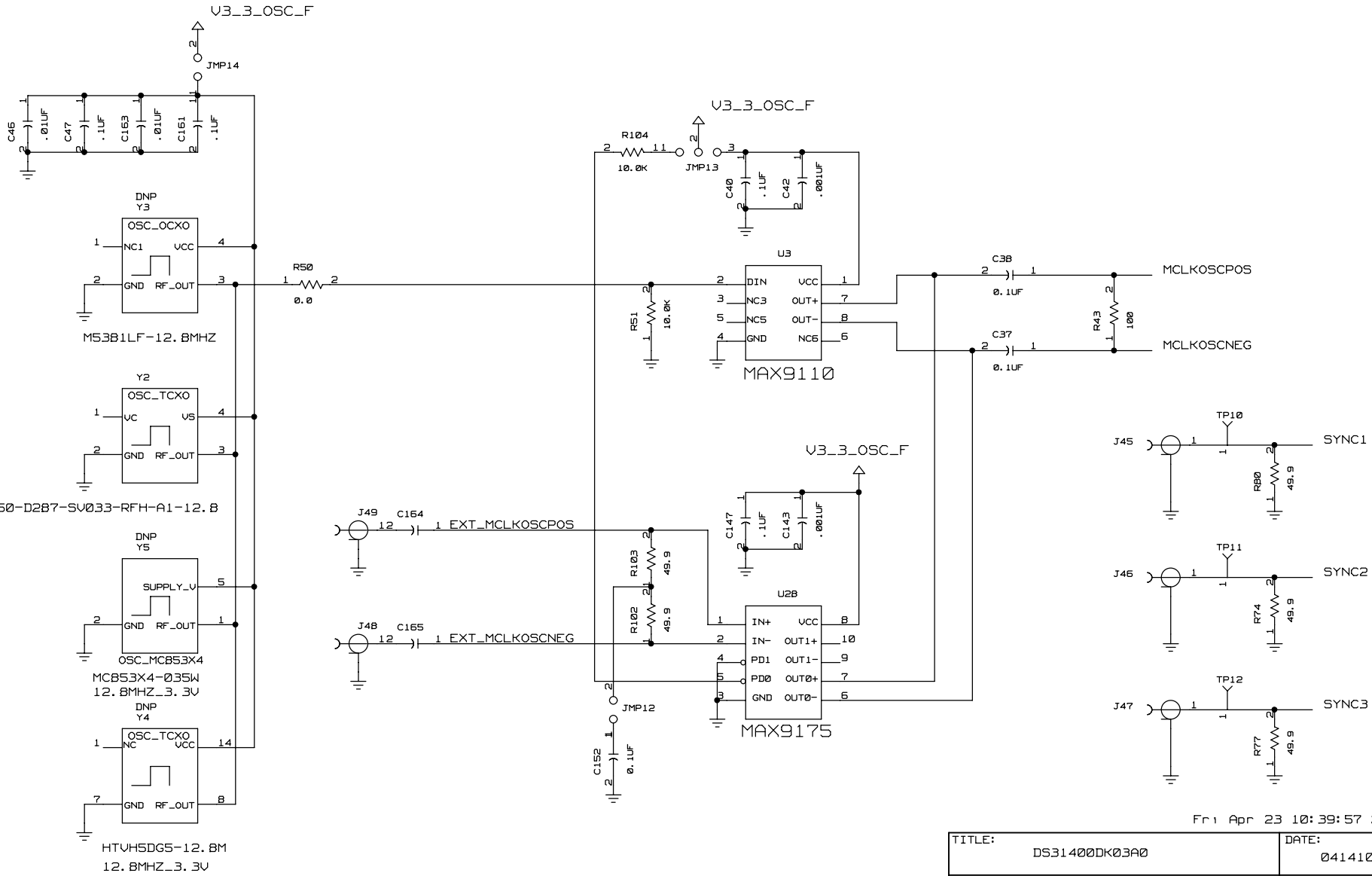
C

B

B

A

A



Fri Apr 23 10:39:57 2010

| | | | |
|-----------|---------------|-------|---------|
| TITLE: | DS31400DK03A0 | DATE: | 041410 |
| ENGINEER: | AMW | PAGE: | 5 OF 11 |

B 7 6 5 4 3 2 1