



Chipsmall Limited consists of a professional team with an average of over 10 year of expertise in the distribution of electronic components. Based in Hongkong, we have already established firm and mutual-benefit business relationships with customers from,Europe,America and south Asia,supplying obsolete and hard-to-find components to meet their specific needs.

With the principle of "Quality Parts,Customers Priority,Honest Operation,and Considerate Service",our business mainly focus on the distribution of electronic components. Line cards we deal with include Microchip,ALPS,ROHM,Xilinx,Pulse,ON,Everlight and Freescale. Main products comprise IC,Modules,Potentiometer,IC Socket,Relay,Connector.Our parts cover such applications as commercial,industrial, and automotives areas.

We are looking forward to setting up business relationship with you and hope to provide you with the best service and solution. Let us make a better world for our industry!



Contact us

Tel: +86-755-8981 8866 Fax: +86-755-8427 6832

Email & Skype: info@chipsmall.com Web: www.chipsmall.com

Address: A1208, Overseas Decoration Building, #122 Zhenhua RD., Futian, Shenzhen, China



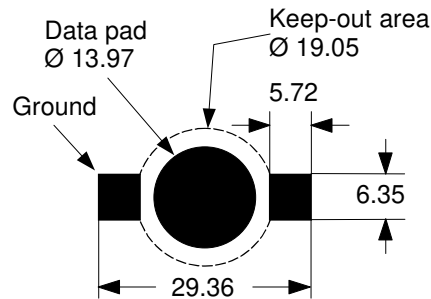
FEATURES

- Compact Single-Piece, All-Metal Clip for *i*button[®] Mounting
- Lowest Profile *i*Button Mount
- Made from 0.25mm Thick Tin-Plated Phosphor Bronze
- Withstands High Temperatures Required for Surface Mounting
- Can be Soldered, Riveted, or Screw-Mounted
- Compatible with Leaded and Lead-Free Solder Processes
- Available for F3 and F5 *i*Button

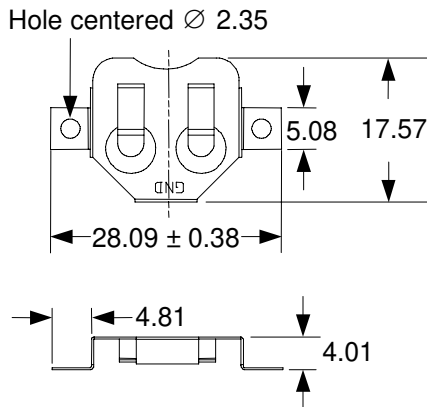
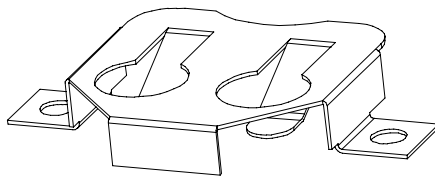
ORDERING INFORMATION

- | | |
|------------|-----------------------------|
| DS9094SM3+ | Clip for F3 <i>i</i> Button |
| DS9094SM5+ | Clip for F5 <i>i</i> Button |

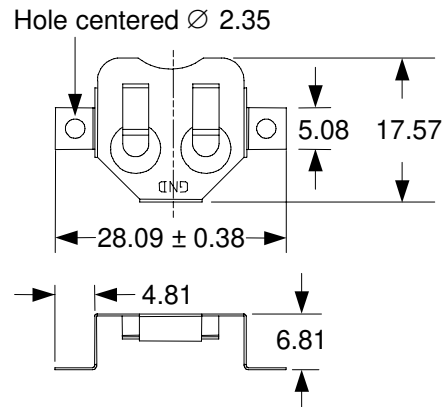
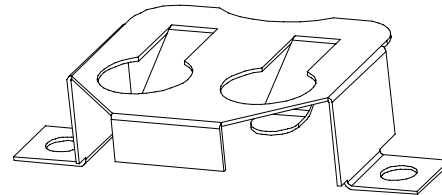
MOUNTING PAD LAYOUT



DS9094SM3



DS9094SM5



All dimensions are in millimeters.

DESCRIPTION

The DS9094SM is a low-cost, surface-mount device that retains a 16.3mm *i*Button on a printed circuit board. Two springs that double as ground contacts press the *i*Button to the data pad on the printed circuit board. The *i*Button can be inserted and extracted without special tools. For best results the data contact on the printed circuit board should be plated with a layer of minimum 0.76µm hard gold over minimum 3.81µm nickel.

*i*Button is a registered trademark of Dallas Semiconductor.