



Chipsmall Limited consists of a professional team with an average of over 10 year of expertise in the distribution of electronic components. Based in Hongkong, we have already established firm and mutual-benefit business relationships with customers from,Europe,America and south Asia,supplying obsolete and hard-to-find components to meet their specific needs.

With the principle of "Quality Parts,Customers Priority,Honest Operation,and Considerate Service",our business mainly focus on the distribution of electronic components. Line cards we deal with include Microchip,ALPS,ROHM,Xilinx,Pulse,ON,Everlight and Freescale. Main products comprise IC,Modules,Potentiometer,IC Socket,Relay,Connector.Our parts cover such applications as commercial,industrial, and automotives areas.

We are looking forward to setting up business relationship with you and hope to provide you with the best service and solution. Let us make a better world for our industry!



## Contact us

Tel: +86-755-8981 8866 Fax: +86-755-8427 6832

Email & Skype: info@chipsmall.com Web: www.chipsmall.com

Address: A1208, Overseas Decoration Building, #122 Zhenhua RD., Futian, Shenzhen, China



## DESCRIPTION

The DS9094F iButton PCB Clip holds an iButton and connects to a printed circuit board. By deflecting the spring clip in the molded housing, an iButton can be inserted and extracted without special tools. If reverse insertion is attempted, the beveled edge on the housing prevents contact.

## FEATURES

- Low-cost holder for F5 size iButton (see DS9094SM for F3 holder)
- Printed circuit board mount
- Contacts are gold plated
- Flammability rating: UL94V-O
- Two versions:
  - DS9094F for F5 size iButton
  - DS9094FS for surface mounting F5 size iButton

## ORDERING INFORMATION

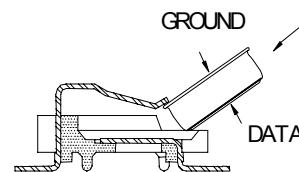
PART	TEMP RANGE	PIN-PACKAGE
DS9094F+	-40°C to 85°C	<sup>1</sup> Through-hole mount F5 can
DS9094FS+	-40°C to 85°C	<sup>2</sup> Surface mount F5 can

<sup>1</sup>NOTE: Wave- or hand-solder only; do not reflow.

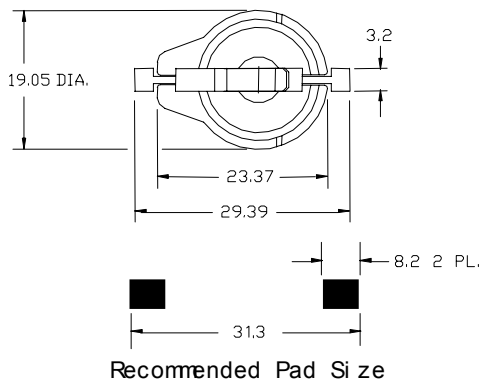
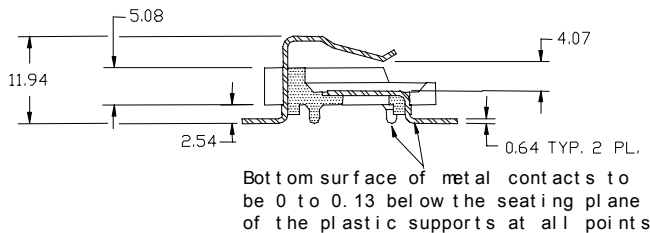
<sup>2</sup>NOTE: Hand-solder only; do not reflow.

+ Denotes lead-free compliance.

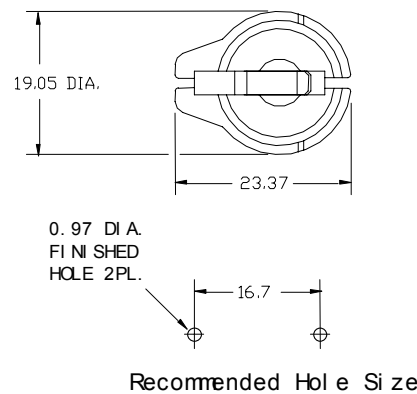
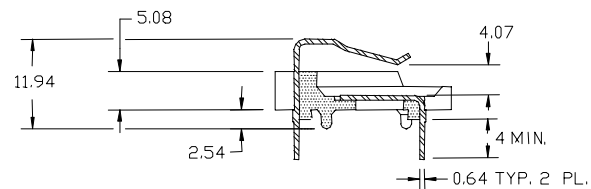
## INSERTION OF iButton



### DS9094FS



### DS9094F



All dimensions in millimeters.

iButton is a registered trademark of Maxim Integrated Products, Inc.

**REVISION HISTORY**

<b>REVISION DATE</b>	<b>DESCRIPTION</b>	<b>PAGES CHANGED</b>
051606	Original release	—
072308	Updated the soldering notes.	1