



Chipsmall Limited consists of a professional team with an average of over 10 year of expertise in the distribution of electronic components. Based in Hongkong, we have already established firm and mutual-benefit business relationships with customers from,Europe,America and south Asia,supplying obsolete and hard-to-find components to meet their specific needs.

With the principle of “Quality Parts,Customers Priority,Honest Operation,and Considerate Service”,our business mainly focus on the distribution of electronic components. Line cards we deal with include Microchip,ALPS,ROHM,Xilinx,Pulse,ON,Everlight and Freescale. Main products comprise IC,Modules,Potentiometer,IC Socket,Relay,Connector.Our parts cover such applications as commercial,industrial, and automotives areas.

We are looking forward to setting up business relationship with you and hope to provide you with the best service and solution. Let us make a better world for our industry!



## Contact us

Tel: +86-755-8981 8866 Fax: +86-755-8427 6832

Email & Skype: info@chipsmall.com Web: www.chipsmall.com

Address: A1208, Overseas Decoration Building, #122 Zhenhua RD., Futian, Shenzhen, China



Storage Choke, high design



**Description**

- Storage choke
- THT-terminals
- Inductor vertically positioned in housing
- Constant inductance at high alternating field modulation and large DC magnetization
- Reduced magnetic reversal

**Standards**

- EN 60938

**Applications**

- Storage of energy in switched power supplies
- Switch-mode
- Chopper amplifiers
- DC drives and stepper motor controls

**Weblinks**

[pdf datasheet](#), [html-datasheet](#), [General Product Information](#), [Approvals](#), [CE declaration of conformity](#), [RoHS](#), [CHINA-RoHS](#), [REACH](#), [Distributor-Stock-Check](#), [Detailed request for product](#), [SPICE Library](#)

**Technical Data**

Rated voltage	up to 600VDC
Rated Current	0.45 - 4.5A @ Ta 70 °C
Rated inductance	0.01 - 2mH, Tol. ±15%
Power Operating Frequency	up to 1 MHz
Terminal Type	THT
Weight	4 - 30g
Material: Housing	UL 94V-0
Sealing Compound	UL 94V-0

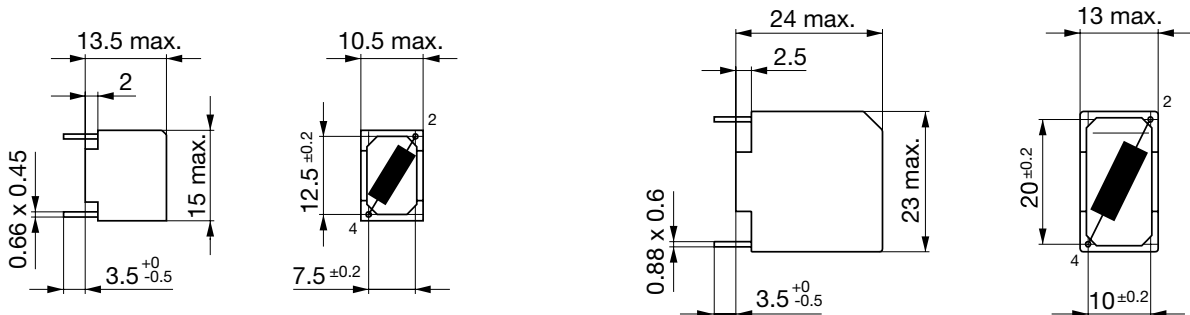
Isolation Voltage	2 kV eff., winding to ambient
Climatic Category	40/125/21 acc. to IEC 60068-1
Allowable Operation Temp.	-40°C to 125°C

Detailed information on product approvals, code requirements, usage instructions and detailed test conditions can be looked up in [General Product Information](#)

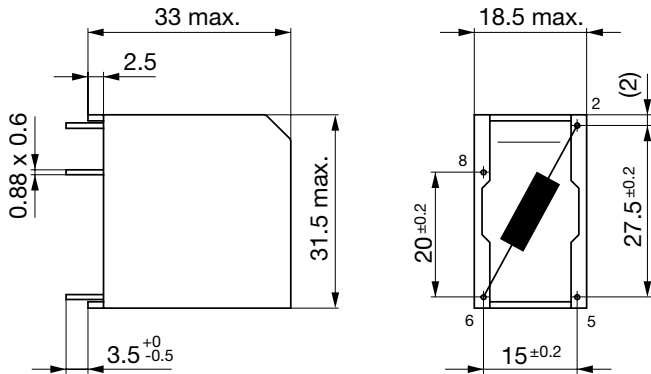
**Dimension**

Case 01-1

Case 09-1

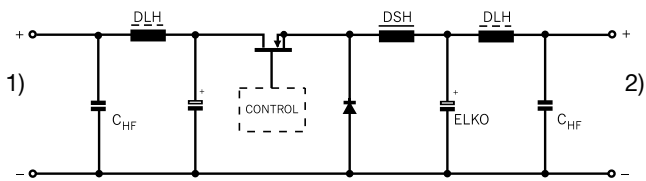


Case 19-1



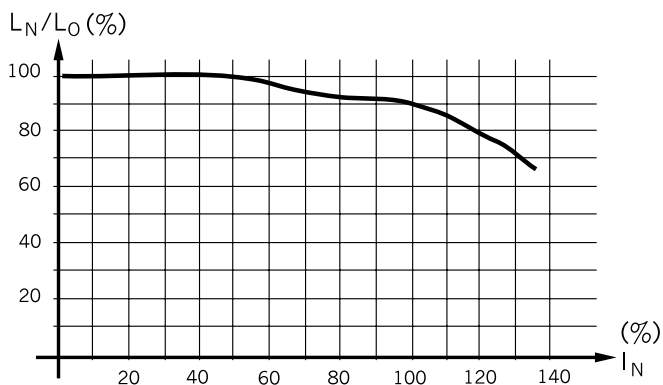
Diagrams

Application in DC-DC Converter



- 1) DC-Input unregulated
- 2) DC-Output regulated

Derating Curves



Inductance variation as function of the magnetizing current

All Variants

$I_n$ [A]	$L_n$ [mH]	$R_{cu}$ [mΩ]	$f_{RES}$ [MHz]	Weight [g]	Housings	Packing unit [pcs.]	Order Number
0.6	0.14	280	8	4 g	01-1	100	DSH-14-0001
1	0.05	100	12	4 g	01-1	100	DSH-14-0002
2	0.012	25	35	4 g	01-1	100	DSH-14-0003
0.45	2	1250	0.4	14 g	09-1	50	DSH-22-0001
0.63	1	750	1.8	14 g	09-1	50	DSH-22-0002
1	0.4	300	3	14 g	09-1	50	DSH-22-0003
1.4	0.2	160	4.8	14 g	09-1	50	DSH-22-0004
1.8	0.12	90	6.5	14 g	09-1	50	DSH-22-0005
3.15	0.04	33	14	14 g	09-1	50	DSH-22-0006
4.5	0.01	8	35	14 g	09-1	50	DSH-22-0008
4.5	0.02	20	-	14 g	09-1	50	DSH-22-0007
1.6	0.5	240	2.5	29 g	19-1	70	DSH-31-0001
2	0.3	140	3.5	29 g	19-1	70	DSH-31-0002
3.15	0.15	40	-	30 g	19-1	70	DSH-31-0003
4	0.1	40	6.5	30 g	19-1	70	DSH-31-0004
4.5	0.035	15	13	30 g	19-1	70	DSH-31-0005

■ Most Popular.

Availability for all products can be searched real-time:<http://www.schurter.com/en/Stock-Check/Stock-Check-SCHURTER>