



Chipsmall Limited consists of a professional team with an average of over 10 year of expertise in the distribution of electronic components. Based in Hongkong, we have already established firm and mutual-benefit business relationships with customers from,Europe,America and south Asia,supplying obsolete and hard-to-find components to meet their specific needs.

With the principle of “Quality Parts,Customers Priority,Honest Operation,and Considerate Service”,our business mainly focus on the distribution of electronic components. Line cards we deal with include Microchip,ALPS,ROHM,Xilinx,Pulse,ON,Everlight and Freescale. Main products comprise IC,Modules,Potentiometer,IC Socket,Relay,Connector.Our parts cover such applications as commercial,industrial, and automotives areas.

We are looking forward to setting up business relationship with you and hope to provide you with the best service and solution. Let us make a better world for our industry!



Contact us

Tel: +86-755-8981 8866 Fax: +86-755-8427 6832

Email & Skype: info@chipsmall.com Web: www.chipsmall.com

Address: A1208, Overseas Decoration Building, #122 Zhenhua RD., Futian, Shenzhen, China



SOLENOID PRODUCT SPECIFICATION

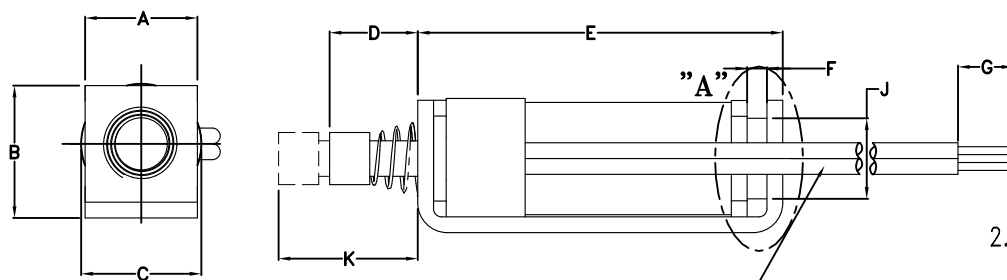
PART No.	VOLTAGE	DUTY CYCLE	POWER (W)	CURRENT (A)	DCR (Ω) *
DSML-0224-24	24 VDC	0.2%, 20 msec On.	13	0.54	44
DSML-0224-18	18 VDC	0.2%, 20 msec On.	13	0.73	24.6
DSML-0224-12	12 VDC	0.2%, 20 msec On.	12	1.0	12
DSML-0224-09	9 VDC	0.2%, 20 msec On.	11.2	1.22	7.4
DSML-0224-05	5 VDC	0.2%, 20 msec On.	13	2.62	1.9

* OPERATION: POWER TO PULL AND RELEASE, BUILT-IN RETURN SPRING.

* DCR VALUES ARE ±10% AT 25°C

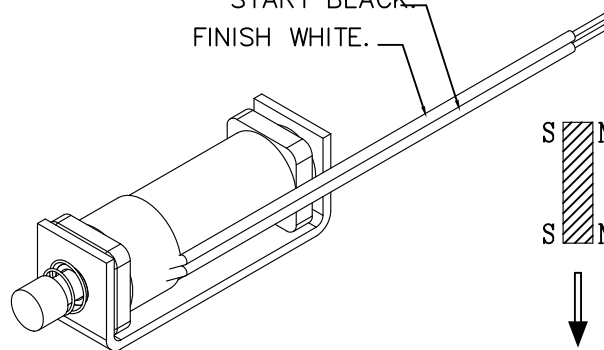
* WEIGHT ARE 5.5 GRAMS ±10%

1. MECHANICAL DIMENSIONS :

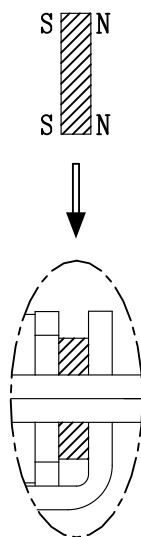


LEAD WIRE.
(NOTE 1)

START BLACK.
FINISH WHITE.

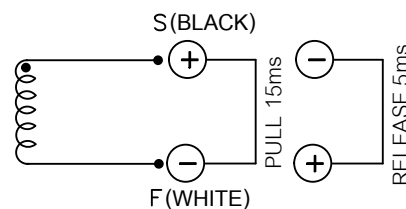


ISOMETRIC VIEW



**MAGNET DIRECTION
DETAIL "A"**

2. SCHEMATIC AND CONSTRUCTION :

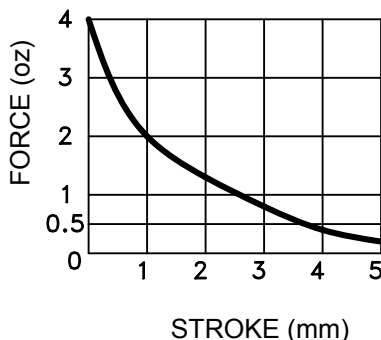


UNIT : mm.

- A = 7.11 ± 0.1
- B = 8.38 ± 0.1
- C = 8.35 MAX.
- D = 5.58 ± 0.2
- E = 23.11 ± 0.2
- F = 1.00±0.05
- G = 4.0 ± 1.0
- H = ø3.30 ± 0.1
- I = 2.54 ± 0.1
- J = 5.04 ± 0.05
- K = 11.5 ± 0.5

UNLESS TOLERANCES.

- X.X = ±0.4
- X.XX = ±0.15
- ANGLES = ± 0.5°



INSULATION MATERIALS: UL CONSTRUCTION, CLASS A 105°C
 LIFE EXPECTANCY: 100K CYCLES OPERATIONS

LAYER TEST	IR. @500 Vdc.	HI-POT
(S-F) : 500Vp. MIN.	COIL TO FRAME	@50/60Hz.,2mA
TEST ONLY COIL	30 MOHM MIN.	COIL TO FRAME
		500Vac., 1s