



Chipsmall Limited consists of a professional team with an average of over 10 year of expertise in the distribution of electronic components. Based in Hongkong, we have already established firm and mutual-benefit business relationships with customers from,Europe,America and south Asia,supplying obsolete and hard-to-find components to meet their specific needs.

With the principle of “Quality Parts,Customers Priority,Honest Operation,and Considerate Service”,our business mainly focus on the distribution of electronic components. Line cards we deal with include Microchip,ALPS,ROHM,Xilinx,Pulse,ON,Everlight and Freescale. Main products comprise IC,Modules,Potentiometer,IC Socket,Relay,Connector.Our parts cover such applications as commercial,industrial, and automotives areas.

We are looking forward to setting up business relationship with you and hope to provide you with the best service and solution. Let us make a better world for our industry!



Contact us

Tel: +86-755-8981 8866 Fax: +86-755-8427 6832

Email & Skype: info@chipsmall.com Web: www.chipsmall.com

Address: A1208, Overseas Decoration Building, #122 Zhenhua RD., Futian, Shenzhen, China



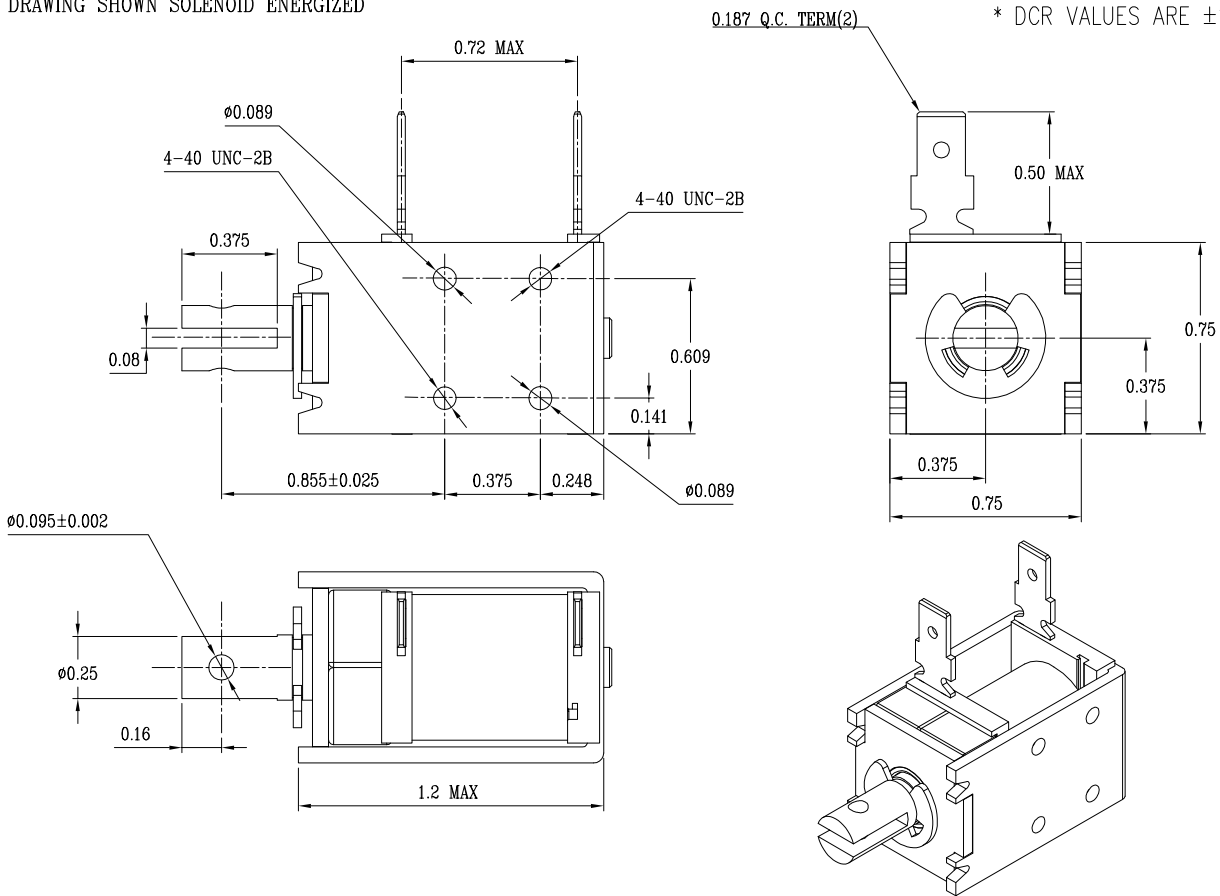
SOLENOID PRODUCT SPECIFICATION

PART No.	VOLTAGE	DUTY CYCLE	POWER (W)	CURRENT (A)	DCR (Ω) *	Release Volts
DSML-0630-12C	12 VDC	100%	4	0.4	38	6.5-8.5
DSML-0630-12E	12 VDC	25%, 60sec On	9	0.8	16	4.0-6.0
DSML-0630-12P	12 VDC	10%, 0.1sec On	40	3.4	3.6	2.0-3.0
DSML-0630-18C	18 VDC	100%	4	0.25	82	9.5-11.5
DSML-0630-18E	18 VDC	25%, 60sec On	9	0.5	38	6.0-8.0
DSML-0630-18P	18 VDC	10%, 0.1sec On	40	2.3	8	2.5-4.0
DSML-0630-24C	24 VDC	100%	4	0.2	144	15.0-17.0
DSML-0630-24E	24 VDC	25%, 60sec On	9	0.4	64	9.0-11.0
DSML-0630-24P	24 VDC	10%, 0.1sec On	40	1.8	14	3.5-5.5

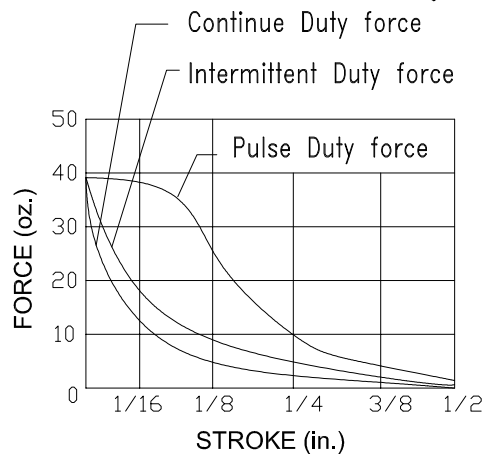
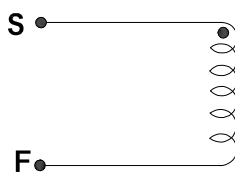
1. MECHANICAL DIMENSIONS :

DRAWING SHOWN SOLENOID ENERGIZED

* Release value are ±10% at 25°C.
 * DCR VALUES ARE ±10% AT 25°C



2. SCHEMATIC AND CONSTRUCTION :



UNIT : inch.

UNLESS TOLERANCES.

XX = ±0.02
 XX.X = ±0.01
 ANGLES = ±1°

INSULATION MATERIALS: UL CONSTRUCTION, CLASS B 130°C
 LIFE EXPECTANCY: 100K CYCLES OPERATIONS

LAYER TEST	IR. @500 Vdc.	HI-POT
(S-F) 500Vp. MIN.	COIL TO FRAME	@50/60Hz.,2mA
TEST ONLY COIL	50 MOHM MIN.	COIL TO FRAME
		1200Vac.,1s