



Chipsmall Limited consists of a professional team with an average of over 10 year of expertise in the distribution of electronic components. Based in Hongkong, we have already established firm and mutual-benefit business relationships with customers from,Europe,America and south Asia,supplying obsolete and hard-to-find components to meet their specific needs.

With the principle of “Quality Parts,Customers Priority,Honest Operation,and Considerate Service”,our business mainly focus on the distribution of electronic components. Line cards we deal with include Microchip,ALPS,ROHM,Xilinx,Pulse,ON,Everlight and Freescale. Main products comprise IC,Modules,Potentiometer,IC Socket,Relay,Connector.Our parts cover such applications as commercial,industrial, and automotives areas.

We are looking forward to setting up business relationship with you and hope to provide you with the best service and solution. Let us make a better world for our industry!



Contact us

Tel: +86-755-8981 8866 Fax: +86-755-8427 6832

Email & Skype: info@chipsmall.com Web: www.chipsmall.com

Address: A1208, Overseas Decoration Building, #122 Zhenhua RD., Futian, Shenzhen, China



SOLENOID PRODUCT SPECIFICATION

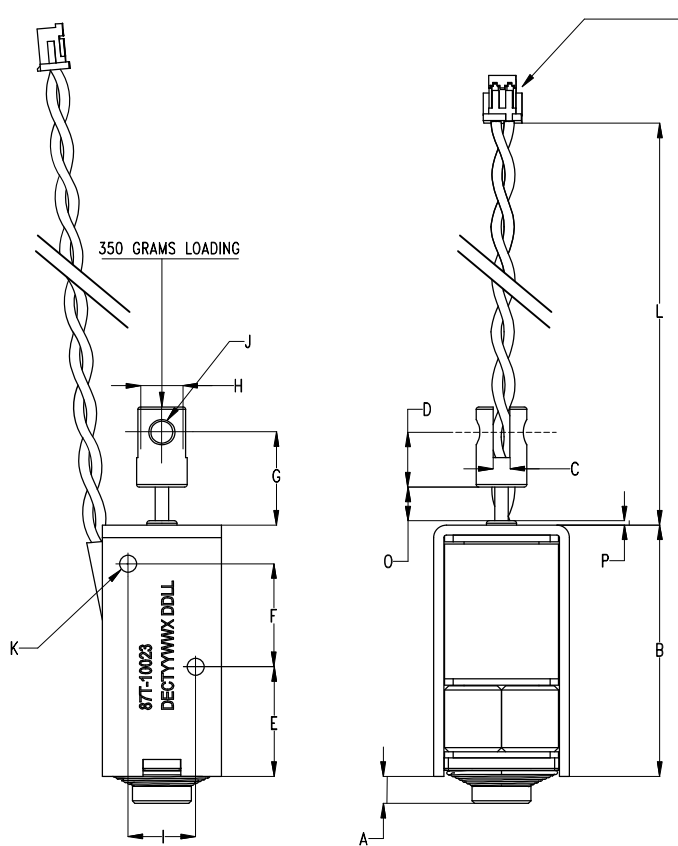
| PART No. | VOLTAGE | DUTY CYCLE | POWER (W) | CURRENT (A) | DCR (Ω) * |
|--------------|---------|---------------|-----------|-------------|-----------|
| DSMS-0730-24 | 24 VDC | 2%, 45msec On | 35 | 1.5 | 16 |
| DSMS-0730-18 | 18 VDC | 2%, 45msec On | 34 | 1.92 | 9.4 |
| DSMS-0730-12 | 12 VDC | 2%, 45msec On | 32 | 2.67 | 4.5 |
| DSMS-0730-09 | 9 VDC | 2%, 45msec On | 30 | 3.35 | 2.7 |
| DSMS-0730-05 | 5 VDC | 2%, 45msec On | 30 | 5.9 | 0.85 |

* OPERATION: POWER TO PUSH AND RELEASE, BUILT-IN RETURN SPRING.

* DCR VALUES ARE ±10% AT 25°C

* WEIGHT ARE 38 GRAMS ±10%

1. MECHANICAL DIMENSIONS :

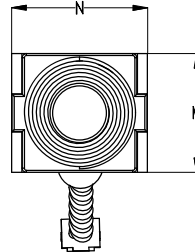


UNIT : mm.

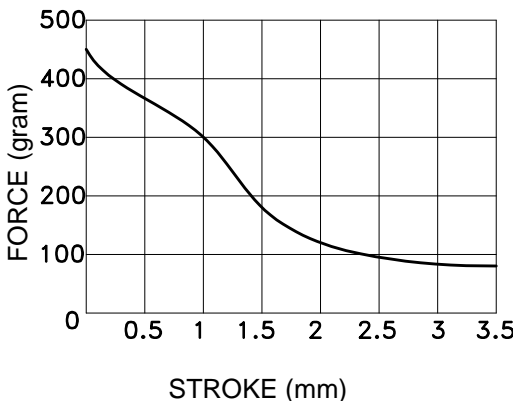
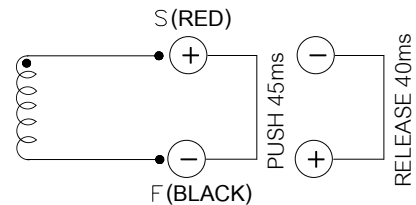
- A = 3.40 ± 0.2
 - B = 30.00 ± 0.25
 - C = 2.00 ± 0.1
 - D = 6.50 ± 0.1
 - E = 13.20 ± 0.2
 - F = 12.20 ± 0.2
 - G = 10.5 ± 0.1
 - H = ø6.0 ± 0.1
 - I = 8.00 ± 0.1
 - J = ø2.6 ± 0.1
 - K = 4-M2.6x0.45
 - L = 180 MIN.
 - M = 14.00 ± 0.2
 - N = 16.00 ± 0.2
 - O = 3.50 ± 0.1
 - P = 0.50 ± 0.1
- UNLESS TOLERANCES.

- X.X = ±0.2
- X.XX = ±0.1
- ANGLES = ±1°

EXTENT POSITION.



2. SCHEMATIC AND CONSTRUCTION :



| TEST CONDITION | FORCE TEST |
|--|---|
| 0 Vdc. | 450 GRAMS MIN. (MAGNET HOLDING WITHOUT SPRING) |
| NOMINAL VOLTAGE @25°C, 45±10ms PULSE WIDTH. | 350 GRAMS MIN. (PLUNGER PULL-IN FORCE) |
| NOMINAL VOLTAGE @25°C, 40±5ms PULSE WIDTH. | 350 GRAMS LOADING (DURING PLUNGER RELEASE) |

* NOMINAL OPERATION DUTY CYCLE: POWER ON 40ms / OFF 2 SEC

INSULATION MATERIALS: UL CONSTRUCTION, CLASS B 130°C
 LIFE EXPECTANCY: 100K CYCLES OPERATIONS

| | | |
|-------------------|---------------|---------------|
| LAYER TEST | IR. @500 Vdc. | HI-POT |
| (S-F) 500Vp. MIN. | COIL TO FRAME | @50/60Hz.,2mA |
| TEST ONLY COIL | 50 MOHM MIN. | COIL TO FRAME |
| | | 1200Vac.,1s |