



Chipsmall Limited consists of a professional team with an average of over 10 year of expertise in the distribution of electronic components. Based in Hongkong, we have already established firm and mutual-benefit business relationships with customers from,Europe,America and south Asia,supplying obsolete and hard-to-find components to meet their specific needs.

With the principle of “Quality Parts,Customers Priority,Honest Operation,and Considerate Service”,our business mainly focus on the distribution of electronic components. Line cards we deal with include Microchip,ALPS,ROHM,Xilinx,Pulse,ON,Everlight and Freescale. Main products comprise IC,Modules,Potentiometer,IC Socket,Relay,Connector.Our parts cover such applications as commercial,industrial, and automotives areas.

We are looking forward to setting up business relationship with you and hope to provide you with the best service and solution. Let us make a better world for our industry!



## Contact us

Tel: +86-755-8981 8866 Fax: +86-755-8427 6832

Email & Skype: info@chipsmall.com Web: www.chipsmall.com

Address: A1208, Overseas Decoration Building, #122 Zhenhua RD., Futian, Shenzhen, China







# How to install display rack...

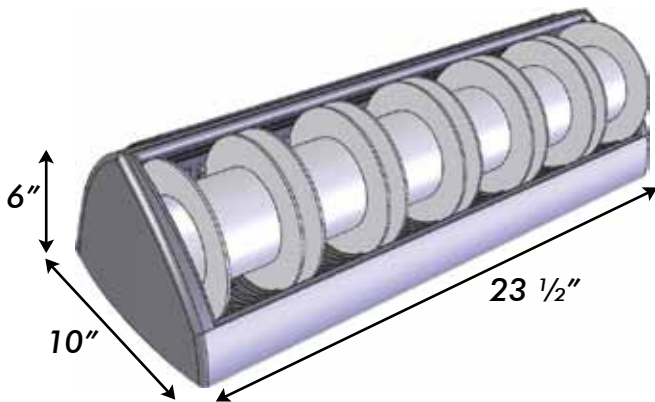
## Display Rack

Techflex Part # DSN0.00BK



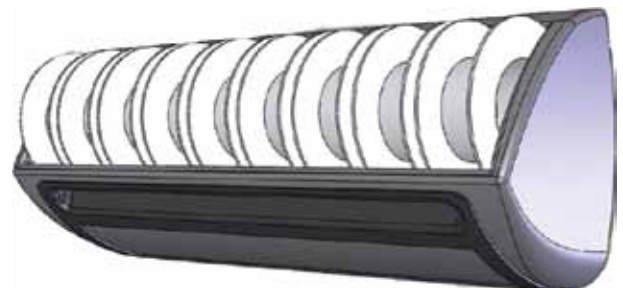
**For By-The-Foot Sales & Easy Access and Inventory Management**

Spool and product management is now simpler and more efficient than ever. Our new display/dispenser rack allows easy control of sleeving inventories and provides a controlled system of neatly dispensing directly from the spools. The rack is constructed from tough ABC plastic, with plenty of room for a wide range of products. The spools simply drop into the pre-formed slots and turn freely for dispensing. Full visibility and access ensures easy management of remaining inventory and simple drop-in replacement of empty spools.



←... Space saving, easy access design

Engineered for easy and secure wall mounting ...→



The display racks can be installed on:

- a). Slot Wall
- b). Grid Wall
- c). Counter
- d). Wall



# How to install display rack...

## a). SLOT WALL

**Step 1**  
Insert screws in Z plate.



**Step 2**  
Install plates on a slot wall.



**Step 3**  
Mount rack aligning screws.



**Step 4**  
Install nuts.



**Step 5**  
Display rack on a slot wall.



## b). GRID WALL

**Step 1**  
Insert screws through a grid wall hook into the back of a display rack.



**Step 2**  
Install nuts.



**Step 3**  
Hang display rack on a grid wall.



The display rack holds up to 6 - 3" spools.

## c). COUNTER

Place your display rack on any flat surface.



## d). WALL

Screw your display rack directly to the wall.



You can also add anchors for extra support.

