



Chipsmall Limited consists of a professional team with an average of over 10 year of expertise in the distribution of electronic components. Based in Hongkong, we have already established firm and mutual-benefit business relationships with customers from,Europe,America and south Asia,supplying obsolete and hard-to-find components to meet their specific needs.

With the principle of "Quality Parts,Customers Priority,Honest Operation,and Considerate Service",our business mainly focus on the distribution of electronic components. Line cards we deal with include Microchip,ALPS,ROHM,Xilinx,Pulse,ON,Everlight and Freescale. Main products comprise IC,Modules,Potentiometer,IC Socket,Relay,Connector.Our parts cover such applications as commercial,industrial, and automotives areas.

We are looking forward to setting up business relationship with you and hope to provide you with the best service and solution. Let us make a better world for our industry!



## Contact us

Tel: +86-755-8981 8866 Fax: +86-755-8427 6832

Email & Skype: info@chipsmall.com Web: www.chipsmall.com

Address: A1208, Overseas Decoration Building, #122 Zhenhua RD., Futian, Shenzhen, China



Storage Choke, open version, without socket



### Description

- Storage choke
- Wire leads
- Reduced magnetic reversal
- Constant inductance at high alternating field modulation and large DC magnetization
- Open version without socket and chassis

### Standards

- EN 60938

### Applications

- Storage of energy in switched power supplies
- Switch-mode
- Chopper amplifiers
- DC drives and stepper motor controls

### Weblinks

[pdf datasheet](#), [html-datasheet](#), [General Product Information](#), [Approvals](#), [CE declaration of conformity](#), [RoHS](#), [CHINA-RoHS](#), [REACH](#), [Distributor-Stock-Check](#), [Detailed request for product](#), [SPICE Library](#)

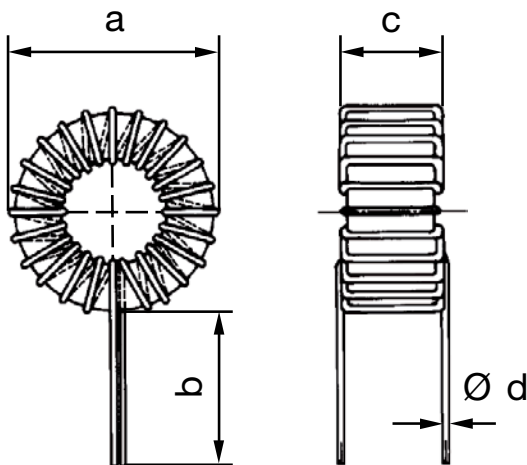
### Technical Data

	to 600 VDC
Rated Current	0.5 - 16A @ Ta 70 °C
Rated inductance	0.01 - 1 mH, Tol. ±15%
Power Operating Frequency	up to 1 MHz
Terminal Type	Wire leads
Weight	4 - 104 g

Isolation Voltage	2 kV eff., winding to ambient
Climatic Category	40/125/21 acc. to IEC 60068-1
Allowable Operation Temp.	-40 °C to 125 °C

Detailed information on product approvals, code requirements, usage instructions and detailed test conditions can be looked up in [General Product Information](#)

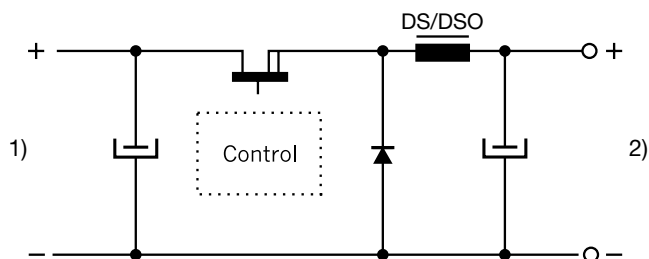
### Dimension



Dimensions: see table of variants

## Diagrams

## Switch-mode



- 1) Input  
2) DC output regulated

## All Variants

$I_n$ [A]	$L_n$ [mH]	$R_{cu}$ [mΩ]	$f_{RES}$ [MHz]	Inductance drop max [%]	A [mm]	B [mm]	C [mm]	D [mm]	Weight [g]	Packing unit [pcs.]	Order Number
0.5	0.8	800	0.8	15	15 mm	20 mm	7 mm	0.3 mm	4 g	200	DS01-175-0001
0.63	0.5	550	2.5	15	15 mm	20 mm	7 mm	0.3 mm	4 g	200	DS01-175-0002
0.63	1	750	1.7	15	19 mm	20 mm	8.5 mm	0.3 mm	7 g	300	DS01-20-0001
1	0.2	200	3.5	15	15 mm	20 mm	7 mm	0.4 mm	4 g	200	DS01-175-0003
1.4	0.1	100	4	20	15 mm	20 mm	7 mm	0.5 mm	4 g	200	DS01-175-0004
1.4	0.2	175	4.7	15	19 mm	20 mm	8.5 mm	0.4 mm	8 g	200	DS01-20-0002
1.4	0.5	200	1.5	20	23 mm	25 mm	9 mm	0.5 mm	13 g	200	DS01-25-0001
1.6	0.5	200	1.7	15	26 mm	25 mm	11 mm	0.5 mm	19 g	100	DS01-30-0001
2	0.2	120	3.3	20	23 mm	25 mm	9 mm	0.6 mm	12 g	200	DS01-25-0002
2	0.3	140	2.5	15	26 mm	25 mm	11 mm	0.5 mm	17 g	100	DS01-30-0002
2	1	190	1.2	20	39 mm	40 mm	14 mm	0.7 mm	55 g	35	DS01-40-0001
3	0.035	20	5	20	15 mm	20 mm	7 mm	0.8 mm	4 g	200	DS01-175-0005
3.15	0.04	33	13	15	19 mm	20 mm	8.5 mm	0.7 mm	8 g	200	DS01-20-0003
3.15	0.1	50	5.7	20	23 mm	25 mm	9 mm	0.8 mm	13 g	200	DS01-25-0003
3.15	0.15	70	3.5	15	26 mm	25 mm	11 mm	0.7 mm	19 g	100	DS01-30-0003
3.15	0.5	90	1.5	20	39 mm	40 mm	14 mm	0.8 mm	55 g	35	DS01-40-0002
3.15	1	180	0.8	20	43 mm	40 mm	18 mm	0.8 mm	104 g	50	DS01-48-0001
4	0.1	40	5	20	26 mm	25 mm	11 mm	0.8 mm	20 g	100	DS01-30-0004
4	0.2	55	3	20	39 mm	40 mm	14 mm	0.8 mm	52 g	50	DS01-40-0003
4	0.5	90	1.5	20	43 mm	40 mm	18 mm	0.9 mm	104 g	20	DS01-48-0002
5	0.3	75	1.5	20	43 mm	40 mm	18 mm	0.8 mm	104 g	20	DS01-48-0003
6	0.1	25	5	20	39 mm	40 mm	14 mm	1 mm	53 g	50	DS01-40-0004
6.3	0.01	8	33	15	19 mm	20 mm	8.5 mm	0.9 mm	9 g	300	DS01-20-0004
7	0.02	10	6.5	20	23 mm	25 mm	9 mm	1.3 mm	14 g	150	DS01-25-0004
9	0.1	20	4	20	43 mm	40 mm	18 mm	1.2 mm	104 g	250	DS01-48-0004
15	0.035	7	5	20	43 mm	40 mm	18 mm	1.8 mm	104 g	250	DS01-48-0005
16	0.16	12	2.5	20	44 mm	40 mm	34 mm	2 mm	104 g	100	DS01-48-0006

$R_{cu}$  at  $T_u$  20°C

Inductance drop at  $I_n$

Derating at  $T_u > 70^\circ\text{C}$ :  $I = I_n \times ((125 - T_u) / 55)^{0.5}$

Availability for all products can be searched real-time: <http://www.schurter.com/en/Stock-Check/Stock-Check-SCHURTER>